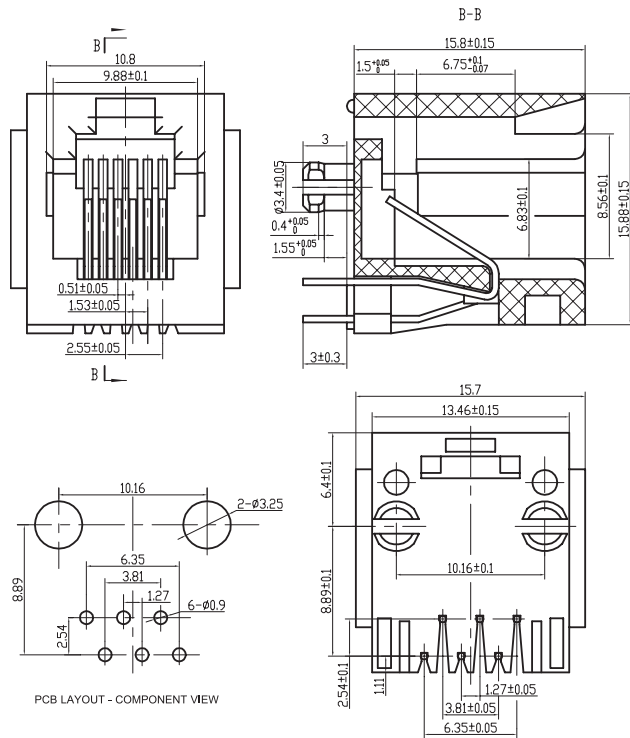


1 2 3 4 5



TECHNICAL CHARACTERISTICS

MATERIAL
 INSULATOR MATERIAL: GLASS FILLED PBT
 COLOUR: BLACK
 CONTACT MATERIAL: COPPER ALLOY
 CONTACT TYPE: STAMPED
 CONTACT PLATING: SELECTIVE GOLD
 QUALITY CLASS: 500 MATING CYCLES

ENVIRONMENTAL
 OPERATING TEMPERATURE: -25 °C UP TO 85 °C
 FLAMMABILITY RATING: UL94-V0
 COMPLIANCE: LEAD FREE AND ROHS

ELECTRICAL
 CURRENT RATING: 1.5 A
 WORKING VOLTAGE: 120 VAC
 INSULATION RESISTANCE: >500 mOHM
 DIELECTRIC WITHSTANDING VOLTAGE: 1 000 VAC/MN
 CONTACT RESISTANCE: 20 mOHM MAX

SOLDERING
 WAVE PROCESS ONLY

PACKAGING
 TRAY

A

B

C

RoHS Compliant

G			
F			
E			
D			
C	15-MAY-08	SOLDER PROCESS	CH
B	05-DEC-07	MODIFICATIONS	EC
A	21-NOV-07	PDF	EC
REV	DATE	FILE	BY

PROJECTION:	
APPROVAL: RJ	

GENERAL TOLERANCE	.X = + ₋ 0.2
	.XX = + ₋ 0.15
UNIT: MM	
SCALE:	
SHEET: 1/1	
DRAW:	

	DESCRIPTION: RJ11 VERTICAL
	WERI PART NO: 615006138521

SIZE
A4

D