

## FEATURES AND SPECIFICATIONS

### Features and Benefits

- Plug latch on top
- RJ45 meets category 5 for Fast Ethernet
- Industry compatible
- Lower electrical noise than LED offerings
- 34% fewer leads than LED offerings
- Enhanced panel grounding tabs on shield

### Reference Information

Product Specification: PS-43860-003  
 Packaging: Tray  
 UL File No.: E107635  
 CSA File No.: LR19980  
 Designed In: Inches

### Electrical

Voltage: 125V  
 Current: 1.5A  
 Contact Resistance: 10mΩ max.  
 Dielectric Withstanding Voltage: 1000V AC  
 Insulation Resistance: 500 MΩ min.

### Mechanical

Durability: 500 cycles

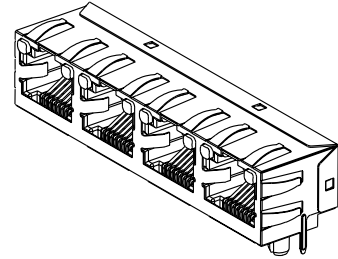
### Physical

Housing: Black Polyester, UL 94V-0  
 Plating: Contact Area—1.27μm (50μ") min. Gold  
 Solder Tail Area—1.27μm (50μ") min. Tin/Lead  
 Operating Temperature: -40 to +85°C

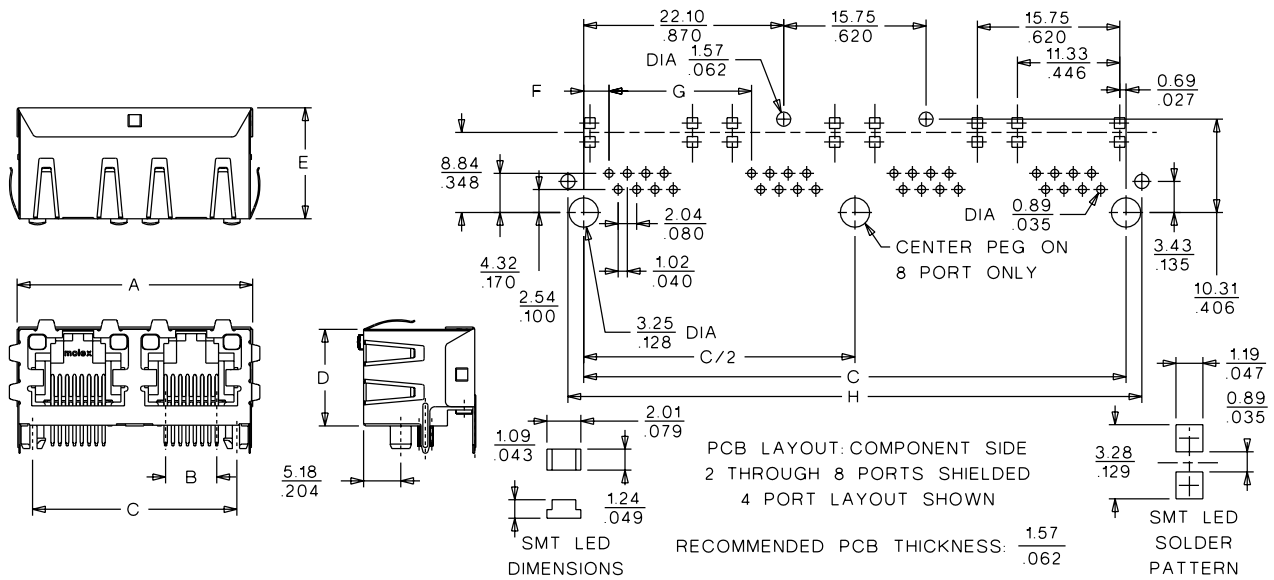


# 44248

## Ganged, Right Angle Low Profile Inverted Shielded and Unshielded Versions with Lightpipes



## CATALOG DRAWING (FOR REFERENCE ONLY)



## ORDERING INFORMATION AND DIMENSIONS

Circuits	Loaded Contacts	No. of Ports	Center peg	Order No.				Dimension							
				Unshielded		Shielded		A	B	C	D	E	F	G	H
				Press Fit	Snap Fit	Press Fit	Snap Fit								
6	4	2		44248-0018	44248-0010			31.75 (1.25)	3.03 (.120)	28.45 (1.120)	13.21 (.520)	14.99 (.590)	4.83 (.190)	15.75 (.620)	
	4	2				44248-0046	44248-0038	32.36 (1.27)	3.03 (.120)	28.45 (1.120)	13.45 (.530)	15.47 (.609)	4.83 (.190)	15.75 (.620)	31.95 (1.25)
	6	2		44248-0017	44248-0009			31.75 (1.25)	5.07 (.200)	28.45 (1.120)	13.21 (.520)	14.99 (.590)	3.81 (.150)	15.75 (.620)	
	6	2				44248-0045	44248-0037	32.36 (1.27)	5.07 (.200)	28.45 (1.120)	13.45 (.530)	15.47 (.609)	3.81 (.150)	15.75 (.620)	31.95 (1.25)
8	8	2		44248-0005	44248-0001			31.75 (1.25)	7.11 (.280)	28.45 (1.120)	13.21 (.520)	14.99 (.590)	2.79 (.110)	15.75 (.620)	
	8	2				44248-0033	44248-0029	32.36 (1.27)	7.11 (.280)	28.45 (1.120)	13.45 (.530)	15.47 (.609)	2.79 (.110)	15.75 (.620)	31.95 (1.25)
	8	4		44248-0006	44248-0002			63.25 (2.49)	7.11 (.280)	59.94 (2.360)	13.21 (.520)	14.99 (.590)	2.79 (.110)	15.75 (.620)	
	8	4				44248-0034	44248-0030	63.86 (2.51)	7.11 (.280)	59.94 (2.360)	13.45 (.530)	15.47 (.609)	2.79 (.110)	15.75 (.620)	63.44 (2.49)
	8	6		44248-0007	44248-0003			94.74 (3.73)	7.11 (.280)	91.44 (3.600)	13.21 (.520)	14.99 (.590)	2.79 (.110)	15.75 (.620)	
	8	6				44248-0035	44248-0031	95.35 (3.75)	7.11 (.280)	91.44 (3.600)	13.45 (.530)	15.47 (.609)	2.79 (.110)	15.75 (.620)	94.94 (3.73)
	8	8		44248-0110	44248-0109			126.24 (4.97)	7.11 (.280)	122.94 (4.840)	13.21 (.520)	14.99 (.590)	2.79 (.110)	15.75 (.620)	
	8	8				44248-0112	44248-0111	126.85 (4.99)	7.11 (.280)	122.94 (4.840)	13.45 (.530)	15.47 (.609)	2.79 (.110)	15.75 (.620)	126.44 (4.97)
	8	8	Yes	44248-0008	44248-0004			126.24 (4.97)	7.11 (.280)	122.94 (4.840)	13.21 (.520)	14.99 (.590)	2.79 (.110)	15.75 (.620)	
	8	8	Yes			44248-0036	44248-0032	126.85 (4.99)	7.11 (.280)	122.94 (4.840)	13.45 (.530)	15.47 (.609)	2.79 (.110)	15.75 (.620)	126.44 (4.97)