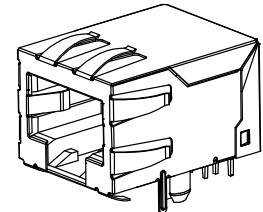


NOTES:
 1) MATERIAL:
 HOUSING: NYLON(IPA), GLASS FILLED, UL94V-0, COLOR: SEE SHEETS 5 AND 6
 INSULATOR: NYLON(IPA), GLASS FILLED, UL94V-0, COLOR: SEE SHEETS 5 AND 6
 TERMINALS: PHOSPHOR BRONZE, .012/ 0.30 THICK
 SHIELD: BRASS, .007/ 0.18 THICK
 2) FINISH:
 TERMINALS:
 A = SELECT GOLD IN CONTACT AREA: 50 MICROINCHES / 1.27 MICROMETERS MIN.,
 *SELECT TIN IN PC TAIL AREA: 100 MICROINCHES / 2.54 MICROMETERS MIN.,
 WITH OVERALL NICKEL UNDERPLATE: 50 MICROINCHES / 1.27 MICROMETERS MIN.
 B = SELECT GOLD IN CONTACT AREA: 30 MICROINCHES / 0.76 MICROMETERS MIN.,
 *SELECT TIN IN PC TAIL AREA: 100 MICROINCHES / 2.54 MICROMETERS MIN.,
 WITH OVERALL NICKEL UNDERPLATE: 50 MICROINCHES / 1.27 MICROMETERS MIN.
 *THE PRIMARY SHIPPING CARTON WILL BE LABELED "COMPLIANT TO RoHS
 DIRECTIVE 2002/95/EC AND ELV ANNEX II OF DIRECTIVE 2000/53/EC".
 CARTONS WITHOUT THIS LABEL MAY CONTAIN PRODUCT WITH TIN-LEAD
 IN THE PC TAILS AND/OR SHIELD.
 SHIELD:
 100 MICROINCHES / 2.54 MICROMETERS NICKEL OVER 50 MICROINCHES / 1.27
 MICROMETERS COPPER UNDERPLATE PCB GROUND TABS DIPPED IN TIN
 3) PRODUCT SPECIFICATION AND PROCESSING PARAMETERS: PS-43202.
 4) PACKAGING SPECIFICATION:
 UNSHIELDED CONNECTOR ASSEMBLIES PACKAGED IN THERMOFORMED TRAYS
 PER MOLEX PACKAGING SPECIFICATION PK-43202-003.
 UNSHIELDED CONNECTOR ASSEMBLIES PACKAGED IN TUBES
 PER MOLEX PACKAGING SPECIFICATION PK-43202-005.
 SHIELDED CONNECTOR ASSEMBLIES PACKAGED IN THERMOFORMED TRAYS
 PER MOLEX PACKAGING SPECIFICATION PK-43202-004.
 5) SEE SHEETS 7 - 9 FOR P.C. BOARD LAYOUTS.
 6) CONFORMS TO FCC REGULATION PART 68.5 FOR MODULAR JACKS.
 7) THIS PART CONFORMS TO CLASS B REQUIREMENTS OF COSMETIC
 SPECIFICATION PS-45499-002.



SHIELDED MODULAR JACK
 SHOWN WITH PANEL GROUND
 OPTION 'D' AND FRONT
 PCB GROUND TABS.

9	L2
8	L2
7	L2
6	L4
5	L
4	K2
3	L1
2	L1
1	L4
SH REV	

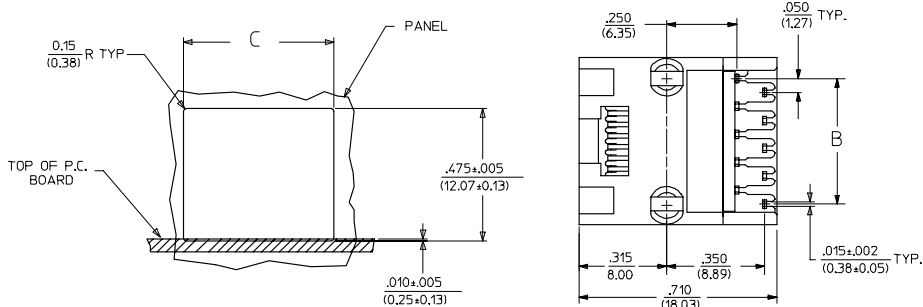
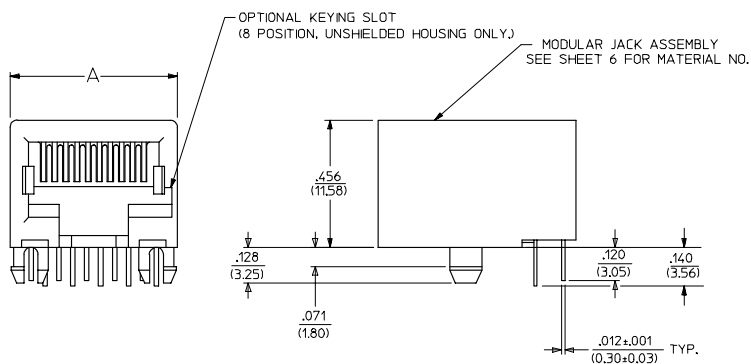
DRAWING LEGEND

- SHEET 1- NOTES, DRAWING LEGEND
- SHEET 2- SHIELDED MODULAR JACK W/ BOTTOM GROUND TABS
- SHEET 3- SHIELDED MODULAR JACK W/O BOTTOM GROUND TABS
- SHEET 4- UNSHIELDED MODULAR JACK
- SHEET 5- PART NUMBER CHARTS
- SHEET 6- PART NUMBER CHARTS
- SHEET 7- FOOTPRINT LAYOUT FOR 4 POSITION HOUSING
- SHEET 8- FOOTPRINT LAYOUT FOR 6 POSITION HOUSING
- SHEET 9- FOOTPRINT LAYOUT FOR 8 POSITION HOUSING

OBS COLORED JACKS EC NO: UCP2008-1169 DRAWN: BELL 2007/11/30 CHKD: SCHEIDT 2008/02/20 APPR: ESMITH 2008/03/04	QUALITY SYMBOLS ▽=0 ▽=0	GENERAL TOLERANCES (UNLESS SPECIFIED): mm INCH 4 PLACES ± --- ± --- 3 PLACES ± --- ± .010 2 PLACES ± 0.25 ± .014 1 PLACE ± 0.36 ± --- ANGULAR ± 1/2°	DIMENSION STYLE IN/MM DRAWN BY DATE JTR 1993/03/31 CHECKED BY DATE JTR 1993/03/31 APPROVED BY DATE RAS 1993/03/31	SCALE 4:1 DESIGN UNITS INCH THIRD ANGLE PROJECTION	TITLE ULTRA LOW PROFILE RIGHT ANGLE MODULAR JACK ASSEMBLY	MATERIAL NO. SEE SHTS 5&6 DOCUMENT NO. SDA-43202	SHEET NO. 1 OF 9
	DRAFT WHERE APPLICABLE MUST REMAIN WITHIN DIMENSIONS		THIS DRAWING CONTAINS INFORMATION THAT IS PROPRIETARY TO MOLEX INCORPORATED AND SHOULD NOT BE USED WITHOUT WRITTEN PERMISSION		MOLEX MOLEX INCORPORATED		
	L4		SIZE C				
	REV						

UNSHIELDED MODULAR JACKS

SIZE 8, LOADED 10 SHOWN



HOUSING SIZE	LOADED CIRCUITS	A	B	C
C	4	.440 (11.18)	.150±.005 (3.81±0.13)	.460±.005 (11.68±0.13)
	2	.440 (11.18)	.050±.005 (1.27±0.13)	.460±.005 (11.68±0.13)
B	6	.520 (13.21)	.250±.005 (6.35±0.13)	.540±.005 (13.72±0.13)
	4	.520 (13.21)	.150±.005 (3.81±0.13)	.540±.005 (13.72±0.13)
A	8	.600 (15.24)	.450±.005 (11.43±0.13)	.620±.005 (15.75±0.13)
	2	.600 (15.24)	.050±.005 (1.27±0.13)	.620±.005 (15.75±0.13)

SEE SHEET ONE E.C. NO. UCF2004-1194 DRAWN: SCHMIDT 2004/01/02 CHECKED: SCHMIDT 2004/01/03 APPROVED: SMITH 2004/01/03 KZ	QUALITY SYMBOLS ◀ - 0 ▷ - 0	GENERAL TOLERANCES (UNLESS SPECIFIED) 4 PLACES ± --- ± --- 3 PLACES ± --- ± .010 2 PLACES ± 0.25 ± .014 1 PLACE ± 0.36 ± --- ANGULAR ±1/2° DRAFT WHERE APPLICABLE MUST REMAIN WITHIN DIMENSIONS	SCALE 4:1 DESIGN UNITS INCH DIMENSION STYLE IN/MM DRAWN BY JTR DATE 1993/03/31 CHECKED BY JTR DATE 1993/03/31 APPROVED BY RAS DATE 1993/03/31	THIRD ANGLE PROJECTION REVISE ON CAD ONLY TITLE ULTRA LOW PROFILE RIGHT ANGLE MODULAR JACK ASSEMBLY MOLEX MOLEX INCORPORATED MATERIAL NO. SEE SHT 6 DOCUMENT NO. SDA-43202 SHEET NO. 4 OF 9
	THIS DRAWING CONTAINS INFORMATION THAT IS PROPRIETARY TO MOLEX INCORPORATED AND SHOULD NOT BE USED WITHOUT WRITTEN PERMISSION			
	THIS DRAWING CONTAINS INFORMATION THAT IS PROPRIETARY TO MOLEX INCORPORATED AND SHOULD NOT BE USED WITHOUT WRITTEN PERMISSION			
	THIS DRAWING CONTAINS INFORMATION THAT IS PROPRIETARY TO MOLEX INCORPORATED AND SHOULD NOT BE USED WITHOUT WRITTEN PERMISSION			

SHIELDED MODULAR JACKS W/O BOTTOM GROUND TABS (SHEET 3)								UNSHIELDED MODULAR JACKS- (SHEET 4)							
ASSEMBLY MATERIAL NUMBER	CONNECTOR SIZE	NUMBER OF CIRCUITS	SIDE/TOP PANEL GROUND TAB OPTION	PCB GROUND TAB OPTION	TERMINAL PLATING OPTION	PACKAGING	HOUSING COLOR	ASSEMBLY MATERIAL NUMBER	CONNECTOR SIZE	NUMBER OF CIRCUITS	TERMINAL PLATING OPTION	KEYING OPTION	PACKAGING OPTION	HOUSING COLOR	
43202-8800	8	10	E	FRONT POSITION	A	TRAY	BLACK	43202-4101	4	4	A	NO	TRAY	BLACK	
43202-8801	8	10	F	FRONT POSITION	A	TRAY		43202-4104	4	2	A	NO	TRAY		
43202-8802	8	10	G	FRONT POSITION	A	TRAY		43202-6101	6	6	A	NO	TRAY		
43202-8803	8	10	H	FRONT POSITION	A	TRAY		43202-6102	6	6	B	NO	TRAY		
43202-8808	8	10	E	REAR POSITION	A	TRAY		43202-6104	6	4	A	NO	TRAY		
43202-8809	8	10	F	REAR POSITION	A	TRAY		43202-6105	6	4	B	NO	TRAY		
43202-8810	8	10	G	REAR POSITION	A	TRAY		43202-6107	6	2	A	NO	TRAY		
43202-8811	8	10	H	REAR POSITION	A	TRAY		43202-6110	6	6	B	NO	TUBE		
43202-8816	8	8	E	FRONT POSITION	A	TRAY		43202-8101	8	10	A	NO	TRAY		
43202-8817	8	8	F	FRONT POSITION	A	TRAY		43202-8104	8	8	A	NO	TRAY		
43202-8818	8	8	G	FRONT POSITION	A	TRAY		43202-8105	8	8	B	NO	TRAY		
43202-8819	8	8	H	FRONT POSITION	A	TRAY		43202-8113	8	8	A	YES	TRAY		
43202-8824	8	8	E	REAR POSITION	A	TRAY		43202-8116	8	6	A	NO	TRAY		
43202-8825	8	8	F	REAR POSITION	A	TRAY		43202-8119	8	4	A	NO	TRAY		
43202-8826	8	8	G	REAR POSITION	A	TRAY		43202-8122	8	2	A	NO	TRAY		
43202-8827	8	8	H	REAR POSITION	A	TRAY		43202-8504	8	8	A	NO	TUBE		
									43202-8513	8	8	A	YES		TUBE

OBS COLORED JACKS EC NO: UCP2008-1189 DRAWN: BELL 2007/11/30 CHKD: SCHMIDT 2008/02/20 APPR: SMITH 2008/03/04	QUALITY SYMBOLS	GENERAL TOLERANCES (UNLESS SPECIFIED)	DIMENSION STYLE	SCALE	DESIGN UNITS	THIRD ANGLE PROJECTION
	▽=0	mm INCH	IN/MM	4:1	INCH	
	▽=0	4 PLACES ± --- ± ---	DRAWN BY DATE	TITLE		
		3 PLACES ± --- ± .010	JBS 2000/10/03	ULTRA LOW PROFILE RIGHT ANGLE MODULAR JACK ASSEMBLY		
	2 PLACES ± 0.25 ± .014	CHECKED BY DATE	MATERIAL NO. DOCUMENT NO.			
	1 PLACE ± 0.36 ± ---	BW 2000/10/03	MOLEX INCORPORATED			
	ANGULAR ± 1/2°	APPROVED BY DATE	SEE CHART SDA-43202			
		BW 2000/10/03	SHEET NO. 6 OF 9			
			THIS DRAWING CONTAINS INFORMATION THAT IS PROPRIETARY TO MOLEX INCORPORATED AND SHOULD NOT BE USED WITHOUT WRITTEN PERMISSION			

lb_frame_C_P_ME_T
Rev. E 2006/04/15

13

12

11

10

9

8

7

6

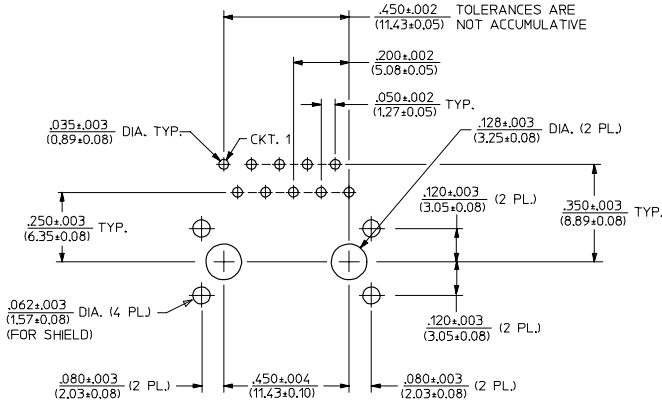
5

4

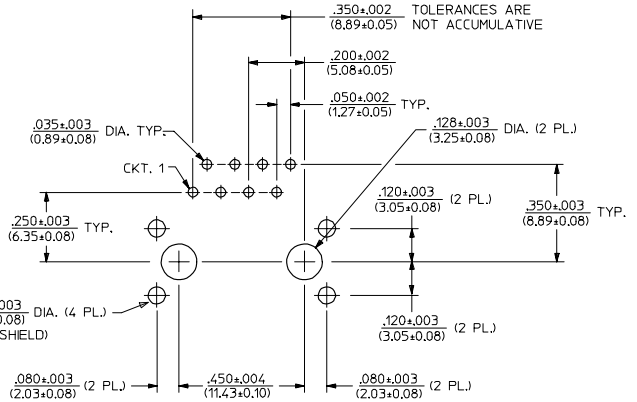
3

2

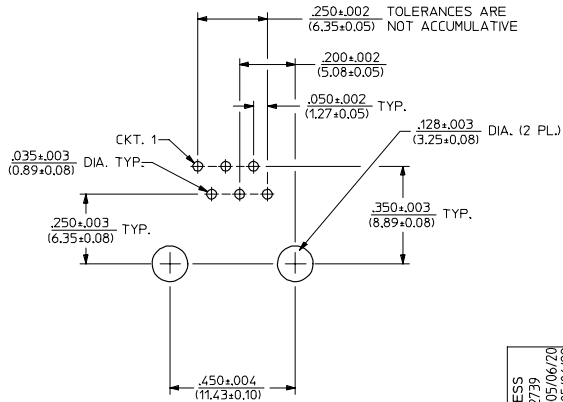
43202



PC BOARD LAYOUT FOR 8 POSITION HOUSING
(10 CIRCUIT FOOTPRINT SHOWN)
(COMPONENT SIDE OF BOARD)



PC BOARD LAYOUT FOR 8 POSITION HOUSING
(8 CIRCUIT FOOTPRINT SHOWN)
(COMPONENT SIDE OF BOARD)



PC BOARD LAYOUT FOR 8 POSITION HOUSING
(16 CIRCUIT FOOTPRINT SHOWN)
(COMPONENT SIDE OF BOARD)

NOTES:
1. RECOMMENDED PCB THICKNESS: .062±.005/(1.57±0.13)

ADD PCB THICKNESS EC NO. UJF2005-2739 DRAWN: SCHMIDT, 2005/06/20 CHKD: BELHAG, 2005/06/22 APPR: F. SMITH, 2005/06/23 L2	QUALITY SYMBOLS	GENERAL TOLERANCES (UNLESS SPECIFIED)	SCALE 4:1	DESIGN UNITS INCH	THIRD ANGLE PROJECTION	REVISE ON CAD ONLY															
	-0 -0	<table border="1"> <tr> <th></th> <th>mm</th> <th>INCH</th> </tr> <tr> <td>4 PLACES</td> <td>±.010</td> <td>±.0004</td> </tr> <tr> <td>3 PLACES</td> <td>±.015</td> <td>±.0006</td> </tr> <tr> <td>2 PLACES</td> <td>±.025</td> <td>±.0010</td> </tr> <tr> <td>1 PLACE</td> <td>±.036</td> <td>±.0014</td> </tr> </table>		mm	INCH	4 PLACES	±.010	±.0004	3 PLACES	±.015	±.0006	2 PLACES	±.025	±.0010	1 PLACE	±.036	±.0014	DIMENSION STYLE IN/MM	DRAWN BY L.E. LENZ	DATE 1995/03/09	TITLE
			mm	INCH																	
		4 PLACES	±.010	±.0004																	
3 PLACES	±.015	±.0006																			
2 PLACES	±.025	±.0010																			
1 PLACE	±.036	±.0014																			
DRAFT WHERE APPLICABLE MUST REMAIN WITHIN DIMENSIONS	CHECKED BY JTR	DATE 1995/03/09	ULTRA LOW PROFILE RIGHT ANGLE MODULAR JACK ASSEMBLY MOLEX INCORPORATED																		
REV	APPROVED BY RAS	DATE 1995/03/09	MATERIAL NO. SEE SHTS 5&6	DOCUMENT NO. SDA-43202	SHEET NO. 9 OF 9																

td_frame_C_P_ME_T
Rev. C 2002/05/05

12

11

10

9

8

7

6

5

4

3

2

1