

FEATURES AND SPECIFICATIONS

Features and Benefits

- Ultra low profile
- Enhanced panel grounding tabs on shielding RJ-45 configuration
- Enclosed top
- Surface Mount Compatible materials
- Pin through paste solderability
- 100% tested for hi-pot and continuity

Reference Information

Product Specification: PSX-43202

Packaging: Tray

UL File No.: E107635

CSA File No.: LR19980

Use with: FCC 68 Plugs

Designed in: Inches

Electrical

Voltage: 125V

Current: 1.5A

Contact Resistance: 10mΩ max.

Dielectric Withstanding Voltage: 1000V AC

Insulation Resistance: 500 MΩ min.

Mechanical Durability: 500 Cycles min.

Physical

Housing: Black glass-filled nylon, UL 94V-0

Contact: Phosphor Bronze

Plating: Contact Area—Post plate 1.27 to 1.52μm (50 to 60μ") Gold

Tail Area—1.90μm (75μ") min. Tin/Lead

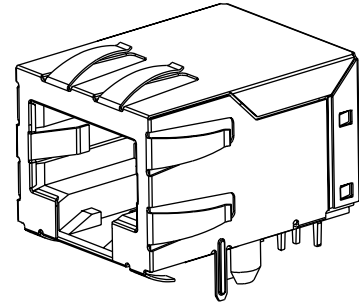
Underplating—Nickel

Operating Temperature: -40 to +85°C

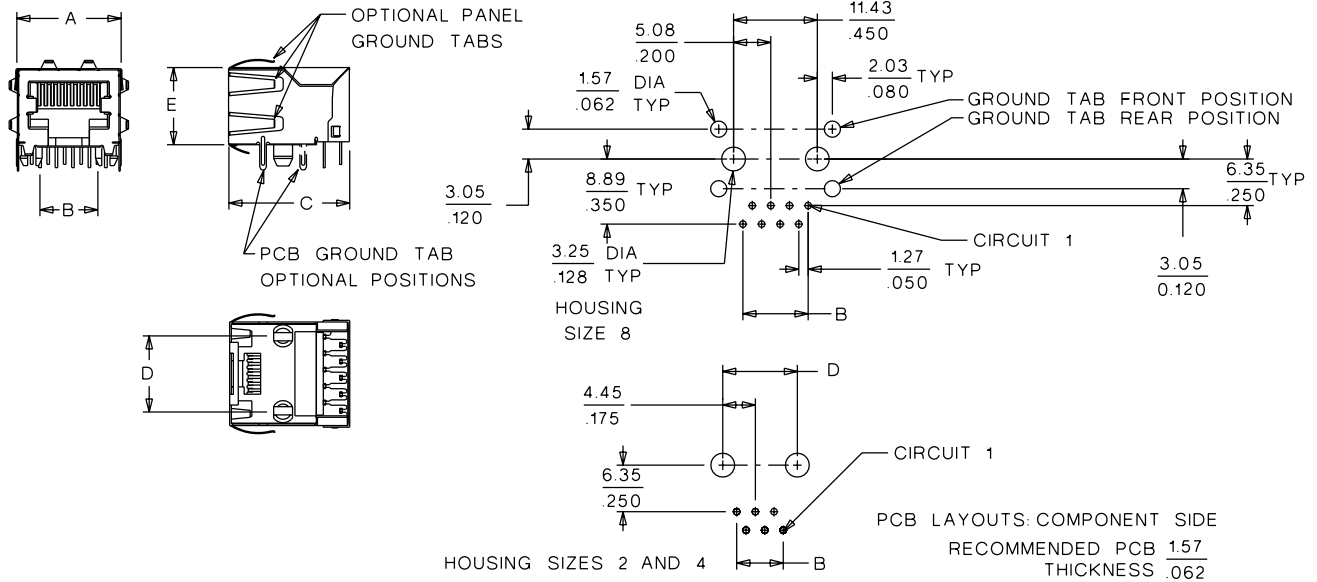
molex® Modular Jack

43202

Right Angle, Low Profile Shielded and Unshielded Versions



CATALOG DRAWING (FOR REFERENCE ONLY)



Modular Plugs and Jacks

0

ORDERING INFORMATION AND DIMENSIONS

Circuits	Loaded Contacts	Shield Panel Ground Tab Option	Order No.		Dimension					
			Unshielded	Shielded		A	B	C	D	E
				Front Position PCB Ground Tab	Rear Position PCB Ground Tab					
4	2		43202-4104		11.18 (.440)	1.27 (.050)	18.03 (.710)	7.62 (.300)	11.58 (.456)	
	4		43202-4101		11.18 (.440)	3.81 (.150)	18.03 (.710)	7.62 (.300)	11.58 (.456)	
6	2		43202-6107		13.21 (.520)	1.27 (.050)	18.03 (.710)	10.16 (.400)	11.58 (.456)	
	4		43202-6104		13.21 (.520)	3.81 (.150)	18.03 (.710)	10.16 (.400)	11.58 (.456)	
	6		43202-6101		13.21 (.520)	6.35 (.250)	18.03 (.710)	10.16 (.400)	11.58 (.456)	
8	8		43202-8104		15.24 (.600)	8.89 (.350)	18.03 (.710)	11.43 (.450)	11.58 (.456)	
	8	All Panel Ground Tabs	43202-8919	43202-8927	15.85 (.624)	8.89 (.350)	18.39 (.724)	11.43 (.450)	12.09 (.476)	
	8	Offset Panel Ground Tabs	43202-8918	43202-8926	15.85 (.624)	8.89 (.350)	18.39 (.724)	11.43 (.450)	12.09 (.476)	
	8	Top Panel Ground Tabs	43202-8917	43202-8925	15.85 (.624)	8.89 (.350)	18.39 (.724)	11.43 (.450)	12.09 (.476)	
	8	No Panel Ground Tabs	43202-8916	43202-8924	15.85 (.624)	8.89 (.350)	18.39 (.724)	11.43 (.450)	12.09 (.476)	
	10		43202-8101		15.24 (.600)	11.43 (.450)	18.03 (.710)	11.43 (.450)	11.58 (.456)	
	10	All Panel Ground Tabs	43202-8903	43202-8911	15.85 (.624)	11.43 (.450)	18.39 (.724)	11.43 (.450)	12.09 (.476)	
	10	Offset Panel Ground Tabs	43202-8902	43202-8910	15.85 (.624)	11.43 (.450)	18.39 (.724)	11.43 (.450)	12.09 (.476)	
	10	Top Panel Ground Tabs	43202-8901	43202-8909	15.85 (.624)	11.43 (.450)	18.39 (.724)	11.43 (.450)	12.09 (.476)	
	10	No Panel Ground Tabs	43202-8900	43202-8908	15.85 (.624)	11.43 (.450)	18.39 (.724)	11.43 (.450)	12.09 (.476)	