

INTEGRATED CONNECTOR MODULES

0862-1J1T-43-F Gigabit Ethernet MagJack® Combo with LEDs



LED1 POLARITY			LED2 POLARITY			
PIN 11	PIN 12	COLOR	PIN 15	PIN 14	PIN 13	COLOR
-	+	YELLOW	-	+	-	ORANGE
-	+	YELLOW	-	+	-	GREEN
-	+	YELLOW	-	+	-	MIXED YELLOW

ELECTRICAL CHARACTERISTICS @ 25°C

URNS RATIO
 TP1 1CT : 1CT ±2%
 TP2 1CT : 1CT ±2%
 TP3 1CT : 1CT ±2%
 TP4 1CT : 1CT ±2%

DCL @ 100kHz/100mVRMS
 8mA DC BIAS 350µH MIN.

INS. LOSS
 1MHz TO 100MHz -1.2 dB MAX
RET. LOSS (MIN) @ 100OHMS ±15%
 0.5MHz-40MHz -18 dB
 40MHz-100MHz -12+20LOG(f/80MHz) dB

Cross Talk
 Ch1-Ch2, Ch2-Ch3, Ch3-Ch4, Ch4-Ch1, Ch2-Ch4, Ch3-Ch1
 1MHz - 30MHz -35dB MIN
 30MHz - 80MHz -24dB MIN
 80MHz - 100MHz -25dB MIN

CM TO CM REJ
 100kHz - 100MHz -30 dB MIN
CM TO DM REJ
 100kHz - 100MHz -35 dB MIN
HIPOT (Isolation Voltage)
 1500 Vrms or 2250 VDC

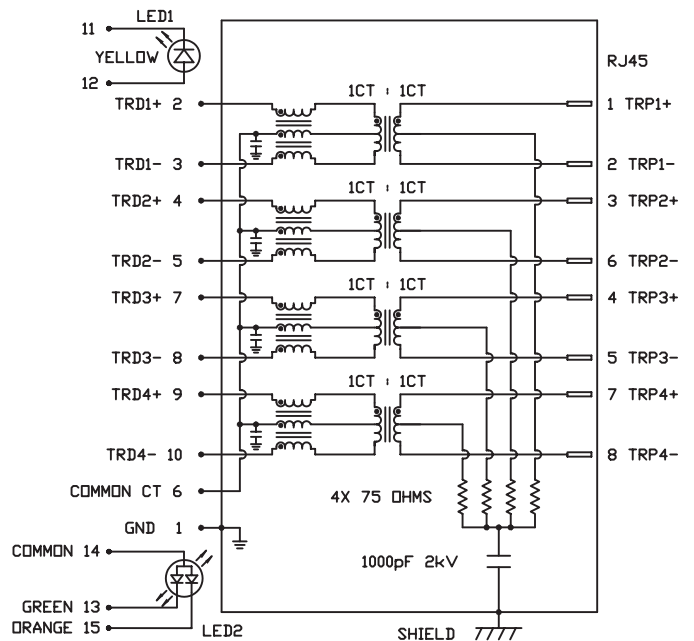
100% OF PRODUCT TESTED IN PRODUCTION

LED 1
 VF (FORWARD VOLTAGE) IF=20mA YELLOW 2.1V TYP.
 λD (DOMINANT WAVELENGTH) IF=20mA YELLOW 590nm TYP.

LED 2
 VF (FORWARD VOLTAGE) IF=20mA YELLOW GREEN 2.2V TYP.
 AMBER 2.1V TYP.
 λD (DOMINANT WAVELENGTH) IF=20mA YELLOW GREEN 570nm TYP.
 AMBER 607nm TYP.

MIXED YELLOW DOES NOT HAVE SPECIFIC WAVELENGTH.

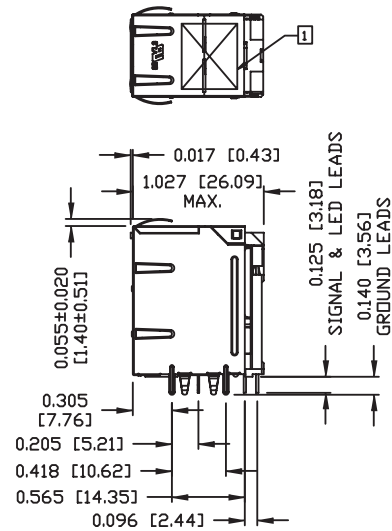
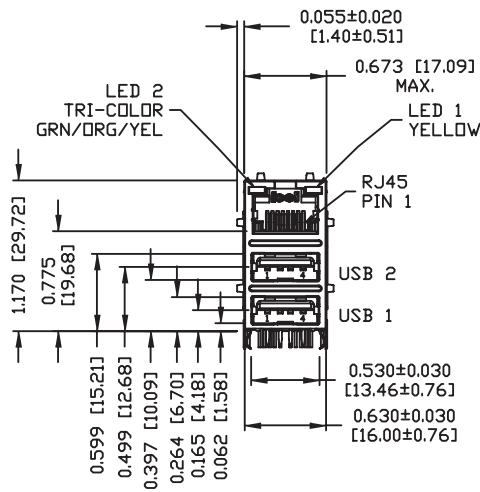
USB ELECTRICAL:
 INSULATION RESISTANCE: 1000 MEGA Ω (MIN)
 CONTACT RESISTANCE: 25 MILLI Ω (MAX)
 DIELECTRIC WITHSTANDING: 750 VAC



INTEGRATED CONNECTOR MODULES
0862-1J1T-43-F Gigabit Ethernet MagJack® Combo with LEDs



MECHANICAL SPECIFICATION



RJ45 MECHANICAL:

PLASTIC HOUSING: THERMOPLASTIC PBT
 FLAMMABILITY RATING UL 94V-0
 CONTACT PLATING: 30 MICRO-INCH HARD GOLD PLATING
 PINS: TIN-COATED COPPER WIRE, DIA 0.018 INCH.
 METAL SHIELD: NICKEL PLATED ON COPPER ALLOY.
 (ALL GROUND LEADS ARE SOLDER DIPPED)

☐ MARK PART WITH MFG LOGO, MFG NAME, PART NUMBER, AND DATE CODE.

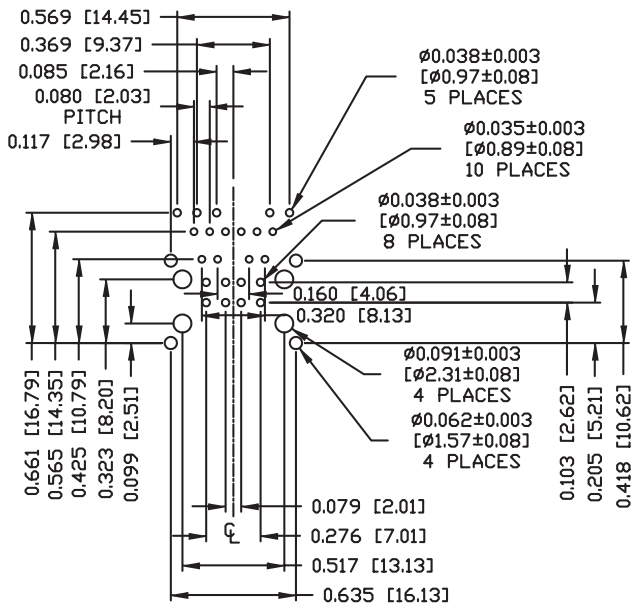
2. RoHS COMPLIANCE, PER EU DIRECTIVE 2002/95/EC.

• UL RECOGNIZED - FILE #E196366 AND E169987.

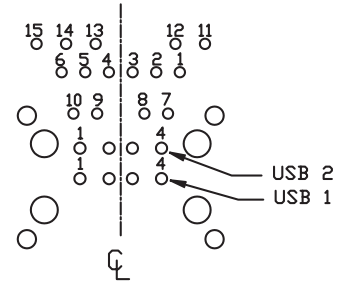
USB MECHANICAL:

MATING FORCE: 35 NEWTONS MAXIMUM
 UNMATING FORCE: 10 NEWTONS MINIMUM
 CONTACT: PROSPER BRONZE,
 30 MICRO-INCH GOLD PLATING
 ON CONTACT AREA AND LEAD-FREE
 TIN ON SOLDER TAIL.

INTEGRATED CONNECTOR MODULES
0862-1J1T-43-F Gigabit Ethernet MagJack® Combo with LEDs

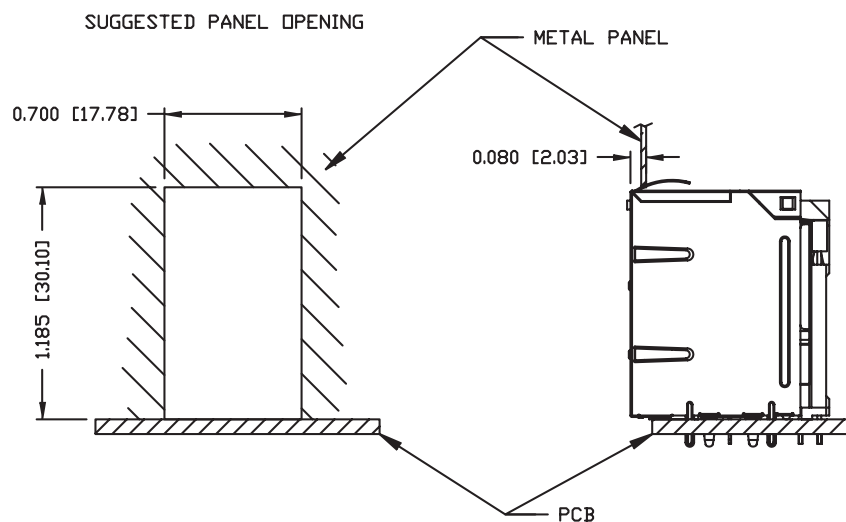


RECOMMENDED PCB FOOTPRINT
 COMPONENT SIDE VIEW



PIN ASSIGNMENT
 SCALE 3/2

INTEGRATED CONNECTOR MODULES
0862-1J1T-43-F Gigabit Ethernet MagJack® Combo with LEDs



NOTE:
 THE DISTANCE OF PANEL INSIDE SURFACE RELATIVE TO FRONT SURFACE OF PART IS ONLY A SUGGESTION.
 IN CASE THIS DISTANCE IS DIFFERENT, THE REQUIRED PANEL OPENING DIMENSIONS CHANGE ACCORDINGLY.

PACKING INFORMATION

PACKING TRAY : 0200-9999-A3

PACKING QUANTITY : 42 PCS FINISHED GOODS PER TRAY

10 TRAYS (420PCS FINISHED GOODS) PER CARTON BOX

NOTE : CARDBOARDS ARE PLACED BETWEEN LAYERS OF PACKING TRAY INSIDE CARTON BOX
 (INCLUDE THE UPPERMOST AND LOWERMOST TRAY)