



ALL RIGHTS RESERVED. NO PORTION OF THIS PUBLICATION, WHETHER IN WHOLE OR IN PART, CAN BE REPRODUCED WITHOUT THE EXPRESS WRITTEN CONSENT OF SPC TECHNOLOGY.

SPC-F005.DWG

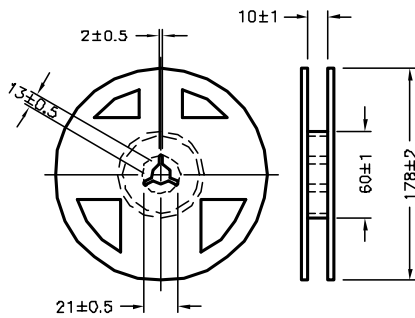
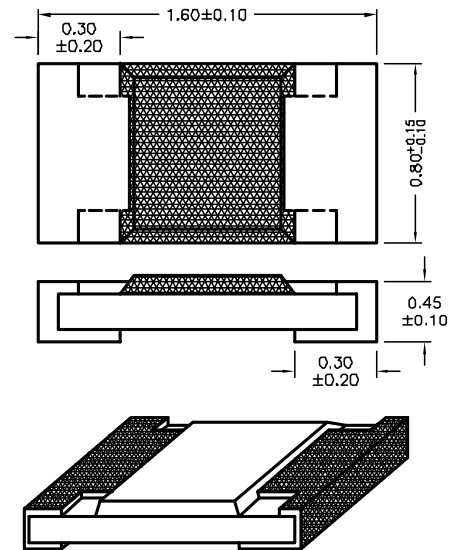
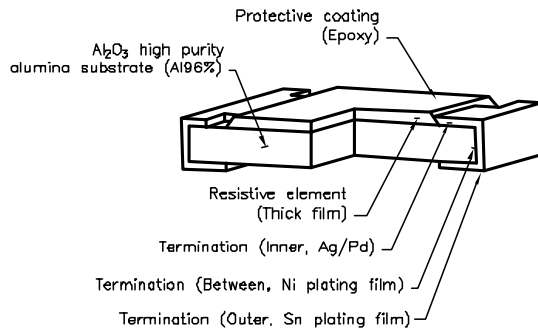
REVISIONS

DOC. NO. SPC-F005 \* Effective: 7/8/02 \* DCP No: 1308

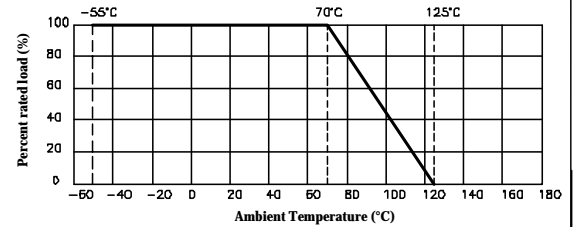
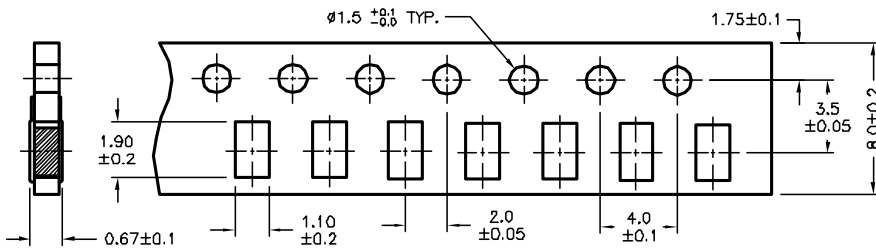
DCP #	REV	DESCRIPTION	DRAWN	DATE	CHECKD	DATE	APPRVD	DATE
1861	A	RELEASED	EYO	11/04/05	HO	11/7/05	JWM	11/7/05
2002	B	Change to Resistive Element	JN	11/20/08	JWM	11/20/08	JWM	11/20/08

Specifications:

- Power Rating: 1/16 Watt
- Tolerance: 1%
- Max. Working Voltage: 50 V
- Max. Overload Voltage: 100 V
- Temperature Range: -55°C ~ +125°C
- Ambient Temperature: 70°C
- Resistance Range: 10Ω ~ 1MΩ



Tape & Reel Dimension



DISCLAIMER: ALL STATEMENTS AND TECHNICAL INFORMATION CONTAINED HEREIN ARE BASED UPON INFORMATION AND/OR TESTS WE BELIEVE TO BE ACCURATE AND RELIABLE. SINCE CONDITIONS OF USE ARE BEYOND OUR CONTROL, THE USER SHALL DETERMINE THE SUITABILITY OF THE PRODUCT FOR THE INTENDED USE AND ASSUME ALL RISK AND LIABILITY WHATSOEVER IN CONNECTION THEREWITH.

TOLERANCES: UNLESS OTHERWISE SPECIFIED, DIMENSIONS ARE FOR REFERENCE PURPOSES ONLY.

DRAWN BY:	DATE:
EKLAS ODISH	11/04/05
CHECKED BY:	DATE:
HISHAM ODISH	11/7/05
APPROVED BY:	DATE:
JEFF MCVICKER	11/7/05

DRAWING TITLE:			
RoHS Compliant Thick Film Chip Resistors, EIA Size 0603, 1/16 Watt			
SIZE	DWG. NO.	ELECTRONIC FILE	REV
A	TA-679	TA-679.DWG	B
SCALE:	NTS	U.Q.M.: Millimeters	SHEET: 1 OF 5

## Performance specification

Characteristics	Limits	Test Methods (JIS - C - 5201-1)															
Temperature coefficient	$10\Omega-100\Omega \leq \pm 200 \text{ PPM}/^\circ\text{C}$ $101\Omega-1\text{M}\Omega \leq \pm 100 \text{ PPM}/^\circ\text{C}$	5.2 Natural resistance change per temp. degree centigrade $\frac{R2-R1}{R1(t2-t1)} \times 10^6 \text{ (PPM}/^\circ\text{C)}$ R1: Resistance value at room temperature (t1) R2: Resistance value at room temp. plus 100°C (t2)															
Short time overload	Resistance change rate is: $\pm (1.0\% + 0.1\Omega) \text{ Max.}$	5.5 Permanent resistance change after the application of a potential of 2.5 times RCWV for 5 seconds															
Insulation resistance	1,000 MΩ or more	5.6 Apply 500V DC between protective coating and termination for 1 min, then measure															
Dielectric withstanding voltage	No evidence of flashover mechanical damage, arcing or insulation break down	5.7 Apply 500V AC between protective coating and termination for 1 minute															
Terminal bending	$\pm (1.0\% + 0.05\Omega) \text{ Max.}$	6.1.4 Twist of Test Board: Y/X = 5/90 mm for 10 seconds															
Temperature cycling	$\pm (0.5\% + 0.05\Omega) \text{ Max.}$	7.4 Resistance change after continuous 5 cycles for duty cycle specified below: <table border="1" style="margin-left: auto; margin-right: auto;"> <thead> <tr> <th>Step</th> <th>Temperature</th> <th>Time</th> </tr> </thead> <tbody> <tr> <td>1</td> <td>-55°C ±3°C</td> <td>30 mins</td> </tr> <tr> <td>2</td> <td>Room temp.</td> <td>10 ~ 15 mins</td> </tr> <tr> <td>3</td> <td>-125°C ±2°C</td> <td>30 mins</td> </tr> <tr> <td>4</td> <td>Room temp.</td> <td>10 ~ 15 mins</td> </tr> </tbody> </table>	Step	Temperature	Time	1	-55°C ±3°C	30 mins	2	Room temp.	10 ~ 15 mins	3	-125°C ±2°C	30 mins	4	Room temp.	10 ~ 15 mins
Step	Temperature	Time															
1	-55°C ±3°C	30 mins															
2	Room temp.	10 ~ 15 mins															
3	-125°C ±2°C	30 mins															
4	Room temp.	10 ~ 15 mins															
Load life in humidity	Resistance change rate is $\pm (1.0\% + 0.1\Omega) \text{ Max.}$	7.9 Resistance change after 1,000 hours (1.5 hours "on", 0.5 hour "off") at RCWV in a humidity chamber controlled at 40°C ±2°C and 90 to 95 % relative humidity															
Load Life	Resistance change rate is $\pm (1.0\% + 0.1\Omega) \text{ Max.}$	7.10 Permanent resistance change after 1,000 hours operating at RCWV, with duty cycle of (1.5 hours"on", 0.5 hour "off") at 70°C ±2°C ambient															
Soldering Heat	Electrical characteristics shall be satisfied. Without distinct deformation in appearance.	<u>Solder bath method</u> Pre-heat: 100 to 105°C, 30 ± 5 sec Temperature: 265 ± 3°C, 5 + 1/-0 sec. <u>Reflow soldering method</u> Peak: 250 + 5/-0°C 230 °C or higher 30 ± 10 sec. <u>soldering iron method</u> Bit temperature: 350 ± 10°C Application time of soldering iron : 3+ 1/-0 sec.															
Solderability	95 % coverage Min.	6.5 Test temperature of solder : 245 °C ± 3°C Dipping them solder : 2 - 3 seconds															

ALL RIGHTS RESERVED. NO PORTION OF THIS PUBLICATION, WHETHER IN WHOLE OR IN PART CAN BE REPRODUCED WITHOUT THE EXPRESS WRITTEN CONSENT OF SPC TECHNOLOGY.

SIZE	DWG. NO.	ELECTRONIC FILE	REV
A	TA-679	TA-679.DWG	A
SCALE: NTS		U.O.M.: Millimeters	SHEET: 2 OF 5

SPC-F005.DWG

DOC. NO. SPC-F005 \* Effective: 7/8/02 \* DCP No: 1398

Multicomp Type No	Resistance	Real Size
MC0603WGF100JT5E-TC	10 ohm	Sold by Each
MC0603WGF100JT5E-TR	10 ohm	Sold in Tape and Reel (5000)
MC0603WGF110JT5E-TC	11 ohm	Sold by Each
MC0603WGF110JT5E-TR	11 ohm	Sold in Tape and Reel (5000)
MC0603WGF120JT5E-TC	12 ohm	Sold by Each
MC0603WGF120JT5E-TR	12 ohm	Sold in Tape and Reel (5000)
MC0603WGF150JT5E-TC	15 ohm	Sold by Each
MC0603WGF150JT5E-TR	15 ohm	Sold in Tape and Reel (5000)
MC0603WGF160JT5E-TC	16 ohm	Sold by Each
MC0603WGF160JT5E-TR	16 ohm	Sold in Tape and Reel (5000)
MC0603WGF180JT5E-TC	18 ohm	Sold by Each
MC0603WGF180JT5E-TR	18 ohm	Sold in Tape and Reel (5000)
MC0603WGF200JT5E-TC	20 ohm	Sold by Each
MC0603WGF200JT5E-TR	20 ohm	Sold in Tape and Reel (5000)
MC0603WGF220JT5E-TC	22 ohm	Sold by Each
MC0603WGF220JT5E-TR	22 ohm	Sold in Tape and Reel (5000)
MC0603WGF240JT5E-TC	24 ohm	Sold by Each
MC0603WGF240JT5E-TR	24 ohm	Sold in Tape and Reel (5000)
MC0603WGF270JT5E-TC	27 ohm	Sold by Each
MC0603WGF270JT5E-TR	27 ohm	Sold in Tape and Reel (5000)
MC0603WGF300JT5E-TC	30 ohm	Sold by Each
MC0603WGF300JT5E-TR	30 ohm	Sold in Tape and Reel (5000)
MC0603WGF330JT5E-TC	33 ohm	Sold by Each
MC0603WGF330JT5E-TR	33 ohm	Sold in Tape and Reel (5000)
MC0603WGF360JT5E-TC	36 ohm	Sold by Each
MC0603WGF360JT5E-TR	36 ohm	Sold in Tape and Reel (5000)
MC0603WGF390JT5E-TC	39 ohm	Sold by Each
MC0603WGF390JT5E-TR	39 ohm	Sold in Tape and Reel (5000)
MC0603WGF430JT5E-TC	43 ohm	Sold by Each
MC0603WGF430JT5E-TR	43 ohm	Sold in Tape and Reel (5000)
MC0603WGF470JT5E-TC	47 ohm	Sold by Each
MC0603WGF470JT5E-TR	47 ohm	Sold in Tape and Reel (5000)
MC0603WGF510JT5E-TC	51 ohm	Sold by Each
MC0603WGF510JT5E-TR	51 ohm	Sold in Tape and Reel (5000)
MC0603WGF560JT5E-TC	56 ohm	Sold by Each
MC0603WGF560JT5E-TR	56 ohm	Sold in Tape and Reel (5000)
MC0603WGF620JT5E-TC	62 ohm	Sold by Each
MC0603WGF620JT5E-TR	62 ohm	Sold in Tape and Reel (5000)
MC0603WGF680JT5E-TC	68 ohm	Sold by Each
MC0603WGF680JT5E-TR	68 ohm	Sold in Tape and Reel (5000)
MC0603WGF750JT5E-TC	75 ohm	Sold by Each
MC0603WGF750JT5E-TR	75 ohm	Sold in Tape and Reel (5000)
MC0603WGF820JT5E-TC	82 ohm	Sold by Each
MC0603WGF820JT5E-TR	82 ohm	Sold in Tape and Reel (5000)
MC0603WGF910JT5E-TC	91 ohm	Sold by Each
MC0603WGF910JT5E-TR	91 ohm	Sold in Tape and Reel (5000)
MC0603WGF1000T5E-TC	100 ohm	Sold by Each
MC0603WGF1000T5E-TR	100 ohm	Sold in Tape and Reel (5000)
MC0603WGF1100T5E-TC	110 ohm	Sold by Each
MC0603WGF1100T5E-TR	110 ohm	Sold in Tape and Reel (5000)
MC0603WGF1200T5E-TC	120 ohm	Sold by Each
MC0603WGF1200T5E-TR	120 ohm	Sold in Tape and Reel (5000)

Multicomp Type No	Resistance	Real Size
MC0603WGF1300T5E-TC	130 ohm	Sold by Each
MC0603WGF1300T5E-TR	130 ohm	Sold in Tape and Reel (5000)
MC0603WGF1500T5E-TC	150 ohm	Sold by Each
MC0603WGF1500T5E-TR	150 ohm	Sold in Tape and Reel (5000)
MC0603WGF1600T5E-TC	160 ohm	Sold by Each
MC0603WGF1600T5E-TR	160 ohm	Sold in Tape and Reel (5000)
MC0603WGF1800T5E-TC	180 ohm	Sold by Each
MC0603WGF1800T5E-TR	180 ohm	Sold in Tape and Reel (5000)
MC0603WGF2000T5E-TC	200 ohm	Sold by Each
MC0603WGF2000T5E-TR	200 ohm	Sold in Tape and Reel (5000)
MC0603WGF2200T5E-TC	220 ohm	Sold by Each
MC0603WGF2200T5E-TR	220 ohm	Sold in Tape and Reel (5000)
MC0603WGF2400T5E-TC	240 ohm	Sold by Each
MC0603WGF2400T5E-TR	240 ohm	Sold in Tape and Reel (5000)
MC0603WGF2700T5E-TC	270 ohm	Sold by Each
MC0603WGF2700T5E-TR	270 ohm	Sold in Tape and Reel (5000)
MC0603WGF3000T5E-TC	300 ohm	Sold by Each
MC0603WGF3000T5E-TR	300 ohm	Sold in Tape and Reel (5000)
MC0603WGF3300T5E-TC	330 ohm	Sold by Each
MC0603WGF3300T5E-TR	330 ohm	Sold in Tape and Reel (5000)
MC0603WGF3600T5E-TC	360 ohm	Sold by Each
MC0603WGF3600T5E-TR	360 ohm	Sold in Tape and Reel (5000)
MC0603WGF3900T5E-TC	390 ohm	Sold by Each
MC0603WGF3900T5E-TR	390 ohm	Sold in Tape and Reel (5000)
MC0603WGF4300T5E-TC	430 ohm	Sold by Each
MC0603WGF4300T5E-TR	430 ohm	Sold in Tape and Reel (5000)
MC0603WGF4700T5E-TC	470 ohm	Sold by Each
MC0603WGF4700T5E-TR	470 ohm	Sold in Tape and Reel (5000)
MC0603WGF5100T5E-TC	510 ohm	Sold by Each
MC0603WGF5100T5E-TR	510 ohm	Sold in Tape and Reel (5000)
MC0603WGF5600T5E-TC	560 ohm	Sold by Each
MC0603WGF5600T5E-TR	560 ohm	Sold in Tape and Reel (5000)
MC0603WGF6200T5E-TC	620 ohm	Sold by Each
MC0603WGF6200T5E-TR	620 ohm	Sold in Tape and Reel (5000)
MC0603WGF6800T5E-TC	680 ohm	Sold by Each
MC0603WGF6800T5E-TR	680 ohm	Sold in Tape and Reel (5000)
MC0603WGF7500T5E-TC	750 ohm	Sold by Each
MC0603WGF7500T5E-TR	750 ohm	Sold in Tape and Reel (5000)
MC0603WGF8200T5E-TC	820 ohm	Sold by Each
MC0603WGF8200T5E-TR	820 ohm	Sold in Tape and Reel (5000)
MC0603WGF9100T5E-TC	910 ohm	Sold by Each
MC0603WGF9100T5E-TR	910 ohm	Sold in Tape and Reel (5000)
MC0603WGF1001T5E-TC	1 Kohm	Sold by Each
MC0603WGF1001T5E-TR	1 Kohm	Sold in Tape and Reel (5000)
MC0603WGF1101T5E-TC	1.1 Kohm	Sold by Each
MC0603WGF1101T5E-TR	1.1 Kohm	Sold in Tape and Reel (5000)
MC0603WGF1201T5E-TC	1.2 Kohm	Sold by Each
MC0603WGF1201T5E-TR	1.2 Kohm	Sold in Tape and Reel (5000)
MC0603WGF1301T5E-TC	1.3 Kohm	Sold by Each
MC0603WGF1301T5E-TR	1.3 Kohm	Sold in Tape and Reel (5000)
MC0603WGF1501T5E-TC	1.5 Kohm	Sold by Each
MC0603WGF1501T5E-TR	1.5 Kohm	Sold in Tape and Reel (5000)

ALL RIGHTS RESERVED. NO PORTION OF THIS PUBLICATION, WHETHER IN WHOLE OR IN PART CAN BE REPRODUCED WITHOUT THE EXPRESS WRITTEN CONSENT OF SPC TECHNOLOGY.

SIZE	DWG. NO.	ELECTRONIC FILE	REV
A	TA-679	TA-679.DWG	A
SCALE:	NTS	U.O.M.: Millimeters	SHEET: 3 OF 5

SPC-F005.DWG

DOC. NO. SPC-F005 \* Effective: 7/8/02 \* DCP No: 1398

Multicomp Type No	Resistance	Real Size
MC0603WGF1601T5E-TC	1.6 Kohm	Sold by Each
MC0603WGF1601T5E-TR	1.6 Kohm	Sold In Tape and Reel (5000)
MC0603WGF1801T5E-TC	1.8 Kohm	Sold by Each
MC0603WGF1801T5E-TR	1.8 Kohm	Sold in Tape and Reel (5000)
MC0603WGF2001T5E-TC	2 Kohm	Sold by Each
MC0603WGF2001T5E-TR	2 Kohm	Sold in Tape and Reel (5000)
MC0603WGF2201T5E-TC	2.2 Kohm	Sold by Each
MC0603WGF2201T5E-TR	2.2 Kohm	Sold in Tape and Reel (5000)
MC0603WGF2401T5E-TC	2.4 Kohm	Sold by Each
MC0603WGF2401T5E-TR	2.4 Kohm	Sold in Tape and Reel (5000)
MC0603WGF2701T5E-TC	2.7 Kohm	Sold by Each
MC0603WGF2701T5E-TR	2.7 Kohm	Sold in Tape and Reel (5000)
MC0603WGF3001T5E-TC	3 Kohm	Sold by Each
MC0603WGF3001T5E-TR	3 Kohm	Sold in Tape and Reel (5000)
MC0603WGF3301T5E-TC	3.3 Kohm	Sold by Each
MC0603WGF3301T5E-TR	3.3 Kohm	Sold in Tape and Reel (5000)
MC0603WGF3601T5E-TC	3.6 Kohm	Sold by Each
MC0603WGF3601T5E-TR	3.6 Kohm	Sold In Tape and Reel (5000)
MC0603WGF3901T5E-TC	3.9 Kohm	Sold by Each
MC0603WGF3901T5E-TR	3.9 Kohm	Sold In Tape and Reel (5000)
MC0603WGF4301T5E-TC	4.3 Kohm	Sold by Each
MC0603WGF4301T5E-TR	4.3 Kohm	Sold in Tape and Reel (5000)
MC0603WGF4701T5E-TC	4.7 Kohm	Sold by Each
MC0603WGF4701T5E-TR	4.7 Kohm	Sold in Tape and Reel (5000)
MC0603WGF5101T5E-TC	5.1 Kohm	Sold by Each
MC0603WGF5101T5E-TR	5.1 Kohm	Sold in Tape and Reel (5000)
MC0603WGF5601T5E-TC	5.6 Kohm	Sold by Each
MC0603WGF5601T5E-TR	5.6 Kohm	Sold in Tape and Reel (5000)
MC0603WGF6201T5E-TC	6.2 Kohm	Sold by Each
MC0603WGF6201T5E-TR	6.2 Kohm	Sold in Tape and Reel (5000)
MC0603WGF6801T5E-TC	6.8 Kohm	Sold by Each
MC0603WGF6801T5E-TR	6.8 Kohm	Sold in Tape and Reel (5000)
MC0603WGF7501T5E-TC	7.5 Kohm	Sold by Each
MC0603WGF7501T5E-TR	7.5 Kohm	Sold In Tape and Reel (5000)
MC0603WGF8201T5E-TC	8.2 Kohm	Sold by Each
MC0603WGF8201T5E-TR	8.2 Kohm	Sold In Tape and Reel (5000)
MC0603WGF9101T5E-TC	9.1 Kohm	Sold by Each
MC0603WGF9101T5E-TR	9.1 Kohm	Sold in Tape and Reel (5000)
MC0603WGF1002T5E-TC	10 Kohm	Sold by Each
MC0603WGF1002T5E-TR	10 Kohm	Sold in Tape and Reel (5000)
MC0603WGF1102T5E-TC	11 Kohm	Sold by Each
MC0603WGF1102T5E-TR	11 Kohm	Sold in Tape and Reel (5000)
MC0603WGF1202T5E-TC	12 Kohm	Sold by Each
MC0603WGF1202T5E-TR	12 Kohm	Sold in Tape and Reel (5000)
MC0603WGF1302T5E-TC	13 Kohm	Sold by Each
MC0603WGF1302T5E-TR	13 Kohm	Sold in Tape and Reel (5000)
MC0603WGF1502T5E-TC	15 Kohm	Sold by Each
MC0603WGF1502T5E-TR	15 Kohm	Sold in Tape and Reel (5000)
MC0603WGF1602T5E-TC	16 Kohm	Sold by Each
MC0603WGF1602T5E-TR	16 Kohm	Sold in Tape and Reel (5000)
MC0603WGF1802T5E-TC	18 Kohm	Sold by Each
MC0603WGF1802T5E-TR	18 Kohm	Sold In Tape and Reel (5000)

Multicomp Type No	Resistance	Real Size
MC0603WGF2002T5E-TC	20 Kohm	Sold by Each
MC0603WGF2002T5E-TR	20 Kohm	Sold in Tape and Reel (5000)
MC0603WGF2202T5E-TC	22 Kohm	Sold by Each
MC0603WGF2202T5E-TR	22 Kohm	Sold in Tape and Reel (5000)
MC0603WGF2402T5E-TC	24 Kohm	Sold by Each
MC0603WGF2402T5E-TR	24 Kohm	Sold in Tape and Reel (5000)
MC0603WGF2702T5E-TC	27 Kohm	Sold by Each
MC0603WGF2702T5E-TR	27 Kohm	Sold in Tape and Reel (5000)
MC0603WGF3002T5E-TC	30 Kohm	Sold by Each
MC0603WGF3002T5E-TR	30 Kohm	Sold In Tape and Reel (5000)
MC0603WGF3302T5E-TC	33 Kohm	Sold by Each
MC0603WGF3302T5E-TR	33 Kohm	Sold in Tape and Reel (5000)
MC0603WGF3602T5E-TC	36 Kohm	Sold by Each
MC0603WGF3602T5E-TR	36 Kohm	Sold in Tape and Reel (5000)
MC0603WGF3902T5E-TC	39 Kohm	Sold by Each
MC0603WGF3902T5E-TR	39 Kohm	Sold in Tape and Reel (5000)
MC0603WGF4302T5E-TC	43 Kohm	Sold by Each
MC0603WGF4302T5E-TR	43 Kohm	Sold in Tape and Reel (5000)
MC0603WGF4702T5E-TC	47 Kohm	Sold by Each
MC0603WGF4702T5E-TR	47 Kohm	Sold in Tape and Reel (5000)
MC0603WGF5102T5E-TC	51 Kohm	Sold by Each
MC0603WGF5102T5E-TR	51 Kohm	Sold in Tape and Reel (5000)
MC0603WGF5602T5E-TC	56 Kohm	Sold by Each
MC0603WGF5602T5E-TR	56 Kohm	Sold in Tape and Reel (5000)
MC0603WGF6202T5E-TC	62 Kohm	Sold by Each
MC0603WGF6202T5E-TR	62 Kohm	Sold In Tape and Reel (5000)
MC0603WGF6802T5E-TC	68 Kohm	Sold by Each
MC0603WGF6802T5E-TR	68 Kohm	Sold In Tape and Reel (5000)
MC0603WGF7502T5E-TC	75 Kohm	Sold by Each
MC0603WGF7502T5E-TR	75 Kohm	Sold in Tape and Reel (5000)
MC0603WGF8202T5E-TC	82 Kohm	Sold by Each
MC0603WGF8202T5E-TR	82 Kohm	Sold in Tape and Reel (5000)
MC0603WGF9102T5E-TC	91 Kohm	Sold by Each
MC0603WGF9102T5E-TR	91 Kohm	Sold in Tape and Reel (5000)
MC0603WGF1003T5E-TC	100 Kohm	Sold by Each
MC0603WGF1003T5E-TR	100 Kohm	Sold in Tape and Reel (5000)
MC0603WGF1103T5E-TC	110 Kohm	Sold by Each
MC0603WGF1103T5E-TR	110 Kohm	Sold in Tape and Reel (5000)
MC0603WGF1203T5E-TC	120 Kohm	Sold by Each
MC0603WGF1203T5E-TR	120 Kohm	Sold in Tape and Reel (5000)
MC0603WGF1303T5E-TC	130 Kohm	Sold by Each
MC0603WGF1303T5E-TR	130 Kohm	Sold In Tape and Reel (5000)
MC0603WGF1503T5E-TC	150 Kohm	Sold by Each
MC0603WGF1503T5E-TR	150 Kohm	Sold In Tape and Reel (5000)
MC0603WGF1603T5E-TC	160 Kohm	Sold by Each
MC0603WGF1603T5E-TR	160 Kohm	Sold in Tape and Reel (5000)
MC0603WGF1803T5E-TC	180 Kohm	Sold by Each
MC0603WGF1803T5E-TR	180 Kohm	Sold in Tape and Reel (5000)
MC0603WGF2003T5E-TC	200 Kohm	Sold by Each
MC0603WGF2003T5E-TR	200 Kohm	Sold in Tape and Reel (5000)
MC0603WGF2203T5E-TC	220 Kohm	Sold by Each
MC0603WGF2203T5E-TR	220 Kohm	Sold in Tape and Reel (5000)

ALL RIGHTS RESERVED. NO PORTION OF THIS PUBLICATION, WHETHER IN WHOLE OR IN PART CAN BE REPRODUCED WITHOUT THE EXPRESS WRITTEN CONSENT OF SPC TECHNOLOGY.

SIZE DWG. NO.

TA-679

ELECTRONIC FILE

TA-679.DWG

REV

A

SPC-F005.DWG

DOC. NO. SPC-F005 \* Effective: 7/8/02 \* DCP No: 1398

SCALE: NTS

U.O.M.: Millimeters

SHEET: 4 OF 5

Multicomp Type No	Resistance	Real Size
MC0603WGF2403T5E-TC	240 Kohm	Sold by Each
MC0603WGF2403T5E-TR	240 Kohm	Sold in Tape and Reel (5000)
MC0603WGF2703T5E-TC	270 Kohm	Sold by Each
MC0603WGF2703T5E-TR	270 Kohm	Sold in Tape and Reel (5000)
MC0603WGF3003T5E-TC	300 Kohm	Sold by Each
MC0603WGF3003T5E-TR	300 Kohm	Sold in Tape and Reel (5000)
MC0603WGF3303T5E-TC	330 Kohm	Sold by Each
MC0603WGF3303T5E-TR	330 Kohm	Sold in Tape and Reel (5000)
MC0603WGF3603T5E-TC	360 Kohm	Sold by Each
MC0603WGF3603T5E-TR	360 Kohm	Sold in Tape and Reel (5000)
MC0603WGF3903T5E-TC	390 Kohm	Sold by Each
MC0603WGF3903T5E-TR	390 Kohm	Sold in Tape and Reel (5000)
MC0603WGF4303T5E-TC	430 Kohm	Sold by Each
MC0603WGF4303T5E-TR	430 Kohm	Sold in Tape and Reel (5000)
MC0603WGF4703T5E-TC	470 Kohm	Sold by Each
MC0603WGF4703T5E-TR	470 Kohm	Sold in Tape and Reel (5000)
MC0603WGF5103T5E-TC	510 Kohm	Sold by Each
MC0603WGF5103T5E-TR	510 Kohm	Sold in Tape and Reel (5000)
MC0603WGF5603T5E-TC	560 Kohm	Sold by Each
MC0603WGF5603T5E-TR	560 Kohm	Sold in Tape and Reel (5000)
MC0603WGF6203T5E-TC	620 Kohm	Sold by Each
MC0603WGF6203T5E-TR	620 Kohm	Sold in Tape and Reel (5000)
MC0603WGF6803T5E-TC	680 Kohm	Sold by Each
MC0603WGF6803T5E-TR	680 Kohm	Sold in Tape and Reel (5000)
MC0603WGF7503T5E-TC	750 Kohm	Sold by Each
MC0603WGF7503T5E-TR	750 Kohm	Sold in Tape and Reel (5000)
MC0603WGF8203T5E-TC	820 Kohm	Sold by Each
MC0603WGF8203T5E-TR	820 Kohm	Sold in Tape and Reel (5000)
MC0603WGF9103T5E-TC	910 Kohm	Sold by Each
MC0603WGF9103T5E-TR	910 Kohm	Sold in Tape and Reel (5000)
MC0603WGF1004T5E-TC	1 Mohm	Sold by Each
MC0603WGF1004T5E-TR	1 Mohm	Sold in Tape and Reel (5000)

ALL RIGHTS RESERVED. NO PORTION OF THIS PUBLICATION, WHETHER IN WHOLE OR IN PART CAN BE REPRODUCED WITHOUT THE EXPRESS WRITTEN CONSENT OF SPC TECHNOLOGY.

SIZE	DWG. NO.	ELECTRONIC FILE	REV
A	TA-679	TA-679.DWG	A
SCALE: NTS		U.O.M.: Millimeters	SHEET: 5 OF 5

SPC-F005.DWG

DOC. NO. SPC-F005 \* Effective: 7/8/02 \* DCP No: 1398