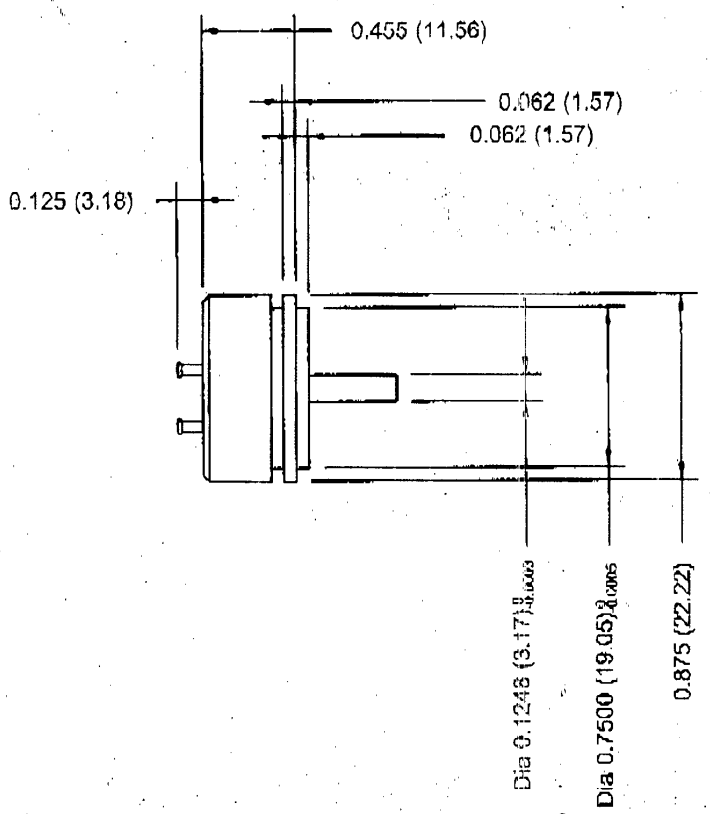
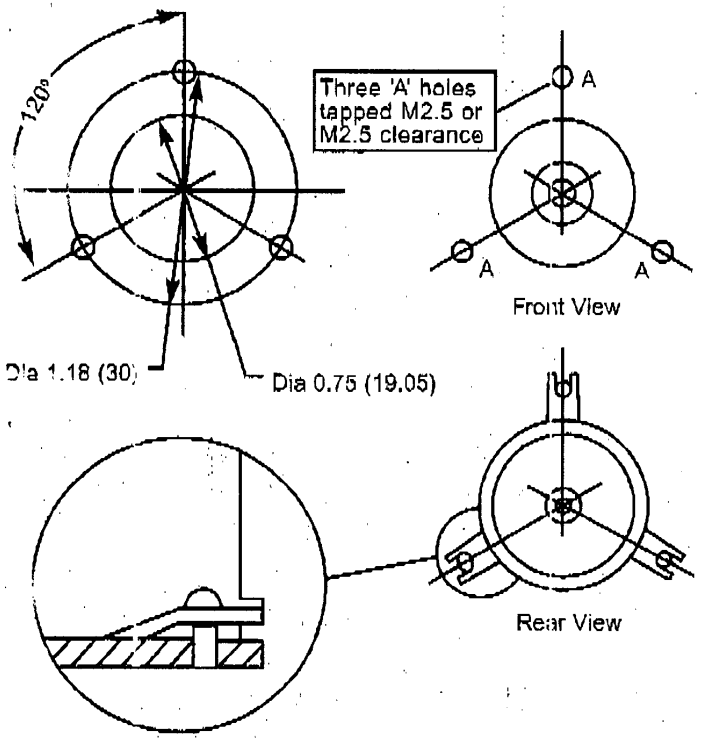


VISHAY MODEL 157 SERVO MOUNTED POTENTIOMETER

MOUNTING INSTRUCTIONS

Drill panel and fix mounting screws loosely into holes 'A'. Locate flange of potentiometer into the central hole. Slip the curved mounting clamps under the screw heads and into the channel around the potentiometer body as shown in detail. Ensure the clamps are well seated and tighten screws.

MOUNTING INSTRUCTIONS
panel mounting detail



Vishay Limited (Spectrol Division), Unit 6-7, Marshall Road Hillmead, SWINDON, Wiltshire SN5 5FZ
 Telephone: +44(0)1793 507700
 Sales Fax: +44(0)1793 525163

F.A.O