



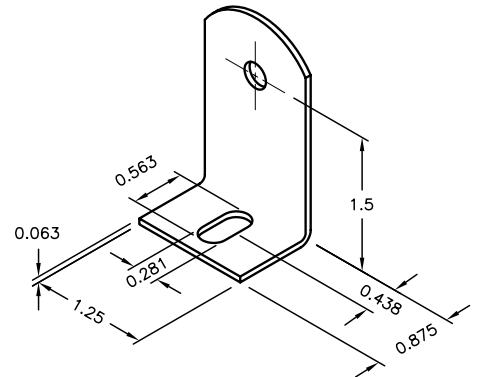
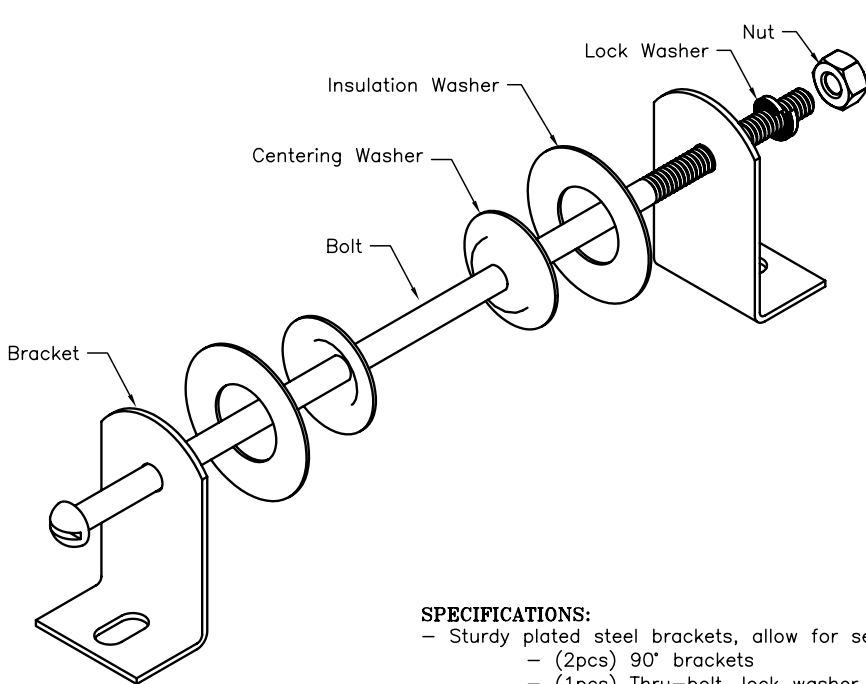
ALL RIGHTS RESERVED. NO PORTION OF THIS PUBLICATION, WHETHER IN WHOLE OR IN PART CAN BE REPRODUCED WITHOUT THE EXPRESS WRITTEN CONSENT OF SPC TECHNOLOGY.

SPC-F005.DWG

REVISIONS

DOC. NO. SPC-F005 * Effective: 7/8/02 * DCP No: 1398

DCP #	REV	DESCRIPTION	DRAWN	DATE	CHECKD	DATE	APPRVD	DATE
1868	A	RELEASED	BYF	11/21/05	HO	11/28/05	JWM	11/29/05



Brackets Dimensions

SPECIFICATIONS:

- Sturdy plated steel brackets, allow for secure mounting of 300 Wirewound type resistors. Includes:
 - (2pcs) 90° brackets
 - (1pcs) Thru-bolt, lock washer and nut
 - (2pcs) Centering washers
 - (2pcs) Insulating washers

DISCLAIMER:
ALL STATEMENTS AND TECHNICAL INFORMATION CONTAINED HEREIN ARE BASED UPON INFORMATION AND/OR TESTS WE BELIEVE TO BE ACCURATE AND RELIABLE. SINCE CONDITIONS OF USE ARE BEYOND OUR CONTROL, THE USER SHALL DETERMINE THE SUITABILITY OF THE PRODUCT FOR THE INTENDED USE AND ASSUME ALL RISK AND LIABILITY WHATSOEVER IN CONNECTION THEREWITH.

TOLERANCES:

UNLESS OTHERWISE SPECIFIED,
Angles $\pm 0.5^\circ$
.XX ± 0.010
.XXX ± 0.005
Features On CL ± 0.010

DRAWN BY:	DATE:
BASAM YOUSIF	11/21/05
CHECKED BY:	DATE:
HISHAM ODISH	11/28/05
APPROVED BY:	DATE:
JEFF MCVICKER	11/29/05

DRAWING TITLE:

Thru-Bolt Mounting Bracket, For Single 300W Wirewound Resistor

SIZE	DWG. NO.	ELECTRONIC FILE	REV
A	MC14761	33K3838.DWG	A
SCALE:	NTS	U.O.M.: INCHES	SHEET: 1 OF 1