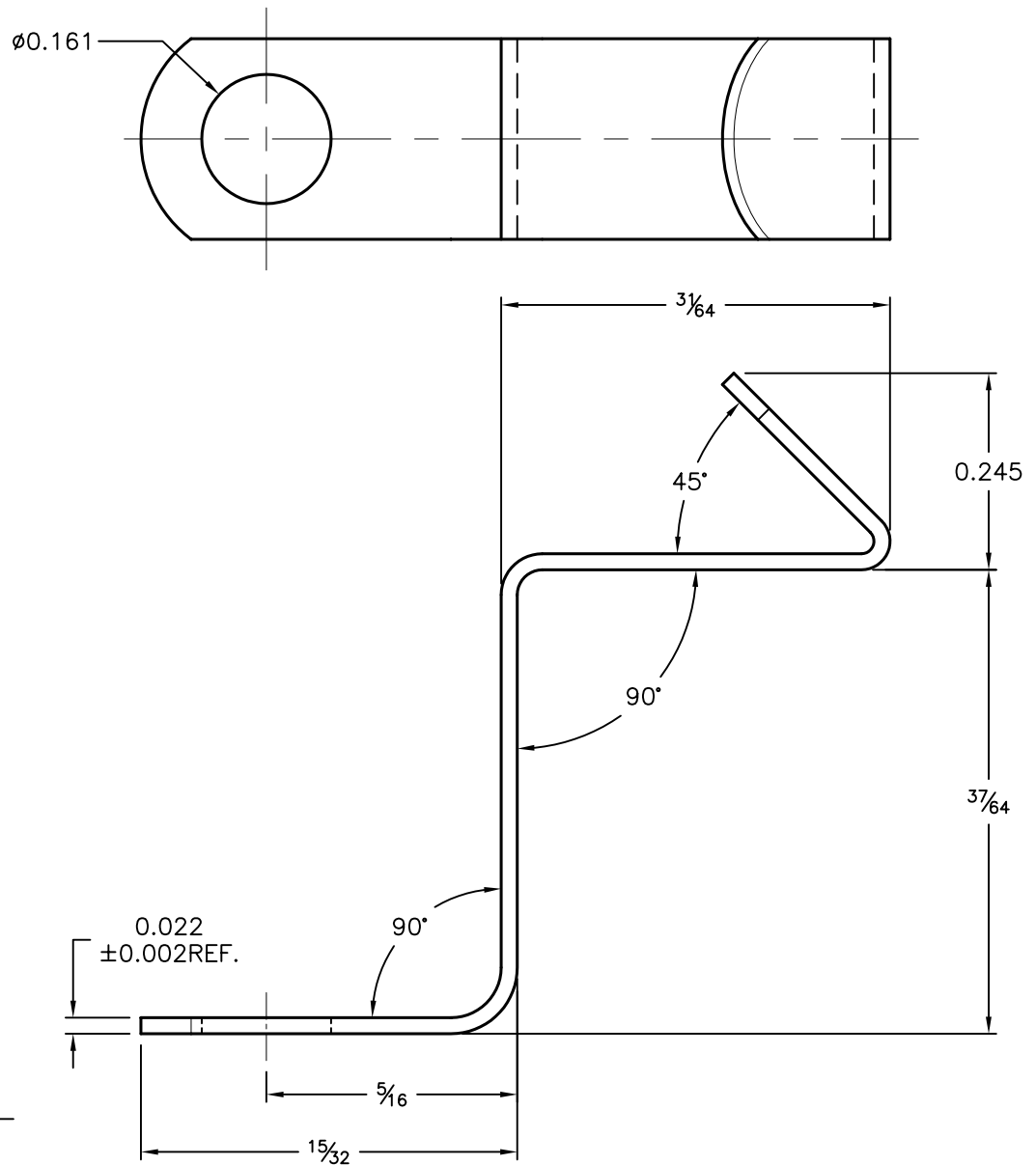


DCP #	REV	DESCRIPTION	DRAWN	DATE	CHECKD	DATE	APPRVD	DATE
1868	A	RELEASED	BYF	11/13/05	HO	11/17/05	JWM	11/17/05


**Specifications:**

- Material: Made from D77160E (M009504-6) Cold-Rolled, Round edge flat wire, half hard Steel. or Cold-Rolled, half hard, slit edge strip steel.
- Plating: Zinc plated, 0.0002 ~ 0.0003" Thick with Blue Chromate
- Bracket fits inside cores of 25W or 50W Wirewound type resistors and remain in place by spring tension.
- Mounting Screw size (Max.) #6 Screw

SPC-F004.DWG

<b>TOLERANCES:</b> UNLESS OTHERWISE SPECIFIED, Angles $\pm 0.5^\circ$ .XX $\pm 0.010$ .XXX $\pm 0.005$ Fractions $\pm \frac{1}{64}$	DRAWN BY: BASAM YOUSIF	DATE: 11/13/05	DRAWING TITLE: RoHS Compliant Mounting Bracket for Wirewound Resistor			
	CHECKED BY: HISHAM ODISH	DATE: 11/17/05	SIZE A	DWG. NO. MC14689	ELECTRONIC FILE 28K6303.DWG	REV A
	APPROVED BY: JEFF MCVICKER	DATE: 11/17/05	SCALE: NTS		U.O.M.: INCHES	
					SHEET: 1 OF 1	

ALL RIGHTS RESERVED. NO PORTION OF THIS PUBLICATION, WHETHER IN WHOLE OR IN PART CAN BE REPRODUCED WITHOUT THE EXPRESS WRITTEN CONSENT OF SPC TECHNOLOGY. DISCLAIMER: ALL STATEMENTS AND TECHNICAL INFORMATION CONTAINED HEREIN ARE BASED UPON INFORMATION AND/OR TESTS WE BELIEVE TO BE ACCURATE AND RELIABLE. SINCE CONDITIONS OF USE ARE BEYOND OUR CONTROL, THE USER SHALL DETERMINE THE SUITABILITY OF THE PRODUCT FOR THE INTENDED USE AND ASSUME ALL RISK AND LIABILITY WHATSOEVER IN CONNECTION THEREWITH.