

## Type CB10 Series

### Type CB10 Series



Low price, versatility and stable environmental characteristics are important benefits of this product. Featuring an innovative carbon resistive element printed on film in a fully enclosed package, this potentiometer style is normally chosen for a wide range of applications in industrial, professional and consumer equipment.

### Key Features

- Low Cost
- Robust Enclosed Construction
- Spindle Adjust Versions
- Flame Retardant
- Arrow Position Indicator
- Top, Bottom and Side Adjust Styles
- Stable in High Humidity
- Edgewise Operation Style

### Characteristics - Electrical

<b>Resistance Range:</b>	100R to 10M Linear , 1K to 1M Non-Linear
<b>Resistance Values:</b>	1, 2.2 & 4.7 in each decade
<b>Resistance Tolerance:</b>	± 20% (± 30% above 1 Megohms)
<b>End Resistance:</b>	< 3%
<b>Power Rating @ 40°C:</b>	0.15 Watts (derating to zero at 70°C)
<b>Maximum Voltage:</b>	Lin. 200V DC / Log. 150V DC
<b>Rotational Noise (CRV):</b>	<5% of Rn nominal
<b>Temperature Coefficient:</b>	±500 ppm/°C (< 100K ohms)
<b>Slider Current:</b>	50mA
<b>Resolution:</b>	Essentially Infinite
<b>Electrical Adjustment:</b>	240° Nominal 1 Turn

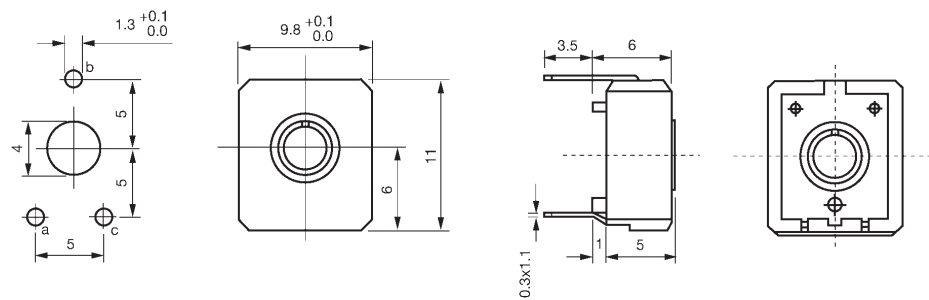
### Characteristics - Mechanical

<b>End Torque:</b>	50 mNm maximum
<b>Starting Torque:</b>	4 to 20 mNm
<b>Mechanical Adjustment:</b>	295° nominal
<b>Weight:</b>	0.8 grams

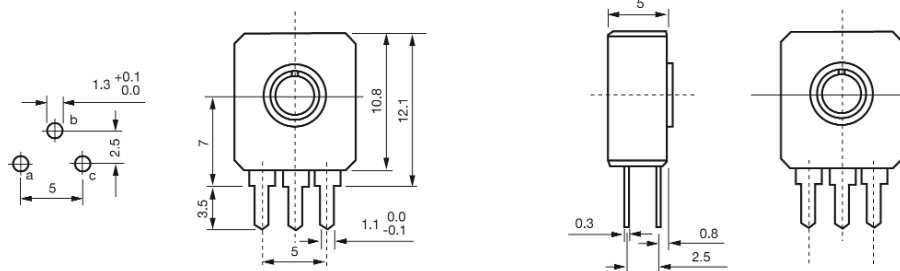
### Characteristics - Environmental

<b>Temperature Range:</b>	-25°C to +70°C
<b>Temperature Storage:</b>	1000 hours at 100°C
<b>Rotational Life:</b>	500 cycles, minimum (10000 cycles-extended life versions)
<b>Load Life at 40°C:</b>	ΔR <10% after 1000 hours
<b>Sealing:</b>	Dust and Splash Proof
<b>Climate Category:</b>	25/70/21

### Dimensions CB10V

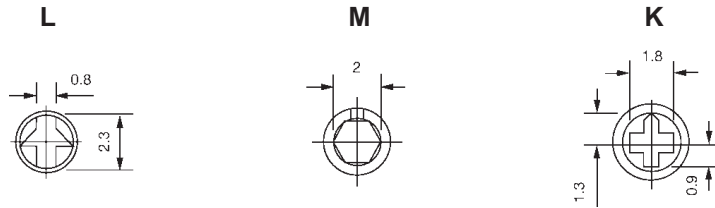


### CB10H

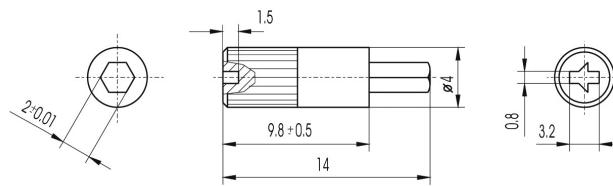


## Type CB10 Series

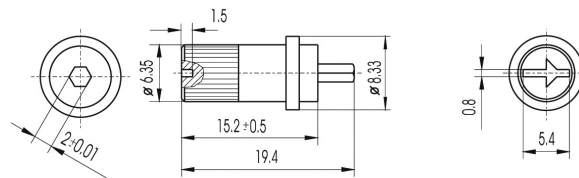
### Adjustment Styles



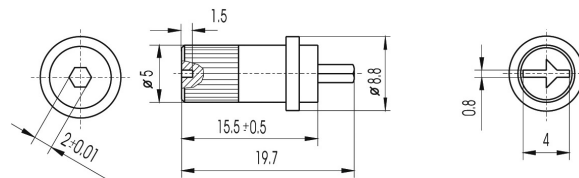
### Plug-In Spindles / Edgewheels



Colour	Part Number
White	CB101161
Black	CB101387
Red	CB101490
Blue	CB101598



Colour	Part Number
White	CB101446
Black	CB101489
Red	CB101502



Colour	Part Number
White	CB101544
Black	CB101589
Red	CB101776

### How to Order

Common Part	Adjustment Style	Orientation	Resistance Value	Tolerance	Features
CB10 - 10mm Carbon Trimmer	L - Arrow Head M - Hex Centre K - Cross Slot	H - Vertical to PCB V - Horizontal to PCB	The first two digits are significant figures of resistance value and the third denotes the number of zeros following. e.g. 100R: 101 1K0: 102 10K: 103 100K: 104	K - 10% (Special) M - 20% N - 30% (<1 Meg)	-- Standard E - Extended Life