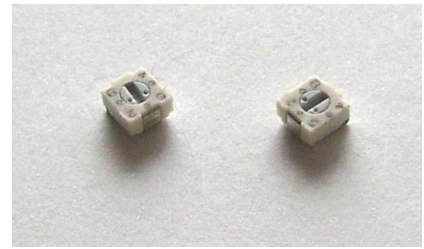


MODEL 22

3 mm Single Turn Sealed Surface Mount Cermet Trimming Potentiometer



MODELS AVAILABLE

J Hook	22A
Side Mount	22S

ELECTRICAL¹

Resistance Range	10 Ohm to 2 Megohms
Standard Resistance Tolerance	± 20%
Input Voltage, Maximum	200 Vdc or rms, not to exceed power rating
Power rating, Watts	0.125 @ 70°C, derating to 0 @ 125°C
End Resistance, Maximum	1% or 3 Ohms, whichever is greater
Actual Electrical Travel, Nominal	220°
Dielectric Strength	500 V rms
Insulation Resistance, Minimum	100 Megohms
Resolution	Essentially infinite
Contact Resistance Variation, Maximum	3% or 3 Ohms, whichever is greater
Temperature Coefficient of Resistance	±100 ppm/°C (less than 100 ohms: ±150 ppm/°C)

MECHANICAL

Mechanical Stop	Solid
Static Stop Strength	1.3 in. oz.
Torque, Maximum	0.65 in. oz.
Weight, Nominal	0.002 oz.
Wiper Position	Approx. 50%

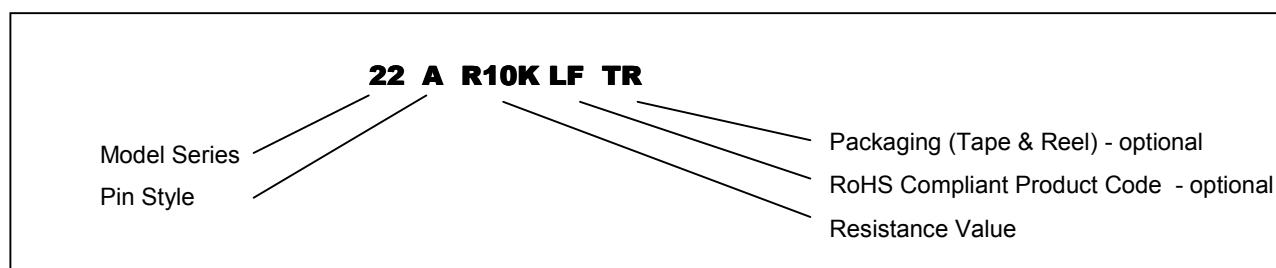
¹ Specifications subject to change without notice.

MODEL 22

ENVIRONMENTAL

Seal	85°C Fluorinert®
Operating Temperature Range	-55°C to +125°C
Thermal Shock, 5 cycles, -55°C to +125°C	2% ΔR, 1% ΔV Ratio max.
Moisture Resistance, Ten 24 Hour Cycles	3% ΔR
Shock, 6 ms Sawtooth 100G's	1% ΔR, 1% ΔV Ratio max.
Vibration, 20G's to 2000 Hz	1% ΔR, 1% ΔV Ratio max.
High Temperature Exposure, 250 Hours @ 125°C	2% ΔR, 2% ΔV Ratio max.
Rotational Life, 100 Cycles	3% ΔR
Load Life, 0.125W, 100 Hours, 70°C	3% ΔR, 2% ΔV Ratio max.
Resistance to Solder Heat	260°C for 5 sec.

ORDERING INFORMATION²



PACKAGING – TAPE & REEL

	Model 22A	Model 22S
Tape Width	12 mm	16 mm
Sprocket Pitch	4 mm	4 mm
Reel Diameter	7 inches	7 inches
Quantity per Reel	1000 units	200 units

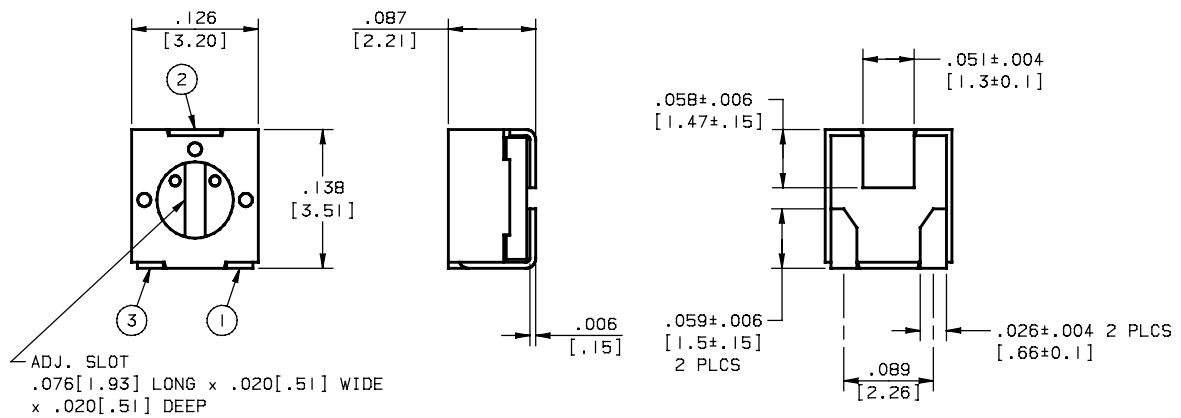
STANDARD RESISTANCE VALUES, OHMS

10	100	1K	10K	100K	1 Meg
20	200	2K	20K	200K	2 Meg
50	500	5K	50K	500K	

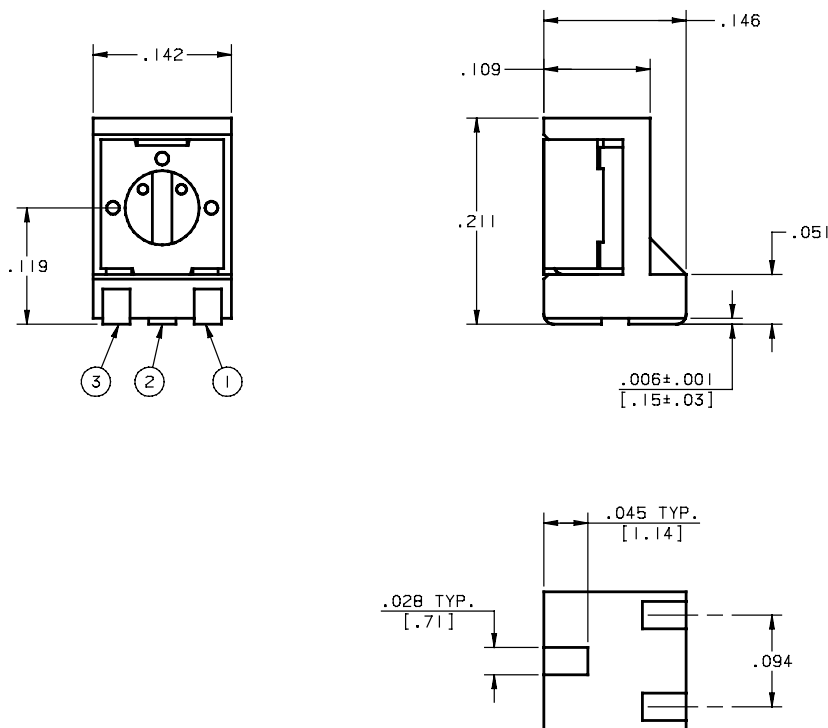
² Contact our customer service for custom designs and features.

OUTLINE DRAWING³

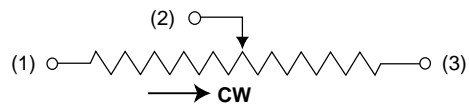
Model 22A



Model 22S



CIRCUIT DIAGRAM



³ Dimensions are Inches (mm), Tolerances are $\pm .01$ inch ($\pm .025$ mm) unless otherwise stated.