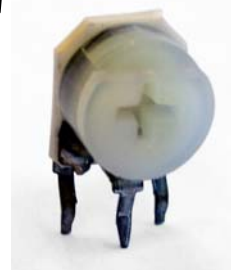


Model 36  
6 MM SINGLE-TURN  
Open Frame  
Cermet Trimming  
Potentiometer

**New Product**



RoHS Compliant

#### STYLES AVAILABLE

Top Adjust	36F
Side Adjust	36K
Side Adjust	36W
Top Adjust (2.5 mm pin spacing)	36P

#### ELECTRICAL<sup>1</sup>

Resistance Range	100 to 1,000,000 Ohms
Standard Resistance Tolerance	± 20%
Input Voltage, Maximum	100 V
Power rating, Watts	0.3 @ 70°C
End Resistance, Maximum	<500 ohms: 10 Ohms Max; > 500 ohms: 2% Max.
Actual Electrical Travel	215° ±5°
Mechanical Travel	240° ±20°
Insulation Resistance, Minimum	100 Megohms
Resolution	Essentially infinite
Contact Resistance Variation	5% Max.
Temperature Coefficient of Resistance	±250 ppm/°C

#### MECHANICAL

Torque, Maximum	2.1 in. oz.
Weight, Approx.	0.01 oz.
Wiper Position	Approx. 50%

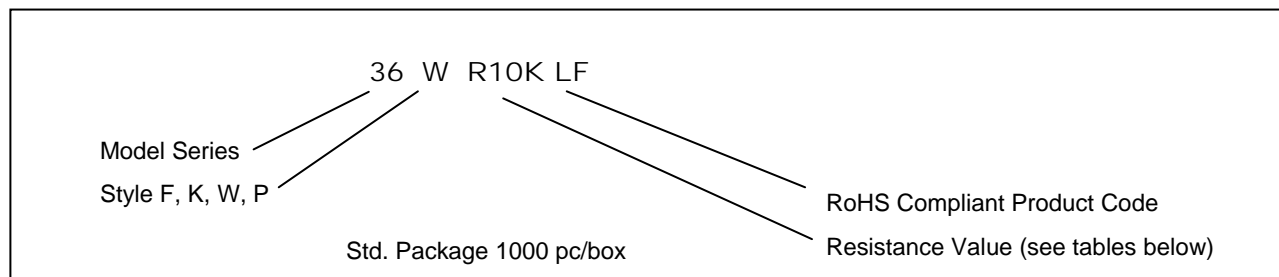
<sup>1</sup> Specifications subject to change without notice.

# Model 36

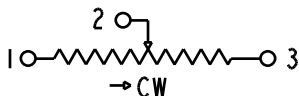
## ENVIRONMENTAL

Operating Temperature Range	-30°C to +100°C
Rotational Life, 50 Cycles	±10% ΔR
Load Life, 0.3W, 500 Hours, 70°C	±5% ΔR
Resistance to Solder Heat	260°C for 3 sec.
Aqueous cleaning not recommended	

## ORDERING INFORMATION<sup>2</sup>



## CIRCUIT DIAGRAM



## STANDARD RESISTANCE VALUES AND MARKING

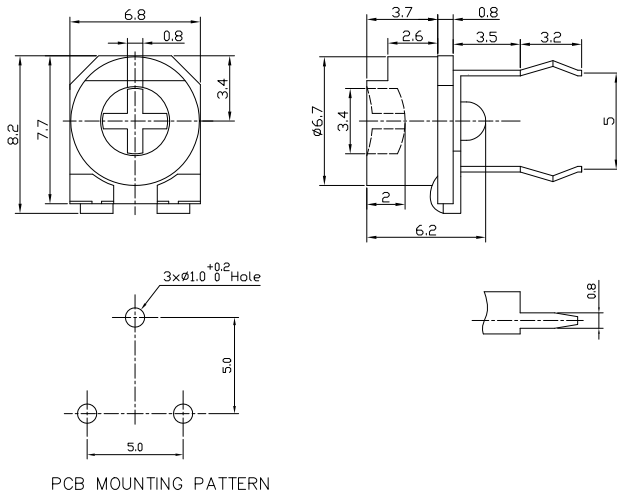
Resistance (ohms)	Part Marking
100	12
200	22
500	52
1K	13
2K	23
5K	53
10K	14
20K	24
50K	54
100K	15
200K	25
500K	55
1MEG	16

<sup>2</sup> Contact our customer service for custom designs and features.

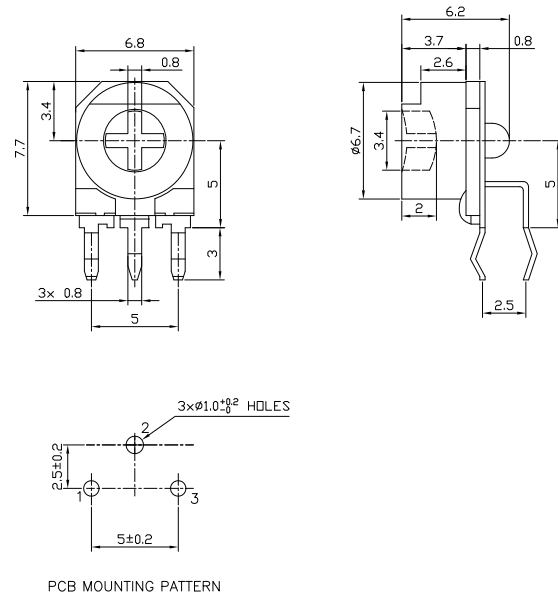
# Model 36

## OUTLINE DRAWING<sup>3</sup>

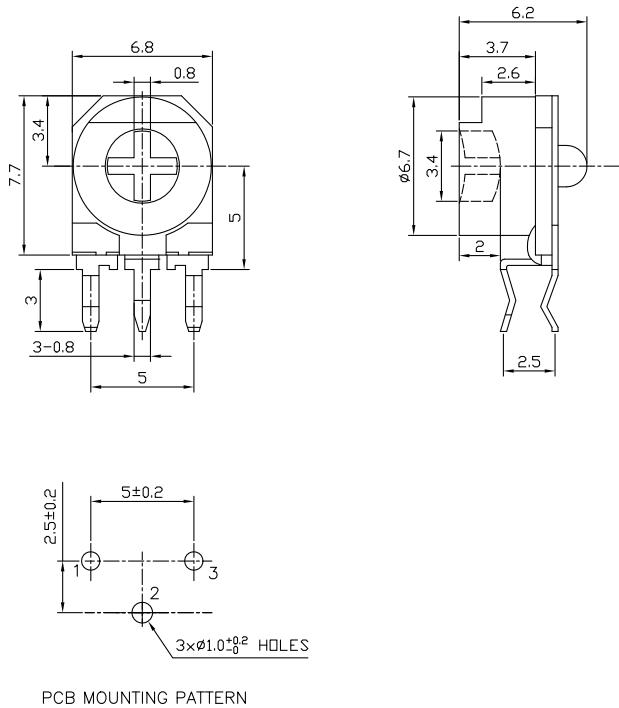
### Model 36F (Top Adjust)



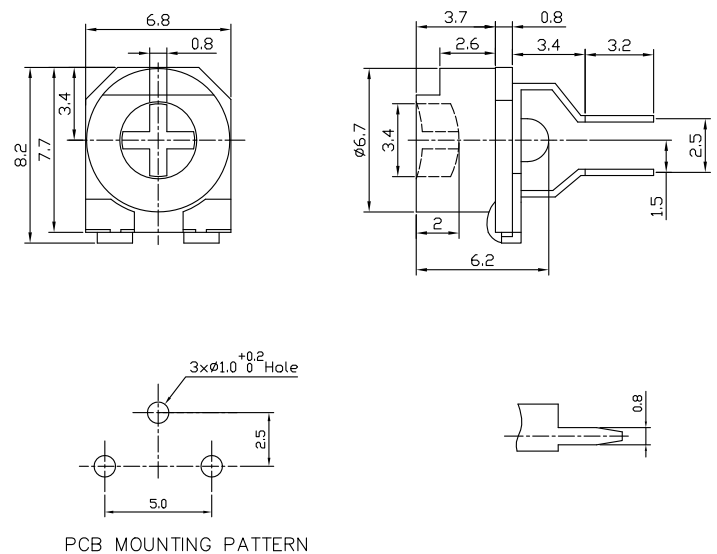
### Model 36K (Side Adjust)



### Model 36W (Side Adjust)



### Model 36P (Top Adjust)



<sup>3</sup> Dimensions are in millimeters.