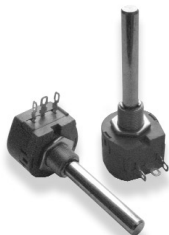


Type TW Series

Type TW Series



This high power wire wound potentiometer is a recent addition to the Tyco range. The TW series offers 1 Watt power rating, low terminal resistance and excellent linearity. For a rugged high power control potentiometer at a very attractive price the TW Series will satisfy your requirements.

Key Features

- Wirewound Element
- Proven Reliability
- Excellent Linearity
- 1 W Rating at 40°C
- Robust Construction
- Custom Designs Possible

Characteristics - Electrical

Resistance Range:	5R0 to 20K (Linear)
Resistance Values:	1, 2 and 5 in each decade
Resistance Tolerance:	10%
Linearity:	2% maximum
Rated Dissipation at 40°C:	1 W
Maximum Working Voltage:	200V DC
Electrical Rotation:	265° ±5°
Terminal Resistance:	2 ohms
Maximum Wiper Current:	100mA
Insulation Resistance:	1000M Ohms at 500V DC
Voltage Proof:	1000V AC

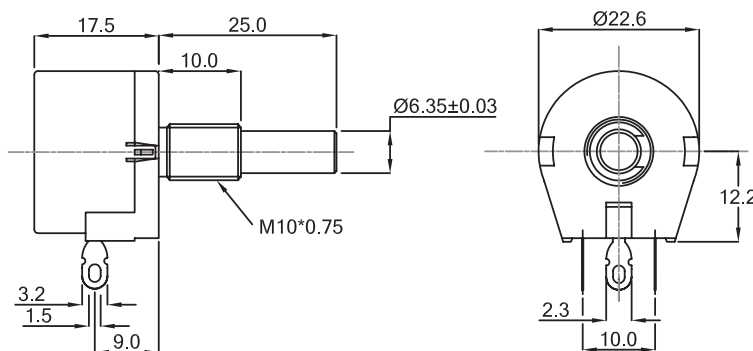
Characteristics - Mechanical

Shaft Torque:	3.5 - 100 mNm
Mechanical Rotation:	285° ±5°

Characteristics - Environmental

Operating Temperature:	-55°C to +125°C
Temperature Coefficient:	100ppm/°C
Mechanical Endurance:	10,000 operations
Sealing:	Enclosed

Dimensions



How to Order

TW	1	102	K	A
Common Part	Power Dissipation	Resistance Value	Tolerance	Shaft Style
TW - Wirewound Potentiometer	1 - 1 Watt at 40°C	The first two digits are significant figures of resistance value and the third denotes the number of zeros following. e.g. 100R: 101 1K0: 102 10K: 103 100K: 104	K - ±10%	A - 6.35 x 25mm Plain