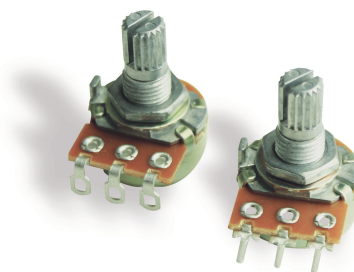


Model P160
16mm Rotary Potentiometer
Conductive Plastic Element
100,000 Cycle Life
Metal shaft / Bushing
Multi – Ganged available
RoHS Compliant



MODEL STYLES

| | |
|----------------------------------|----------|
| Side Adjust , Solder Lugs | P160KNP |
| Side Adjust , PC pins | P160KN |
| Side Adjust , PC Pins, Long pins | P160KN2 |
| Rear Adjust, PC pins | P160KNPD |

ELECTRICAL¹

| | |
|-------------------------------------|----------------------------|
| Resistance Range, Ohms | 500-1M |
| Standard Resistance Tolerance | ± 20% |
| Residual Resistance | 20 ohms max. |
| Power rating Input Voltage, maximum | 200 Vac max. |
| Power Rated, Watts | 0.2W- B taper, 0.1W-others |
| Dielectric Strength | 500Vac, 1 minute |
| Insulation Resistance, Minimum | 100M ohms at 250Vdc |
| Sliding Noise | 100mV max. |
| Actual Electrical Travel, Nominal | 260° |

MECHANICAL

| | |
|----------------------------|-----------|
| Total Mechanical Travel | 300°± 10° |
| Static Stop Strength | 90 oz-in |
| Rotational Torque, Maximum | 2.5 oz-in |

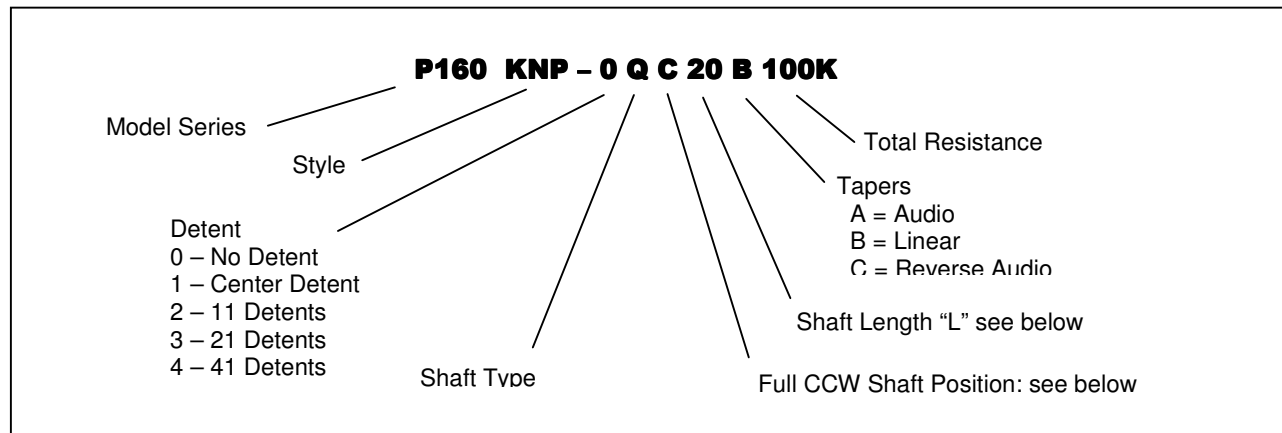
ENVIRONMENTAL

| | |
|-----------------------------|----------------|
| Operating Temperature Range | -20°C to +70°C |
| Rotational Life | 100,000 cycles |

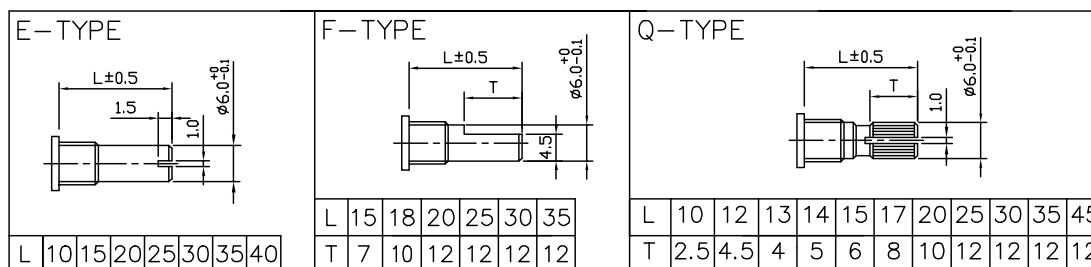
¹ Specifications subject to change without notice.

Model P160

ORDERING INFORMATION²

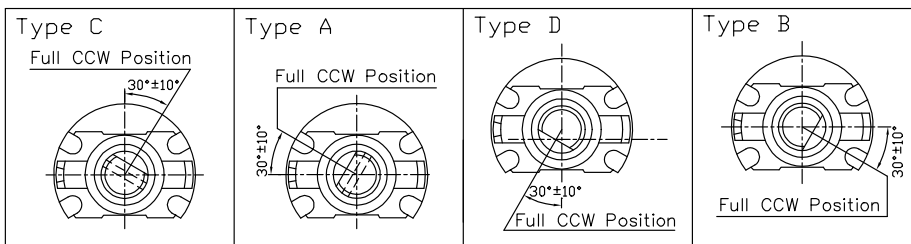


Shaft Types



Shaft Position (F-Type Shaft)

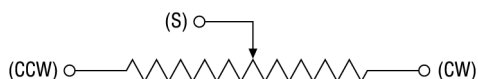
Dashed lines on Type "C" and Type "A" shows position of adjustment slot for E-Type and Q-Type shafts



STANDARD RESISTANCE VALUES, OHMS

500 1K 2K 5K 10K 20K 50K 100K 200K 500K 1MEG

CIRCUIT DIAGRAM



BI Technologies Corporation
 4200 Bonita Place, Fullerton, CA 92835 USA
 Phone: 714 447 2345 Website: www.bitechnologies.com

July 31, 2007

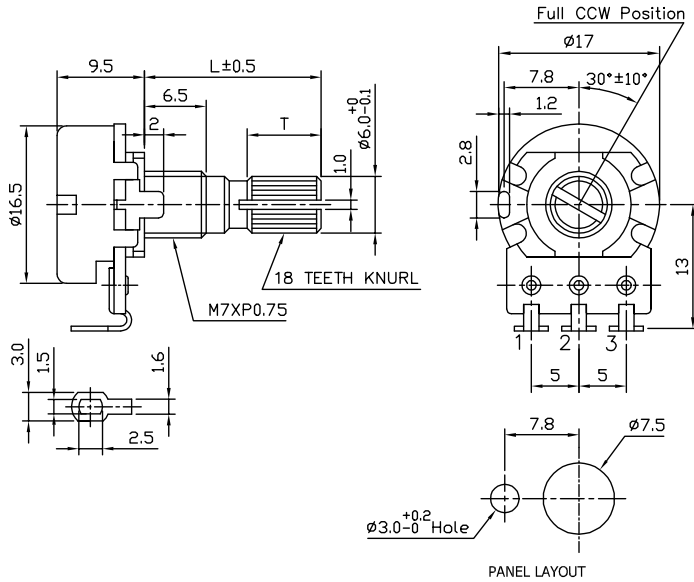
page 2 of 4



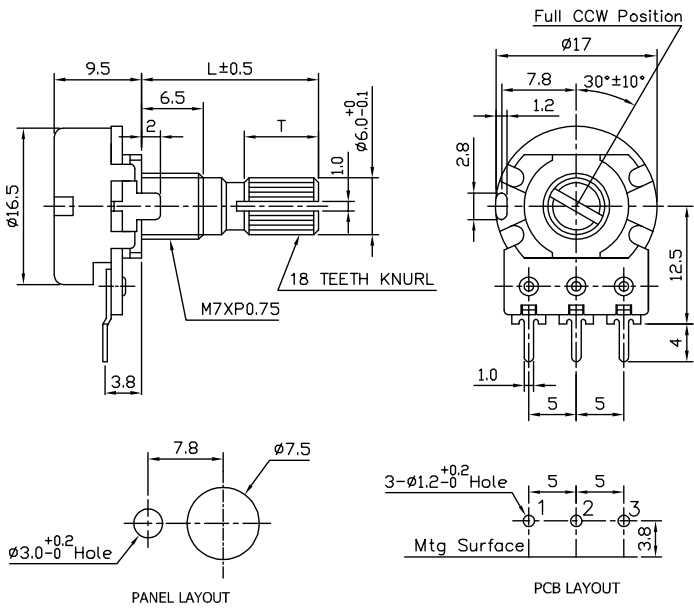
Model P160

OUTLINE DRAWING

Model P160KNP (Side Adjust , Solder Lugs)



Model P160KN (Side Adjust , PC pins)



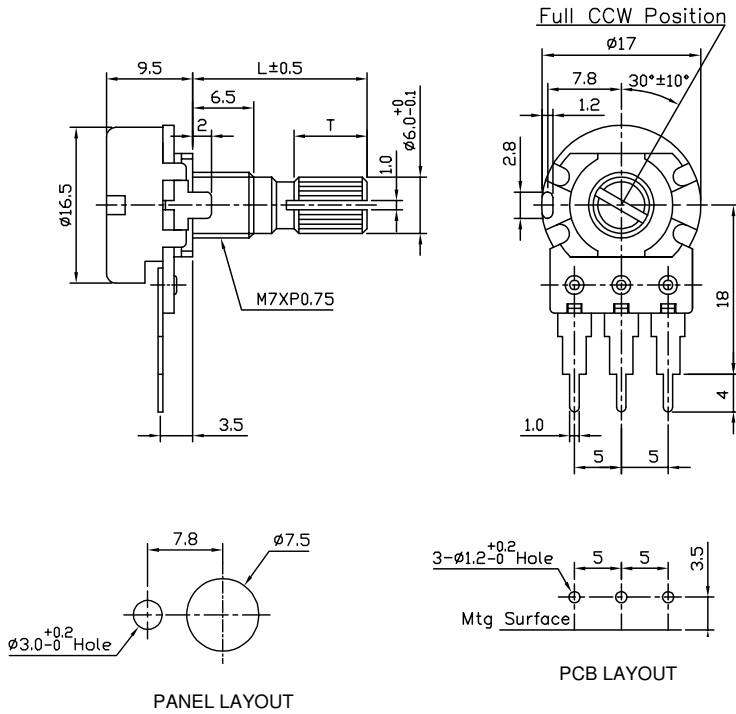
² Contact our customer service for custom designs and features.

BI Technologies Corporation
 4200 Bonita Place, Fullerton, CA 92835 USA
 Phone: 714 447 2345 Website: www.bitechnologies.com



Model P160

Model P160KN2 (Side Adjust , PC Pins, Long pins)



Model P160KNPD (Rear Adjust , PC Pins)

