

Ohmite molded composition potentiometers are available in various models for applications in military devices, industrial equipment and in equipment requiring a convenient resistance control device.



Potentiometers

Molded composition

FEATURES

- Low noise, smooth operation
- In accordance with "Mil" RV4N, RV4L, RV6L, RV6N, 2RV7N types
- RoHS compliant; non-RoHS version unavailable.

SPECIFICATIONS

Electrical

Derating: linear from 100% at +70°C to 0% at +120°C

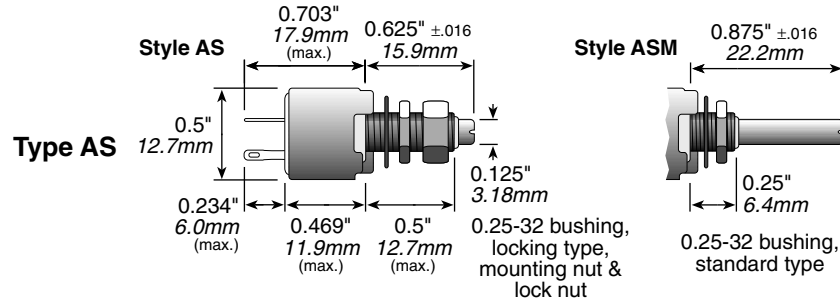
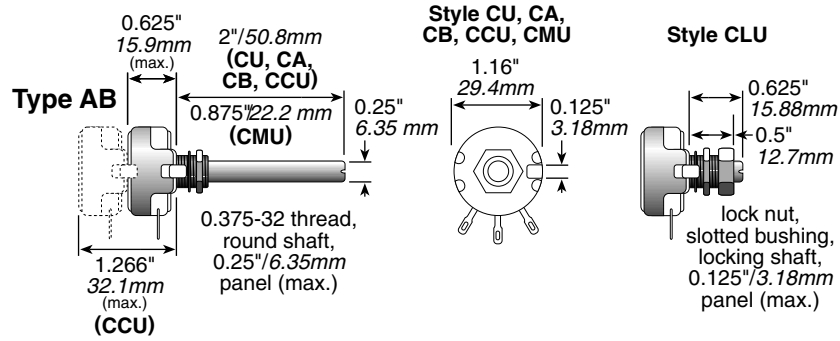
Operating temp. range: -55°C to 120°C

Material

Construction: Elements molded into a single, integral structure. Metal cover protects and shields the internal parts.

Sealing: synthetic resin containing non-mercurial fungicide

Since all rheostats/potentiometers are electro-mechanical devices, they are subject to mechanical wear and, therefore, have a finite life.



Model	Watts	Ohmic range	Behind panel (In./mm)	Diameter (In./mm)	Rotation	Voltage (RMS)
AS	0.5	50-5M	0.703/17.9	0.50/12.7	295° ±5°	350
ASM	0.5	50-5M	0.703/17.9	0.50/12.7	295° ±5°	350
CA	2.0	50-5M	0.625/15.9	1.16/29.4	312° ±3°	500
CB	2.0	50-5M	0.625/15.9	1.16/29.4	312° ±3°	500
CU	2.0	50-5M	0.625/15.9	1.16/29.4	312° ±3°	500
CCU	2.0	50-5M	1.266/32.1	1.16/29.4	312° ±3°	500
CLU	2.0	50-5M	0.625/15.9	1.16/29.4	312° ±3°	500
CMU	2.0	50-5M	0.625/15.9	1.16/29.4	312° ±3°	500

STANDARD PART NUMBERS FOR POTENTIOMETERS

Ohmic value	MIL Designation		Part No.								MIL Designation		Part No.											
	Prefix	Suffix	CMU	CJ	CA	CB	CLU	CCU	RV6LAYS	RV6MAYS	Prefix	Suffix	CMU	CJ	CA	CB	CLU	CCU	RV6LAYS	RV6MAYS				
50	500A	5001	✓	✓			✓					✓	AS3601E	✓	ASM6661E						✓	AS3609E	✓	ASM6669E
100	101A	1011	✓	✓			✓					✓	AS3602E	✓	ASM6662E						✓	AS3610E	✓	ASM6670E
150	151A	1511	✓	✓			✓					✓	AS3603E	✓	ASM6663E						✓	AS3611E	✓	ASM6671E
250	251A	2511	✓	✓			✓					✓	AS3604E	✓	ASM6664E						✓	AS3612E	✓	ASM6672E
350	351A	3511	✓	✓			✓					✓	AS3605E	✓	ASM6665E						✓	AS3613E	✓	ASM6673E
500	501A	5011	✓	✓			✓					✓	AS3606E	✓	ASM6666E						✓	AS3684E	✓	ASM6674E
750	751A	7511	✓	✓			✓					✓	AS3607E	✓	ASM6667E						✓	AS3614E	✓	ASM6675E
1,000	102A	1021	✓	✓			✓					✓	AS3608E	✓	ASM6668E						✓	AS3615E	✓	ASM6676E
1,500	152A	1521	✓	✓			✓					✓									✓			
2,500	252A	2521	✓	✓			✓					✓									✓			
3,500	352A	3521	✓	✓			✓					✓									✓			
5,000	502A	5021	✓	✓			✓					✓									✓			
7,500	752A	7521	✓	✓			✓					✓									✓			
10,000	103A	1031	✓	✓		✓	✓					✓									✓			
15,000	153A	1531	✓	✓			✓					✓									✓			
25,000	253A	2531	✓	✓			✓					✓									✓			
35,000	353A	3531	✓	✓			✓					✓									✓			

✓ = Standard values; check availability
 * add "-E" for RoHS-compliant lead-free zinc-nickel plated product

Check product availability at www.ohmite.com