

Key features

- spst, dpst, changeover switches available
- diecast or plastic bush available
- dual gang and dual concentric styles
- custom design available
- audio and linear laws
- mounting bracket
- eyelet or pc terminations
- plastic shafts up to 50mm



type 23 series

A very popular range of 20mm diameter potentiometers, the 23 Series can be tailored to suit more specific requirements. The potentiometers are available with a printed carbon resistance element, a choice of bush lengths in metal or plastic and insulated shafts up to 50mm in length.

Specification

Electrical

Resistance Range:	1K to 1M (Linear) - 4K7 to 470K (Non-Linear)
Resistance Values:	1, 2.2 and 4.7 in each decade
Resistance Tolerance:	± 20% (±10% by selection)
Power Rating at 20°C:	0.4 Watts (Linear) - 0.2 Watts (Non-Linear)
Limiting Element Voltage:	500V DC or AC RMS
Electrical Rotation:	267° without switch, 232° with switch
Terminal Resistance:	5 ohms maximum
Noise (ENR):	2% maximum (Linear) - 3% maximum (Non-Linear)
Insulation Resistance:	4G ohms minimum
Voltage Proof:	1000V AC Peak

Mechanical

End Stop Torque:	800mNm
Staring Torque:	15mNm maximum
Mechanical Adjustment:	300° nominal

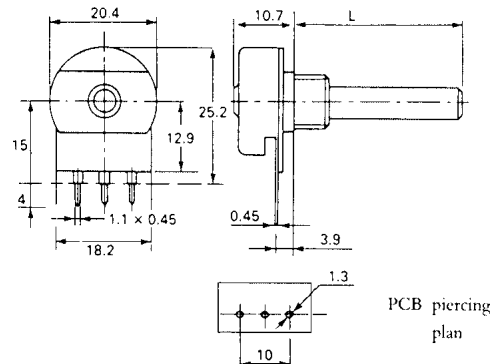
Environmental

Climatic Category:	25/70/04
Rotational Life:	15,000 cycles
Load Life:	ΔR <15% after 8 days @ 32°C RH 82%

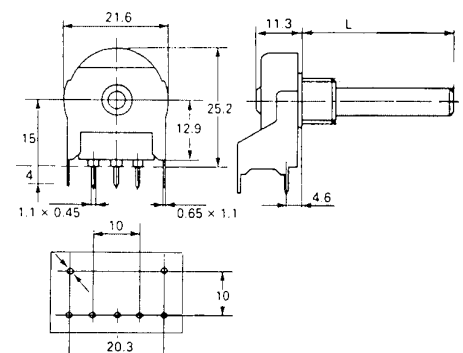
Potentiometers

Dimensions

Type 23



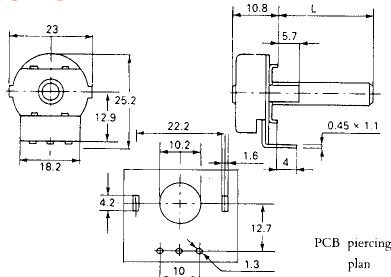
Type 24



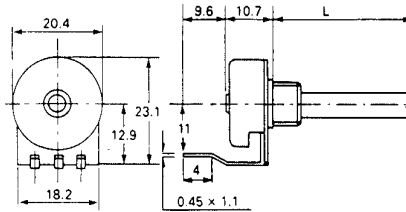
sales action desk (01793) 611666
 sales fax line (01793) 611777

Dimensions (Cont...)

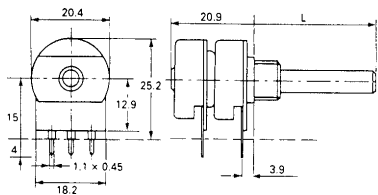
Type 25



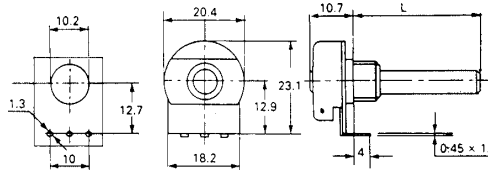
Type 26



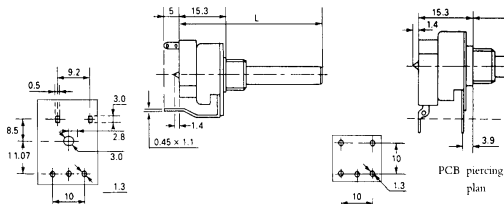
Type 27



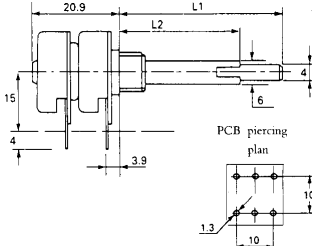
Type 28



Switched Types



Type 29



How To Order

23	E	S	A	103	M	W	A	22	B
Common Part	Customer Identity	Resistance Value			Bush Style			Shaft Style	Switch Details
23 - Std Spindle Style	S - Standard	The first two digits are significant figures of resistance value and the third one denotes the number of zeros following.			E - Diecast 3/8" x 8mm 6mm hole	A - Plain 6mm	A - DPST BS	A - DPST BS Approved 4A / 250V AC B - SPST Eyelet termination on rear. C - DPDT Changeover. D - DPST 4 Eyelet terminations on rear. N - No switch	
24 - Std with Mounting Bracket	X - Customer Special (see Drawing)	Example 1K :102 10K :103 100K:104			F - Diecast 3/8" x 12mm - no lug 6.35mm hole	B - Slotted 6mm			
25 - No bush Mtg Bracket swept back.	D - Special cut & mounted track	Law			G - Diecast 3/8" x 8mm - no lug 6mm hole	C - Flatted 6mm 5mm A/F		Shaft Length Length in mm i.e 22mm	
26 - PC terminals swept down to board for rear mounting.		A - Linear B - Log C - Inv. Log			K - Diecast 3/8" x 8mm - no lug 6.35mm hole	D - Flatted 6mm deep flat 4mm A/F			
27 - Dual Gang style single shaft same value/tolerance on each section.	Termination Style	Tolerance			L - Diecast M10 x 9mm no location lug 6mm hole	E - Plain 4mm			
28 - PC terminations swept forward parallel to shaft.	E - Std Eyelet	M ± 20%			M - Diecast 3/8" x 8mm 6.35mm hole	F - Full 6.35mm flat - special angle			
29 - Dual Concentric style.	P - Std PC	K ± 10%			P - Diecast M7 x 6mm - no lug 4mm hole	G - Flatted 4mm 6.35mm			
	15mm MH				R - Diecast 3/8" x 9mm - no lug 6.35mm hole	H - Plain 6.35mm			
	R - Long PC				S - Insulated M10 x 7mm 6mm hole	J - Flatted 6.35mm			
	S - PC Bent forward at 90°				T - Insulated M10 x 10mm 6mm hole	K - Flatted 4.6mm A/F			
	X - Extra Long PC for rear Mounting				U - No bush	L - Flatted 6mm 4.6mm A/F			

DIY Design

Where volumes are appropriate, the 23 Series can be customised to suit your individual requirements with features such as detent action, track centre tap etc.... Please call our technical sales team to discuss variations on these 20mm diameter devices.

type 23 series

In addition, the 23 Series includes a range of switches which are BS415 approved for both mains and low current, which can be offered as a standard feature. We can also supply "changeover" switches for specific applications. The 23, is truly your flexible friend.

Potentiometers

Please Request Full Data Sheet F0151