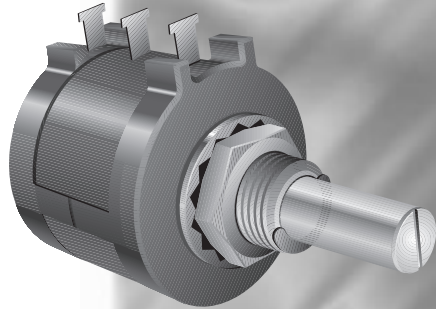


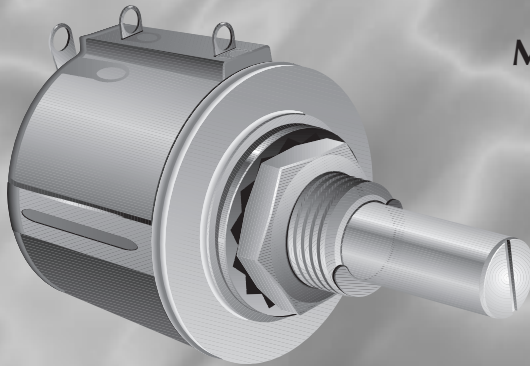
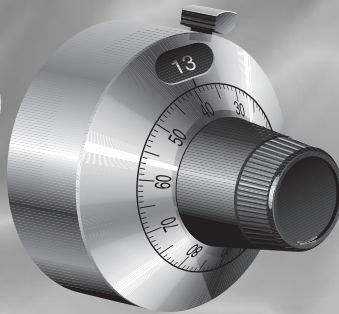
P E R F E C T

O
U
P
L
E
S



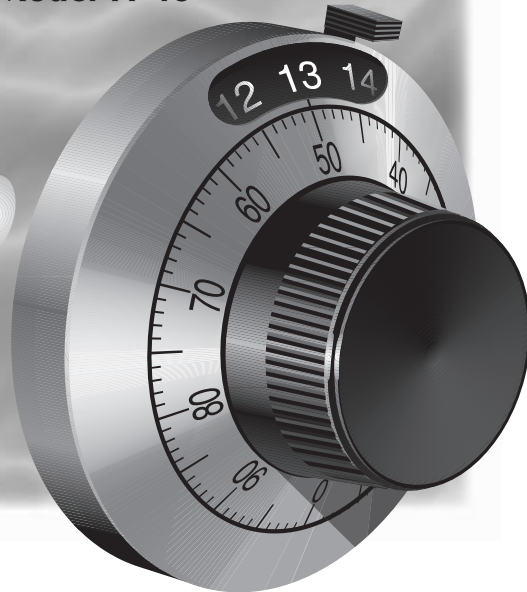
Model 3590

Model H-22



Model 3540

Model H-46



Introducing Two New Turns-Counting Dials



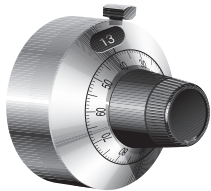
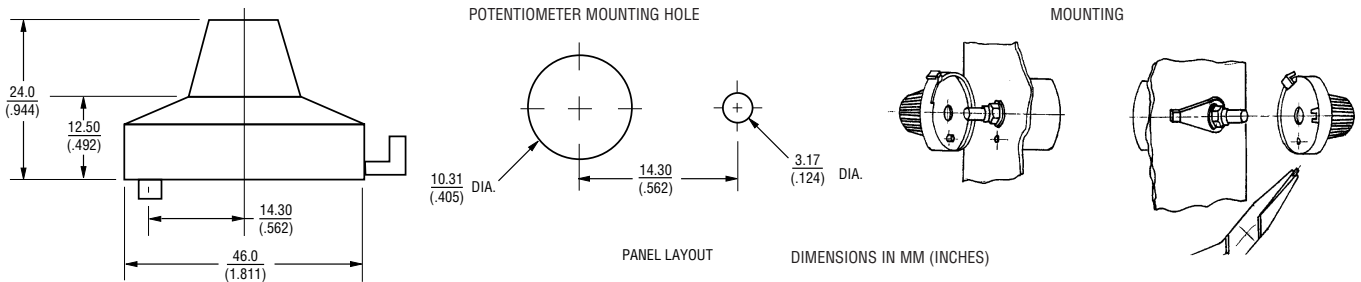
Model H-46

Part Number	Accepts Shaft Diameter
H-46-6A	1/4" (6.35mm)
H-46-6M	6mm

Full Metal Precision-Counting Dial

FEATURES

- Large package size with precision feel
- For use with precision potentiometers or other rotating devices up to 20 turns
- Excellent legibility - black marking on chrome background
- High quality cast and hardchrome housing, rugged construction
- Metal-to-metal setscrew threads
- No backlash - mounted directly to potentiometer shaft
- High force "CLICK-BRAKE"
- Two anti-rotation mounting systems with lug or nut



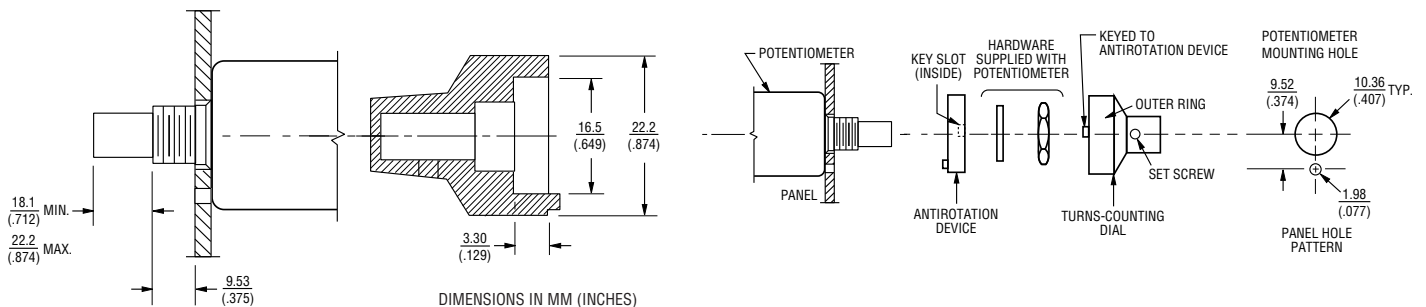
Model H-22

Part Number	Accepts Shaft Diameter
H-22-6A	1/4" (6.35mm)
H-22-6M	6mm
H-22-3A	1/8" (3.17mm)
H-22-6A-B All Black	1/4" (6.35mm)

Full Metal Precision-Counting Dial







FEATURES

- Compact - requires only 7/8" (22.2mm) diameter panel space
- For use with precision potentiometers or other rotating devices up to 15 turns
- Excellent legibility - back marking on chrome background
- High quality cast and hardchrome housing, rugged construction
- Metal-to-metal setscrew threads
- No backlash - mounted directly to potentiometer shaft
- High force "CLICK-BRAKE"



Specifications are subject to change without notice.

Turns-Counting Dials Guide

						
Specifications	H-46	H-22	H-506	CT-23	CT-26	H-490
Turns	0-20	0-15	0-15	0-10	0-10	0-30
Readout	Analog	Analog	Analog	Digital	Digital	Analog
Divisions/Turn	100	50	50	500	500	100
Brake	Yes	Yes	Yes	Yes	Yes	Yes
Diameter	46mm	22mm	22mm	27mm	28mm	25mm
Depth	25mm	24mm	25mm	31.5mm	31.5mm	23.1mm
Weight in Grams	73	15	7	34	34	7
Part Numbers/ Shaft Diameter	H-46-6A 1/4" H-46-6A 6mm	H-22-6A 1/4" H-22-6A-B 1/4" H-22-6M 6mm H-22-3A 1/8"	H-506-1/4 1/4"	CT-23-6A 1/4" CT-23-6M 6mm	CT-26-6A 1/4" CT-26-6M 6mm	H-493-2 3.18mm H-494-2 3.18mm H-491-3 6.35mm H-492-3 6.35mm H-493-3 6.35mm H-494-3 6.35mm H-492-2 3.18mm

For detailed specifications, reference the Bourns Product Catalog or www.bourns.com

Precision Potentiometers

3540S	X	X	X	X	X	X
3541H	X	X	X	X	X	X
3543H	X	X	X	X	X	X
3545S	X	X	X	X	X	X
3590S	X	X	X	X	X	X



Specifications are subject to change without notice.

Worldwide Sales Offices

Country	Phone	Fax
Benelux:	+31- 703004333	+31- 703004345
China/Hong Kong:	+86- (0)21 64821250	+86- (0)21 64821249
France:	+33- (0)2 54735151	+33- (0)2 54735156
Germany:	+49- (0)69 80078212	+49- (0)69 80078299
Ireland:	+44- (0)1276 691087	+44- (0)1276 691088
Italy:	+39- (0)2 57502103	+39- (0)2 57502138
Japan:	+81- (0)3 39803313	+81- (0)3 39803329
Singapore:	+65- 3461933	+65- 3461911
South Africa:	+27- (0)11 802 1400	+27- (0)11 802 1429
Switzerland:	+41- (0)41 7685555	+41- (0)41 7685510
Taiwan:	+886- (0)2 25624117	+886- (0)2 25624116
UK:	+44- (0)1276 691087	+44- (0)1276 691088
USA:	+1- (1)909 781 5500	+1- (1)909 781 5006

Non-Listed European Countries:

+41- 41 7685555 +41- 41 7685510

Technical Assistance

Region	Phone	Fax
Asia-Pacific	+886- (0)2 25624117	+886- (0)2 25624116
Europe:	+41- 41 7685555	+41- 41 7685510
North America:	+1- (1)909 781-5500	+1- (1)909 781-5700
	+1- (1)801 786-6200	+1- (1)801 786-6203
	+1- (1)435 750-7200	+1- (1)435 750-7253

www.bourns.com

Bourns® products are available through an extensive network of manufacturer's representatives, agents and distributors. To obtain technical applications assistance, a quotation, or to place an order, contact a Bourns representative in your area.

