

Features

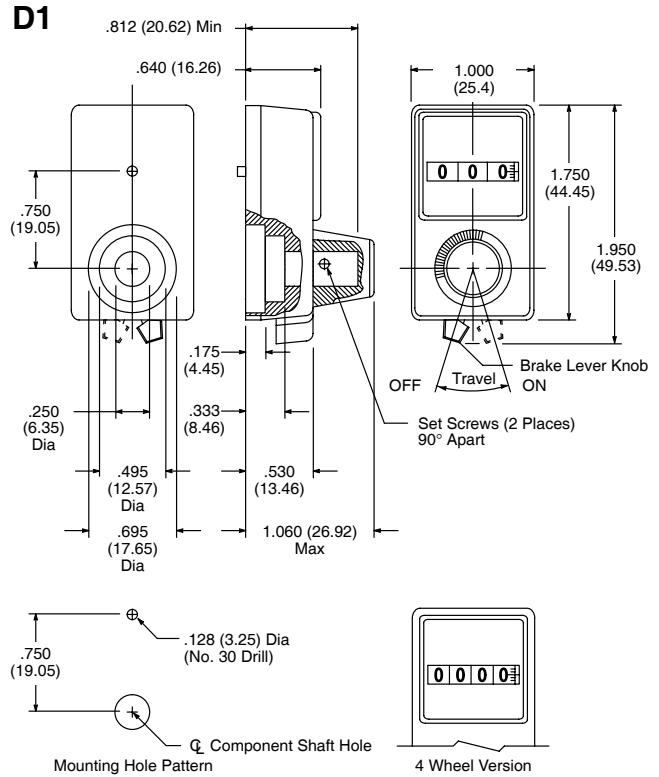
- 3 digit or 4 digit types
- 2 No. 4-40 hex socket set screws for mounting
- Brake lever knob
- Open window display
- Satin clear anodize finish



Spectrol No.	NTE Part No.	Numeric Display	No. of Turns	Diag No.
15-1-11	503-0001	3 Digit	10	D1
15-2-11	503-0002	4 Digit	100	D1

Spectrol Model 15

Dial – 1" x 1 3/4" rectangular, 1/4" dia shaft



Specifications

Operation

3 Digit (10 turn): The left digit indicates the number of complete revolutions of the turning knob and the right two digits indicate the percent of a revolution. The unit registers a total count of 999.

4 Digit (100 turn): The left two digits indicate the number of complete revolutions of the turning knob and the right two digits indicate the percent of a revolution. The unit registers a total count of 9999.

Minor Scale Division: 1/500 turn

Indication: 0 to 9.99 turn (3 Digit), 0 to 99.99 (4 Digit)

Accuracy: ±0.2% of knob position

Rotation: The indication shall increase with clockwise rotation.

Transfer Point: between 9.2 and 0

Mechanical

Shaft Bore: 0.250"

Runout: 0.004 in/in (Note 1)

Mounting: The spring detented knob shall be removed using a straight pull, exposing two No. 4-40 hex socket set screws for mounting the dial directly to the component shaft (hex key included).

Note 1. Dial to be free running and without binds when axis of drive sleeve is perpendicular to mounting surface within the specified dimension.