

MI DRG. NO.

4192G

REV.

# 4192

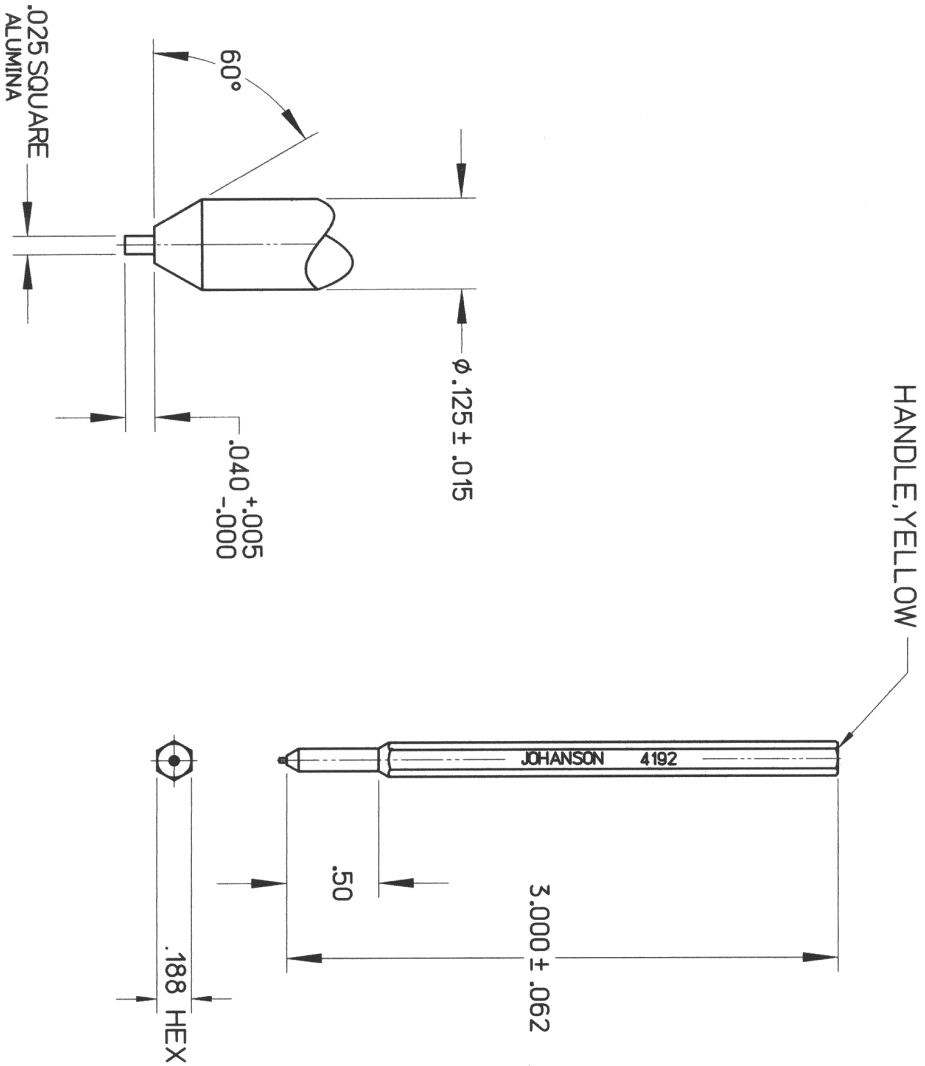
# G

## TUNING TOOL

NOTES

FILE: THINOUT

1. MATERIAL: DELRIN & ALUMINA
2. DIMENSIONS ARE IN INCHES.



JOHANSON MANUFACTURING CORPORATION  
 ROCKAWAY VALLEY ROAD, BOONTON, N.J. 07005 (973)334-2676 FAX (973)334-2954  
 ELECTRONIC ACCURACY THROUGH MECHANICAL PRECISION

PROPRIETARY INFORMATION CONTAINED NOT TO BE USED WITHOUT JOHANSON MANUFACTURING CORPORATION APPROVAL

REVISIONS					
DRN.	DATE	CHK.	CHK.	APP.	SCALE
G	03/16/00	-	-	-	000-108
LEVEL	DATE	DRN.	CHK.	APP.	ECN

DRN.	DATE	CHK.	DATE	APP.	SCALE
TAM	03/16/00	M	3/16/00	[Signature]	$1" = 1"$
DATE	DATE	DATE	DATE	DATE	SCALE
					$.XX \pm .015$
					$.XXX \pm .005$