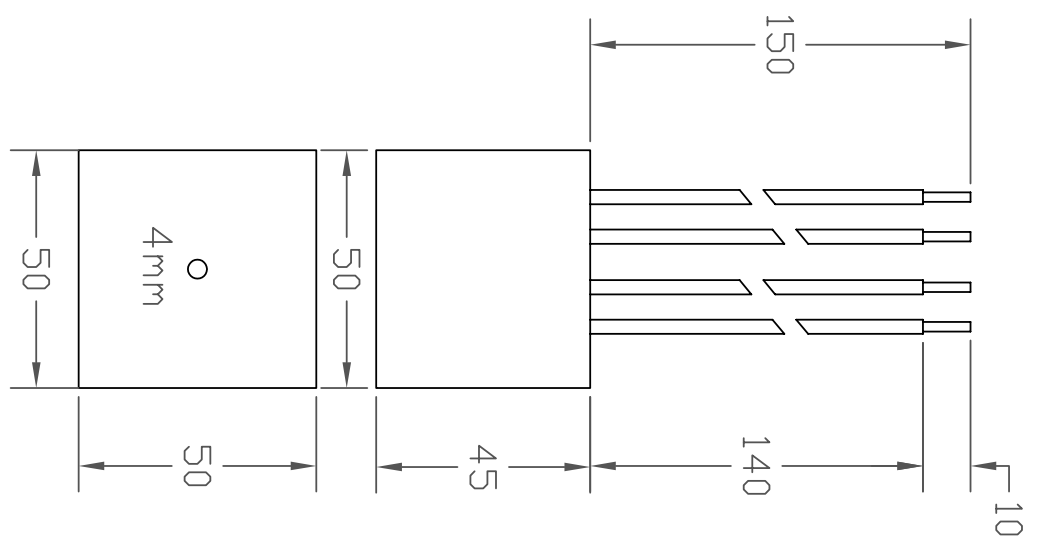
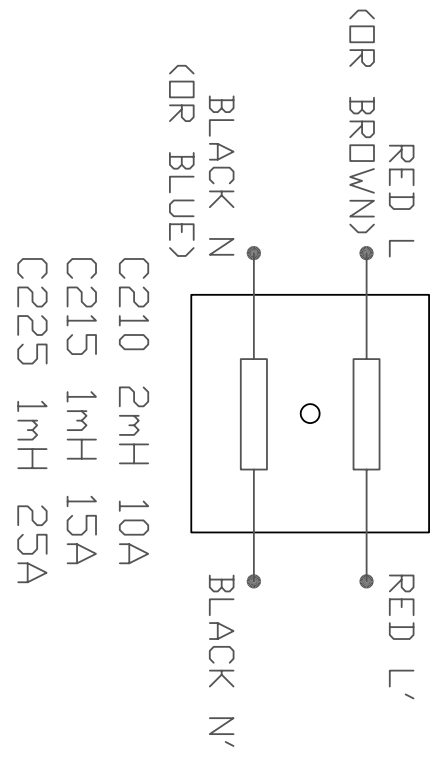


C210 & C215

ELECTRICAL DIAGRAM
(TOP VIEW)



C225

DrgNo C2XX-GS

TITLE CHOKES C210, C215, C225

ALL DIMENSIONS IN MM
ANGLES IN DECIMAL DEGREES

ROXBURGH EMC



2

GENERAL SPECIFICATION
FOR C2XX

CUSTOMER

REFERENCE

Scale: NTS

Sheet 1 / 1

© DELTRON EMCON LTD, E-MAIL SALES@DELTRON-EMCON.COM, WEBSITE WWW.DELTRON-EMCON.COM TEL +44 1724 273200 F +44 1724 270230

