



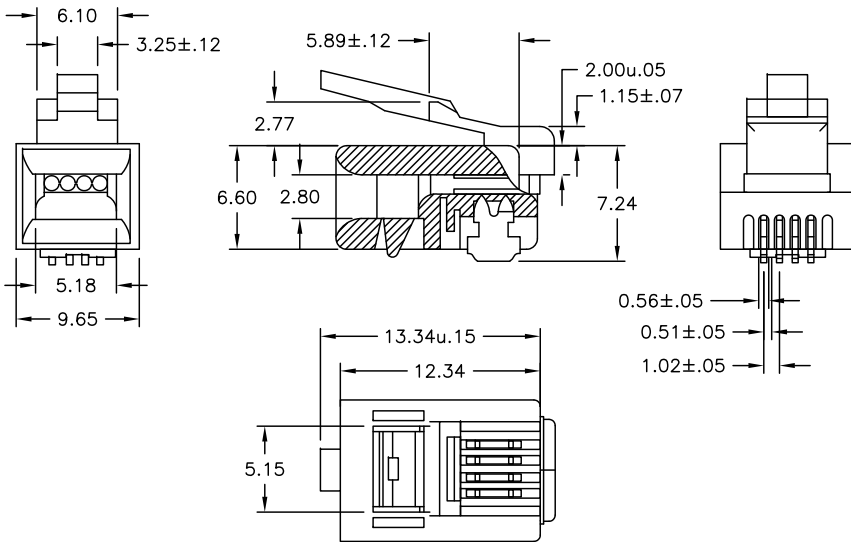
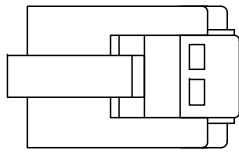
ALL RIGHTS RESERVED. NO PORTION OF THIS PUBLICATION, WHETHER IN WHOLE OR IN PART CAN BE REPRODUCED WITHOUT THE EXPRESS WRITTEN CONSENT OF SPC TECHNOLOGY.

SPC-F005.DWG

REVISIONS

DOC. NO. SPC-F005 * Effective: 7/8/02 * DCP No: 1398

DCP #	REV	DESCRIPTION	DRAWN	DATE	CHECKD	DATE	APPRVD	DATE
2053	A	RELEASED	JN	06/11/09	JWM	06/11/09	JWM	06/11/09



NOTES:

- ELECTRICAL SPECIFICATIONS
 - INSULATION RESISTANCE: 1000 MEGOHMS
 - WITHSTAND VOLTAGE: 1000V, AC/MINUTE
- MECHANICAL SPECIFICATIONS
 - CONTACT MATERIAL: PHOSPHOR BRONZE 0.3MM THICKNESS
 - CONTACT PLATING: 50 MICRO-INCH GOLD PLATE OVER 100 MICRO-INCH NICKEL PLATING
 - HOUSING MATERIAL: POLYCARBONATE
 - DURABILITY: 1000 CYCLES MIN
 - UL FLAMABILITY RATING: 94-V0
- ENVIRONMENTAL SPECIFICATIONS
 - TEMPERATURE RANGE: -40 ° TO +70°
- FOR FLAT CABLE

DISCLAIMER:
ALL STATEMENTS AND TECHNICAL INFORMATION CONTAINED HEREIN ARE BASED UPON INFORMATION AND/OR TESTS WE BELIEVE TO BE ACCURATE AND RELIABLE. SINCE CONDITIONS OF USE ARE BEYOND OUR CONTROL, THE USER SHALL DETERMINE THE SUITABILITY OF THE PRODUCT FOR THE INTENDED USE AND ASSUME ALL RISK AND LIABILITY WHATSOEVER IN CONNECTION THEREWITH.

TOLERANCES:
UNLESS OTHERWISE SPECIFIED, DIMENSIONS ARE FOR REFERENCE PURPOSES ONLY.

DRAWN BY:	DATE:
Jason Nash	06/11/09
CHECKED BY:	DATE:
JWM	06/11/09
APPROVED BY:	DATE:
JWM	06/11/09

DRAWING TITLE:			
RJ11 (6P4C) MOD PLUG 50"U,STR,FLAT			
SIZE	DWG. NO.	ELECTRONIC FILE	REV
A	8588-0172	52N9462.dwg	A
SCALE:	U.O.M.:	SHEET:	
NTS	Millimeters	1 OF 1	