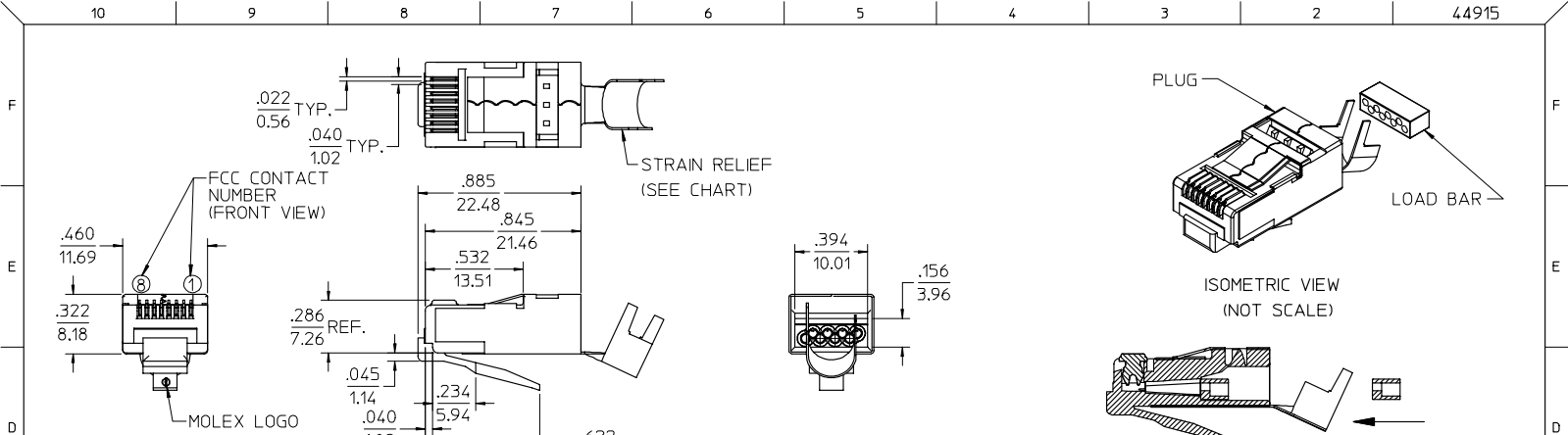


- NOTES:
1. MATERIAL:
PLUG: POLYCARBONATE, 94V-0, COLOR: CLEAR.
LOAD BAR: POLYCARBONATE, 94V-0, COLOR: CLEAR,
CONTACTS: PHOSPHOR BRONZE.
 2. CONTACT PLATING:
50 MICROINCHES / 1.27 MICROMETERS MIN. SELECT GOLD OVER
100 MICROINCHES / 2.54 MICROMETERS MIN. NICKEL UNDERPLATE.
 3. PRODUCT SPECIFICATION: PS-44915-003
 4. PACKAGING SPECIFICATION:
ALL PARTS ARE BULK PACKED PER MOLEX PACKAGING
SPECIFICATION PK-44915-003.
 5. FOR USE WITH 22 TO 28 AWG SOLID OR STRANDED
CONDUCTORS WITH AN INSULATION O.D. RANGE OF .037/0.94 -
.042/1.07 AND A JACKET O.D. OF .217/5.5 - .256/6.5.
 6. EIGHT CONDUCTOR MODULAR PLUG, CONFORMS TO F.C.C.
REGULATION PART 68.5 FOR MODULAR PLUGS.
 7. PLUG REQUIRES THE LOAD BAR.
 8. ALL UNTOLERANCED DIMENSIONS ARE FOR REFERENCE ONLY.
 9. PLUG EXCEEDS CATEGORY 5 EIA/TIA 2840, ANNEX B
SPECIFICATION, PERFORMANCE TUNED TO CABLES MEETING
PROPOSED CATEGORY 6 SPECIFICATIONS.
 10. THE PRIMARY SHIPPING CARTON WILL BE LABELED *COMPLIANT
TO RoHS DIRECTIVE 2002/95/EC AND ELV ANNEX II OF
DIRECTIVE 2000/53/EC*. CARTONS WITHOUT THIS LABEL
MAY NOT BE COMPLIANT.
 11. THIS PART CONFORMS TO CLASS B REQUIREMENTS OF
COSMETIC SPECIFICATION PS-45499-002.

MATERIAL NUMBER	MOLEX LOGO
449150001	YES
449150002	NO

UPDATE NOTE 5 EC NO: UCP2007-1736 DRAWN: BELL 2007/01/29 CHECKED: SCHMIDT 2007/01/30 APPROVED: SMITH 2007/02/01 REV: A5	QUALITY SYMBOLS ▽=0 ▽=0	GENERAL TOLERANCES (UNLESS SPECIFIED)	DIMENSION STYLE IN/MM	SCALE 2:1	DESIGN UNITS INCH	THIRD ANGLE PROJECTION																
	<table border="1"> <thead> <tr> <th></th> <th>mm</th> <th>INCH</th> </tr> </thead> <tbody> <tr> <td>4 PLACES</td> <td>± .005</td> <td>± .0005</td> </tr> <tr> <td>3 PLACES</td> <td>± .008</td> <td>± .0008</td> </tr> <tr> <td>2 PLACES</td> <td>± .012</td> <td>± .0012</td> </tr> <tr> <td>1 PLACE</td> <td>± .015</td> <td>± .0015</td> </tr> </tbody> </table>		mm	INCH	4 PLACES	± .005	± .0005	3 PLACES	± .008	± .0008	2 PLACES	± .012	± .0012	1 PLACE	± .015	± .0015	DRAWN BY MARGULIS DATE 01/01/12	CHECKED BY MARGULIS DATE 01/01/12	APPROVED BY COMERC I DATE 01/01/12	TITLE RJ-45 PLUG FOR PROPOSED CAT 6 SPECIFICATIONS	MOLEX INCORPORATED	SHEET NO. 1 OF 2
		mm	INCH																			
	4 PLACES	± .005	± .0005																			
3 PLACES	± .008	± .0008																				
2 PLACES	± .012	± .0012																				
1 PLACE	± .015	± .0015																				
DRAFT WHERE APPLICABLE MUST REMAIN WITHIN DIMENSIONS	MATERIAL NO. SEE CHART	DOCUMENT NO. SD-44915-001	THIS DRAWING CONTAINS INFORMATION THAT IS PROPRIETARY TO MOLEX INCORPORATED AND SHOULD NOT BE USED WITHOUT WRITTEN PERMISSION																			
SIZE B																						



- NOTES:
1. MATERIAL:
 PLUG: POLYCARBONATE, 94V-0, COLOR: CLEAR,
 LOAD BAR: POLYCARBONATE, 94V-0, COLOR: CLEAR,
 CONTACTS: PHOSPHOR BRONZE,
 SHIELD: BRASS.
 2. CONTACT PLATING:
 50 MICROINCHES / 1.27 MICROMETERS MIN. SELECT GOLD OVER
 100 MICROINCHES / 2.54 MICROMETERS MIN. NICKEL UNDERPLATE.
 SHIELD:
 100 MICROINCHES / 2.54 MICROMETERS BRIGHT TIN OVER
 30 MICROINCHES / 0.76 MICROMETERS COPPER UNDERPLATE.
 3. PRODUCT SPECIFICATION: PS-44915-003
 4. PACKAGING SPECIFICATION:
 ALL PARTS ARE BULK PACKED PER MOLEX PACKAGING
 SPECIFICATION PK-44915-003.
 5. FOR USE WITH 22 TO 28 AWG SOLID OR STRANDED
 CONDUCTORS WITH AN INSULATION O.D. RANGE OF .037/0.94 -
 .042/1.07 AND A JACKET O.D. OF .217/5.5 - .256/6.5.
 6. EIGHT CONDUCTOR MODULAR PLUG CONFORMS TO F.C.C.
 REGULATION PART 68.5 FOR MODULAR PLUGS.
 7. PLUG REQUIRES THE LOAD BAR.
 8. ALL UNTOLERANCED DIMENSIONS ARE FOR REFERENCE ONLY.
 9. PLUG EXCEEDS CATEGORY 5 EIA/TIA 2840, ANNEX B
 SPECIFICATION, PERFORMANCE TUNED TO CABLES MEETING
 PROPOSED CATEGORY 6 SPECIFICATIONS.
 10. THE PRIMARY SHIPPING CARTON WILL BE LABELED "COMPLIANT
 TO RoHS DIRECTIVE 2002/95/EC AND ELV ANNEX II OF
 DIRECTIVE 2000/53/EC". CARTONS WITHOUT THIS LABEL
 MAY CONTAIN PRODUCT WITH TIN-LEAD IN THE SHIELD.
 11. THIS PART CONFORMS TO CLASS B REQUIREMENTS OF
 COSMETIC SPECIFICATION PS-45499-002.

MATERIAL NUMBER	MOLEX LOGO	STRAIN RELIEF
449150011	YES	NO
449150012	NO	NO
449150021	YES	YES
449150022	NO	YES

UPDATE NOTE 2 & 5 EC NO: UCP2007-1736 DRAWN: BELL 2007/01/29 CHECKED: SCHMIDT 2007/01/30 APPROVED: SMITH 2007/02/01 REV: A5	QUALITY SYMBOLS ▽=0 ▽=0	GENERAL TOLERANCES (UNLESS SPECIFIED) <table border="1"> <thead> <tr> <th></th> <th>mm</th> <th>INCH</th> </tr> </thead> <tbody> <tr> <td>4 PLACES</td> <td>± .15</td> <td>± .005</td> </tr> <tr> <td>3 PLACES</td> <td>± .10</td> <td>± .003</td> </tr> <tr> <td>2 PLACES</td> <td>± .07</td> <td>± .002</td> </tr> <tr> <td>1 PLACE</td> <td>± .05</td> <td>± .001</td> </tr> </tbody> </table> ANGULAR ±1/2°		mm	INCH	4 PLACES	± .15	± .005	3 PLACES	± .10	± .003	2 PLACES	± .07	± .002	1 PLACE	± .05	± .001	DIMENSION STYLE IN/MM DRAWN BY MARGULIS DATE 01/01/12 CHECKED BY MARGULIS DATE 01/01/12 APPROVED BY COMERC I DATE 01/01/12	SCALE 2:1 DESIGN UNITS INCH THIRD ANGLE PROJECTION	TITLE RJ-45 PLUG FOR PROPOSED CAT 6 SPECIFICATIONS
		mm	INCH																	
	4 PLACES	± .15	± .005																	
	3 PLACES	± .10	± .003																	
2 PLACES	± .07	± .002																		
1 PLACE	± .05	± .001																		
DRAFT WHERE APPLICABLE MUST REMAIN WITHIN DIMENSIONS		MATERIAL NO. SEE CHART	MOLEX INCORPORATED		SHEET NO. 2 OF 2															
THIS DRAWING CONTAINS INFORMATION THAT IS PROPRIETARY TO MOLEX INCORPORATED AND SHOULD NOT BE USED WITHOUT WRITTEN PERMISSION																				