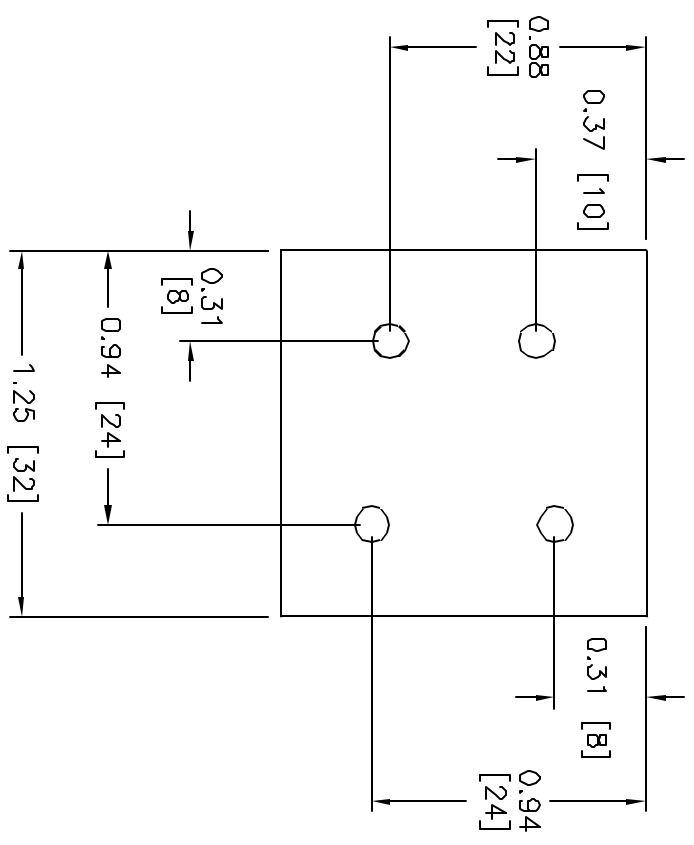
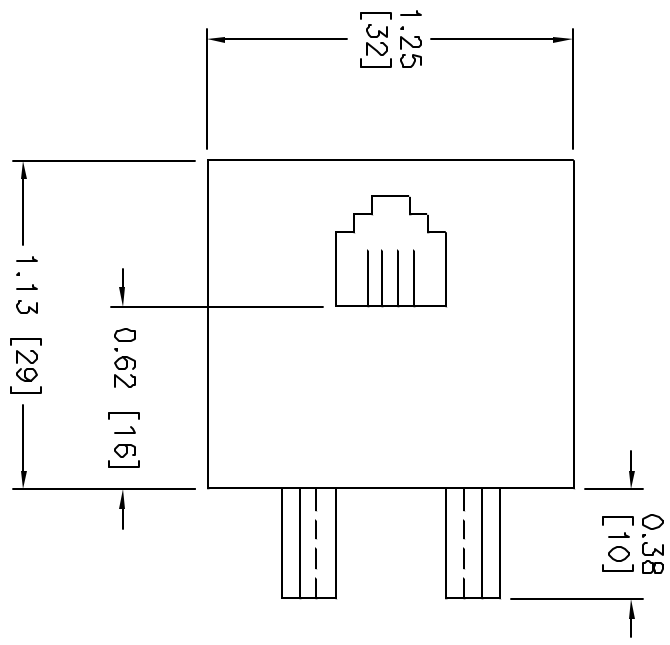


ALL RIGHTS RESERVED. NO PORTION OF THIS PUBLICATION, WHETHER IN WHOLE OR IN PART CAN BE REPRODUCED WITHOUT THE EXPRESS WRITTEN CONSENT OF SPC TECHNOLOGY.

REVISONS		DOC. NO. SPC--FD05 * Effective: 12/21/98 * DCP No. 880	
DCP #	REV	DESCRIPTION	DATE
1147	A	RELEASED	5/19/01



- SPECIFICATIONS:**
- CONNECTOR "A": RJ-11  
6 POSITION / 4 CONDUCTOR
  - CONNECTOR "B": STANDARD PLUG  
4 PRONG

**PIN-OUT**

YELLOW --- YELLOW  
 GREEN --- GREEN  
 RED --- RED  
 BLACK --- BLACK

**DISCLAIMER**  
 ALL STATEMENTS AND TECHNICAL INFORMATION CONTAINED HEREIN ARE BASED UPON INFORMATION AND/OR TESTS WE BELIEVE TO BE ACCURATE AND RELIABLE. SINCE CONDITIONS OF USE ARE BEYOND OUR CONTROL, THE USER SHALL DETERMINE THE SUITABILITY OF THE PRODUCT FOR THE INTENDED USE AND ASSUME ALL RISK AND LIABILITY WHATSOEVER IN CONNECTION THEREWITH.

**SPC TECHNOLOGY**

DRAWING TITLE: **STANDARD TO MODULAR ADAPTER**

UNLESS OTHERWISE SPECIFIED, DIMENSIONS ARE FOR REFERENCE PURPOSES ONLY.

DRAWN BY: HISHAM ODISH  
 CHECKED BY: JOHN COLE  
 APPROVED BY: DANIEL CAREY

DATE: 4/11/01  
 DATE: 5/18/01  
 DATE: 5/18/01

SIZE: **A**

DWG. NO.: **8588-0204**

ELECTRONIC FILE: **52N9494.DWG**

SCALE: NTS

U.O.M.: INCHES [mm]

SHEET: 1 OF 1