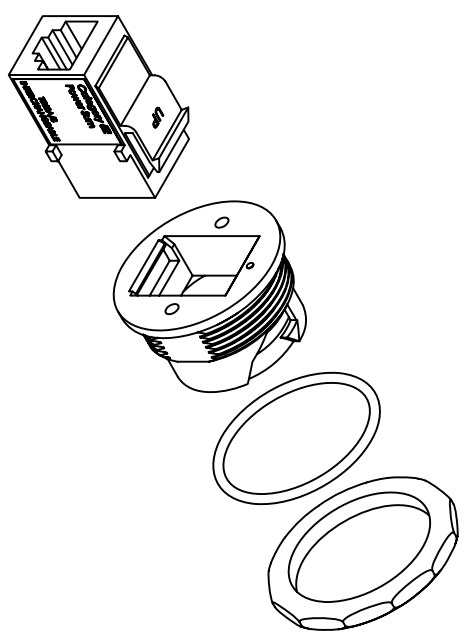
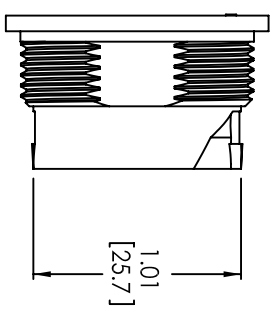
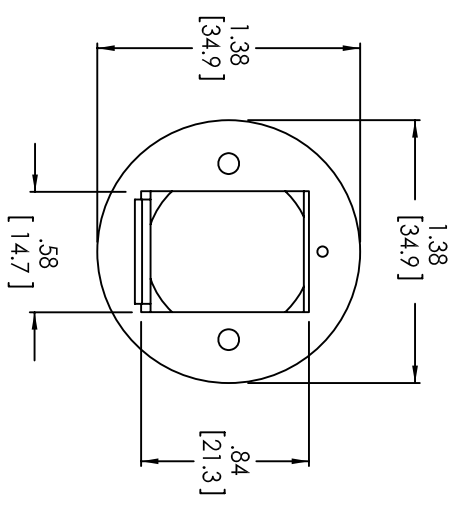
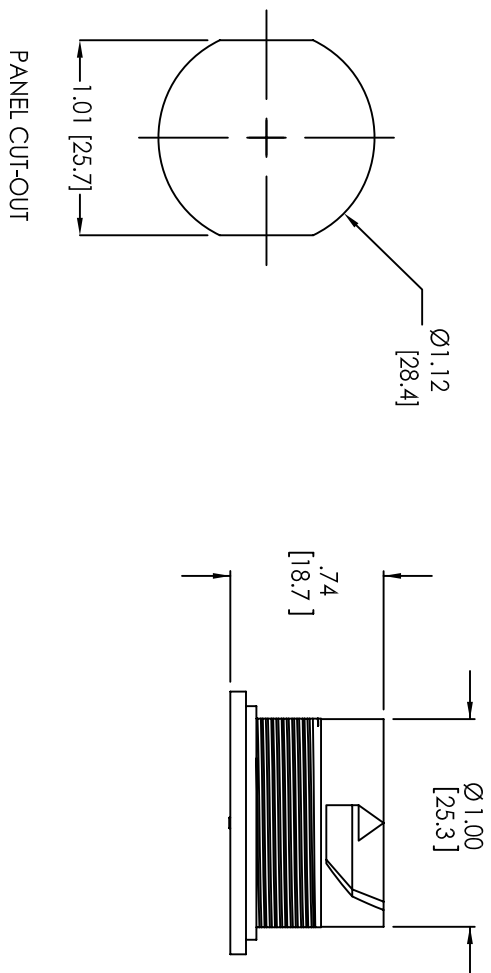


THE INFORMATION CONTAINED IN THIS DRAWING IS THE SOLE PROPERTY OF L-COM, INC. ANY REPRODUCTION IN PART OR WHOLE WITHOUT THE WRITTEN PERMISSION OF L-COM, INC. IS PROHIBITED.

REV	DESCRIPTION	DATE	APPROVED
A	INITIAL RELEASE	05/09/07	C.BERUBE



PANEL CUT-OUT

NOTES:
MATERIAL
 HOUSING: THERMOPLASTIC
 NUT: STEEL
 GASKET: RUBBER

MISCELLANEOUS
 ASSEMBLY TO BE INDIVIDUALLY PACKED IN A POLY BAG
 ASSEMBLY TO BE ROHS COMPLIANT
 ALL DIMS ARE FOR REFERENCE ONLY
 KIT IS SHIPPED UN-ASSEMBLED.

APPROVALS	DATE
DRAWN BY C.BERUBE	05/09/07
CHECKED BY DF	05/09/07
APPROVED BY DF	05/09/07

L-COM COMMUNITY PRODUCTS

45 BEECHWOOD DRIVE
 NORTH ANDOVER, MA
 01845

CATEGORY: MODULAR

PRODUCT DESCRIPTION: RECEPTACLE REAR PANEL MOUNT

SIZE: A
 ESCM NO.: 43321
 DWG. NO.: WT67KCSRM

SCALE: NONE
 CAD FILE: WT67KCSRM.SLDRW

SHEET 1 OF 1

8 7 6 5 4 3 2 1