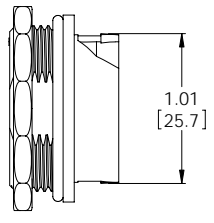
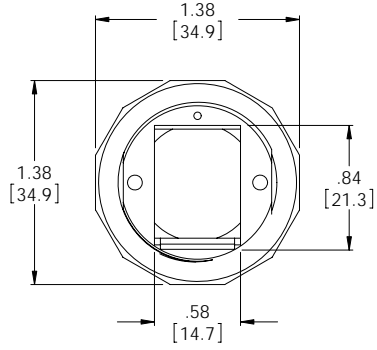
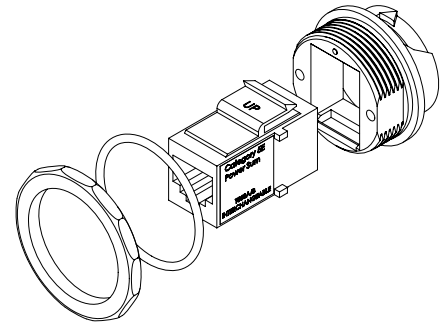
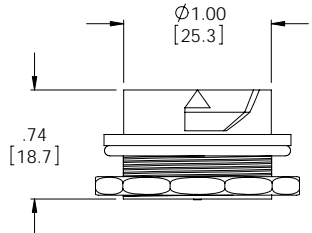
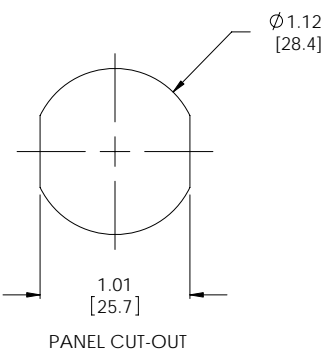


THE INFORMATION CONTAINED IN THIS DRAWING IS THE SOLE PROPERTY OF L-COM, INC. ANY REPRODUCTION IN PART OR WHOLE WITHOUT THE WRITTEN PERMISSION OF L-COM, INC. IS PROHIBITED.

REVISIONS			
REV	DESCRIPTION	DATE	APPROVED
A	INITIAL RELEASE	04/13/07	C.BERUBE



**NOTES:**

**MATERIAL**

HOUSING: THERMOPLASTIC  
NUT: STEEL  
GASKET: RUBBER

**MISCELLANEOUS**

ASSEMBLY TO BE INDIVIDUALLY PACKED IN A POLY BAG  
ASSEMBLY TO BE ROHS COMPLIANT  
ALL DIMS ARE FOR REFERENCE ONLY  
KIT IS SHIPPED UN-ASSEMBLED.

DIMENSIONS ARE IN INCHES [mm] UNLESS OTHERWISE SPECIFIED, TOLERANCES TO BE: .X ± .1 [2.5] ANGLES ±2° .XX ± .01 [25] .XXX ± .005 [13] OVERALL CABLE LENGTH TOL: ≤ 60 [1524] +3 [76.2] / -0 > 60 [1524] +5% / -0%	APPROVALS	DATE
	DRAWN BY C.BERUBE	02/21/07
	CHECKED BY J.ROBERTS	04/13/07
	APPROVED BY J.ROBERTS	04/13/07
PROJ	CONFIGURATION DETAILS OF UNDIMENSIONED FEATURES MAY VARY	

	45 BEECHWOOD DRIVE NORTH ANDOVER, MA 01845	
	CATEGORY MODULAR	
PRODUCT DESCRIPTION RECEPTACLE FRONT PANEL MOUNT		
SIZE <b>A</b>	FSCM NO. 43321	DWG. NO. WT67KC5FM
SCALE: NONE	CAD FILE: WT67KC5FMSLDDRW	REV. <b>A</b> SHEET 1 OF 1