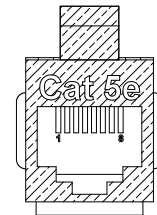
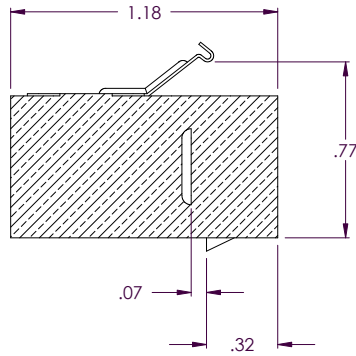
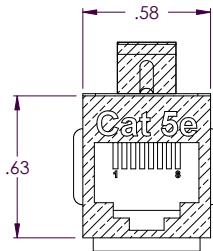
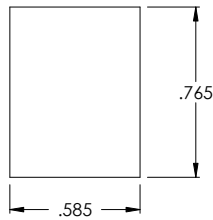
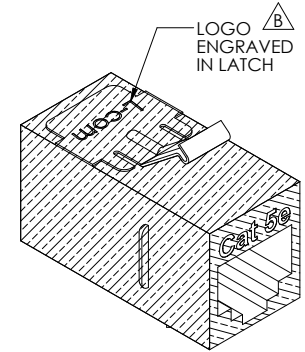


THE INFORMATION CONTAINED IN THIS DRAWING IS THE SOLE PROPERTY OF L-COM, INC. ANY REPRODUCTION IN PART OR WHOLE WITHOUT THE WRITTEN PERMISSION OF L-COM, INC. IS PROHIBITED.

REVISIONS			
REV	DESCRIPTION	DATE	APPROVED
A	INITIAL RELEASE	4/12/04	DFF
B	ECN1961: ADDED NOTE "LOGO ENGRAVED IN LATCH"	1/26/05	DFF



WIRING	
PIN 1	PIN 1
PIN 2	PIN 2
PIN 3	PIN 3
PIN 4	PIN 4
PIN 5	PIN 5
PIN 6	PIN 6
PIN 7	PIN 7
PIN 8	PIN 8
SHIELD	SHIELD



RECOMMENDED PANEL OPENING

Component Specification	
Material	
Housing	Thermoplastic, UL94V-0 compliant, Color: Black
Contacts	Phosphor Bronze
Contact Plating	Gold, 50 microns over nickel plating
Shield	Copper Alloy with Nickel Plating
Design	
Jack	Compliant to mechanical requirements of FCC 68.5 Subpart F
Electrical	
Current Rating	1.5 Amp (max)
Voltage Rating	150 volts
Environmental	
Operating Temperature Range	-40°C to +70°C
Application	
Rating	Category 5e
Wiring	Straight through
Maximum Panel Thickness	.065"

CS-249

UNLESS OTHERWISE SPECIFIED, DIMENSIONS ARE IN INCHES. TOLERANCES ARE:
 X ±.1
 .XX ±.05
 .XXX ±.005
 CABLE LENGTH TOLERANCE
 <300' ±5% >300' ±2%

APPROVALS	DATE
DRAWN BY D. PARHAM	4/8/2004
CHECKED BY T. CLARK	4/9/2004
APPROVED BY C. McCORMICK	4/12/2004

CONFIGURATION DETAILS OF UNDIMENSIONED FEATURES MAY VARY

L-com COMMUNITY PRODUCTS		45 BEECHWOOD DRIVE NORTH ANDOVER, MA 01845	
PRODUCT DESCRIPTION CAT 5E - SHIELDED RJ45 KEYSTONE FEED-THRU COUPLER			
DRAWING TITLE OUTLINE DRAWING			
SIZE A	PSCM NO. 43321	DWG. NO. TDG1026KS-C5E-OD1	REV B
SCALE: 10:1			FILE: TDG1026KS-C5E-OD1.SLDDRW
			SHEET 1 OF 1

8 7 6 5 4 3 2 1