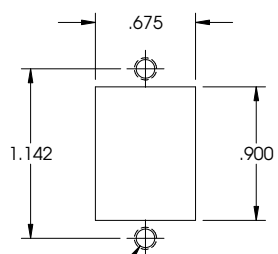
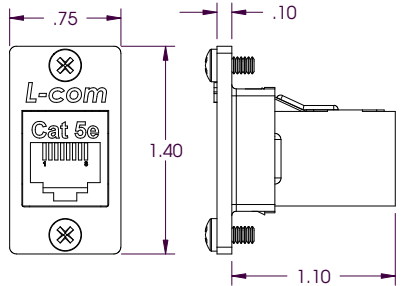


THE INFORMATION CONTAINED IN THIS DRAWING IS THE SOLE PROPERTY OF L-COM, INC. ANY REPRODUCTION IN PART OR WHOLE WITHOUT THE WRITTEN PERMISSION OF L-COM, INC. IS PROHIBITED.

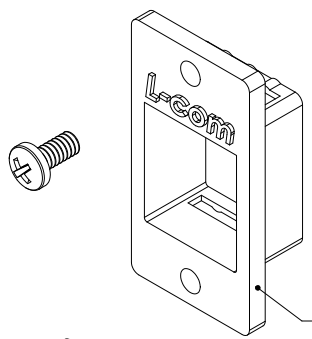
| REVISIONS | | | |
|-----------|------------------------------|----------|-----------|
| REV | DESCRIPTION | DATE | APPROVED |
| A | INITIAL RELEASE | 4/13/04 | D. PARHAM |
| B | ECN#2427: ADDED KIT CONTENTS | 05/30/06 | D. PARHAM |



RECOMMENDED PANEL OPENING



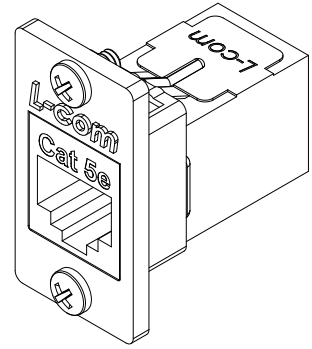
CAT 5E - SHIELDED RJ45 KEYSTONE FEED-THRU COUPLER (L-COM P/N: TDG1026KS-C5E)



FLANGE MOUNTED KEYSTONE ADAPTOR



2X 4-40UNC-2A X 1/4" LONG



KIT SHOWN FULLY ASSEMBLED FOR CLARITY (KIT IS SHIPPED UN-ASSEMBLED)

- △ KIT INCLUDES:
- 1- SHIELDED COUPLER
 - 1- FLANGE ADAPTOR
 - 1- PACKAGE MOUNTING SCREWS (4-40x 1/4")

| Component Specifications | |
|--------------------------|-----------------|
| Material | |
| Flanged Adaptor | Zinc Alloy |
| Hardware | Stainless Steel |
| Finish | |
| Flanged Adaptor | Nickel Plate |

CS-188

UNLESS OTHERWISE SPECIFIED, DIMENSIONS ARE IN INCHES
 X ± .1
 XX ± .05
 XXX ± .005
 CABLE LENGTH TOLERANCE
 <300 ± 5% >300 ± 2%

| APPROVALS | DATE |
|-----------------------------|-----------|
| DRAWN BY D. PARHAM | 4/8/2004 |
| CHECKED BY T. CLARK | 4/13/2004 |
| APPROVED BY C. McCORMICK | 4/13/2004 |

L-com 45 BEECHWOOD DRIVE
 NORTH ANDOVER, MA 01845

PRODUCT DESCRIPTION
 KIT, PANEL COUPLER, DELUXE, CAT 5E SHLD RJ45

DRAWING TITLE
OUTLINE DRAWING

| | | | |
|------------------|----------------------------------|-----------------------------|------------------|
| SIZE A | PSCM NO. 43321 | DWG. NO. ECF504-SC5E-OD1 | REV. B |
| SCALE: NONE | CAD FILE: ECF504-SC5E-OD1.SLDDRW | SHEET 1 OF 1 | |

CONFIGURATION DETAILS OF UNDIMENSIONED FEATURES MAY VARY