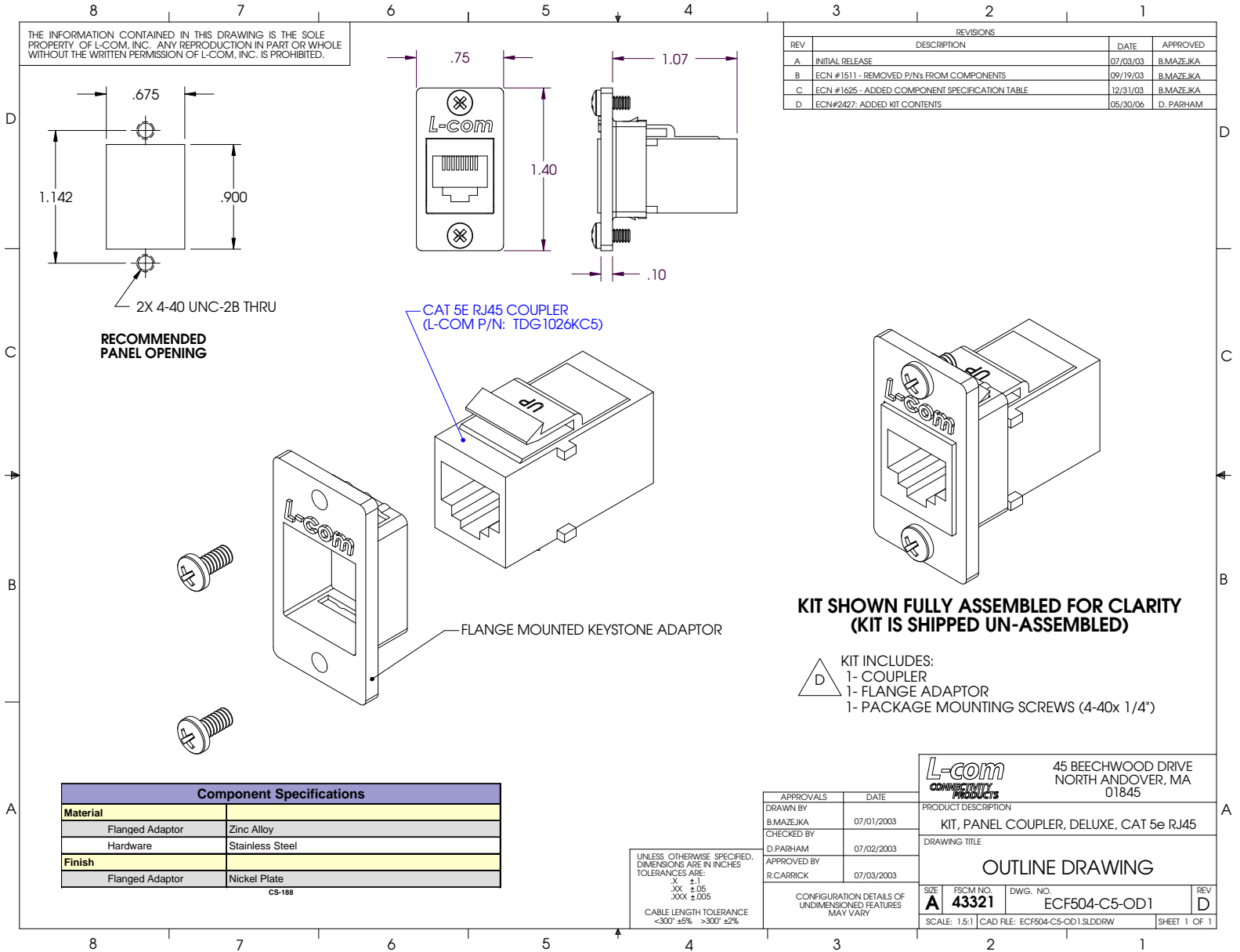


THE INFORMATION CONTAINED IN THIS DRAWING IS THE SOLE PROPERTY OF L-COM, INC. ANY REPRODUCTION IN PART OR WHOLE WITHOUT THE WRITTEN PERMISSION OF L-COM, INC. IS PROHIBITED.

REVISIONS			
REV	DESCRIPTION	DATE	APPROVED
A	INITIAL RELEASE	07/03/03	B.MAZEJKA
B	ECN #1511 - REMOVED P/Ns FROM COMPONENTS	09/19/03	B.MAZEJKA
C	ECN #1625 - ADDED COMPONENT SPECIFICATION TABLE	12/31/03	B.MAZEJKA
D	ECN#2427: ADDED KIT CONTENTS	05/30/06	D. PARHAM



Component Specifications	
<b>Material</b>	
Flanged Adaptor	Zinc Alloy
Hardware	Stainless Steel
<b>Finish</b>	
Flanged Adaptor	Nickel Plate

CS-188

UNLESS OTHERWISE SPECIFIED, DIMENSIONS ARE IN INCHES. TOLERANCES ARE:  
 X ±.1  
 .XX ±.05  
 .XXX ±.005  
 CABLE LENGTH TOLERANCE  
 <300' ±5% >300' ±2%

APPROVALS		DATE	 45 BEECHWOOD DRIVE NORTH ANDOVER, MA 01845
DRAWN BY	B.MAZEJKA	07/01/2003	
CHECKED BY	D.PARHAM	07/02/2003	
APPROVED BY	R.CARRICK	07/03/2003	
PRODUCT DESCRIPTION			KIT, PANEL COUPLER, DELUXE, CAT 5e RJ45 DRAWING TITLE
OUTLINE DRAWING			
SIZE	FSCM NO.	DWG. NO.	REV
A	43321	ECF504-C5-OD1	D
SCALE: 1.5:1		CAD FILE: ECF504-C5-OD1.SLDDRW	SHEET 1 OF 1