

SMD MOLDED WOUND CHIP INDUCTOR



4.2 x 3.2 x 3.2mm

AISM-1812



RoHS
Compliant

FEATURES:

- Low DCR
- Best suited for power supply lines

APPLICATIONS:

- VCRs & Video Cameras
- Automobile Audio Systems
- Computer products & Peripherals

STANDARD SPECIFICATIONS:

PARAMETERS

ABRACON P/N:	AISM-1812-xxx Series
Operating temperature:	- 40°C to + 85°C
Storage temperature:	- 55°C to + 125°C

OPTIONS AND PART IDENTIFICATIONS:

AISM - 1812 - □□□ □ - □

Inductance	Tolerance		
Please refer to the tables	K=±10% M=±20%	T	Tape and Reel

Part No.	L(μH)	Tolerance	Q	Test Freq.	SRF(MHz)	DCR(Ω)	Idc(mA)
		(%)	(min)	(MHz)	(min)	(max)	(max)
AISM-1812-R10	0.10	M	35	25.2	300	0.18	800
AISM-1812-R12	0.12	M	35	25.2	280	0.20	770
AISM-1812-R15	0.15	M	35	25.2	250	0.22	730
AISM-1812-R18	0.18	M	35	25.2	220	0.24	700
AISM-1812-R22	0.22	M	40	25.2	200	0.25	665
AISM-1812-R27	0.27	M	40	25.2	180	0.26	635
AISM-1812-R33	0.33	M	40	25.2	165	0.28	605
AISM-1812-R39	0.39	M	40	25.2	150	0.30	575
AISM-1812-R47	0.47	M	40	25.2	145	0.32	545
AISM-1812-R56	0.56	M	40	25.2	140	0.36	520
AISM-1812-R68	0.68	M	40	25.2	135	0.40	500
AISM-1812-R82	0.82	M	40	25.2	130	0.45	475
AISM-1812-1R0	1.0	K / M	50	7.96	100	0.50	450
AISM-1812-1R2	1.2	K / M	50	7.96	80	0.55	430
AISM-1812-1R5	1.5	K / M	50	7.96	70	0.60	410
AISM-1812-1R8	1.8	K / M	50	7.96	60	0.65	390
AISM-1812-2R2	2.2	K / M	50	7.96	55	0.70	380
AISM-1812-2R7	2.7	K / M	50	7.96	50	0.80	370
AISM-1812-3R3	3.3	K / M	50	7.96	45	0.80	355
AISM-1812-3R9	3.9	K / M	50	7.96	40	0.90	330
AISM-1812-4R7	4.7	K / M	50	7.96	35	1.0	315
AISM-1812-5R6	5.6	K / M	50	7.96	33	1.1	300
AISM-1812-6R8	6.8	K / M	50	7.96	27	1.2	285
AISM-1812-8R2	8.2	K / M	50	7.96	25	1.4	270
AISM-1812-100	10	K / M	50	2.52	20	1.6	250
AISM-1812-120	12	K / M	50	2.52	18	2.0	225
AISM-1812-150	15	K / M	50	2.52	17	2.5	200
AISM-1812-180	18	K / M	50	2.52	15	2.8	190
AISM-1812-220	22	K / M	50	2.52	13	3.2	180
AISM-1812-270	27	K / M	50	2.52	12	3.6	170
AISM-1812-330	33	K / M	50	2.52	11	4.0	160
AISM-1812-390	39	K / M	50	2.52	10	4.5	150
AISM-1812-470	47	K / M	50	2.52	10	5.0	140
AISM-1812-560	56	K / M	50	2.52	9.0	5.5	135
AISM-1812-680	68	K / M	50	2.52	9.0	6.0	130
AISM-1812-820	82	K / M	50	2.52	8.0	7.0	120
AISM-1812-101	100	K / M	40	0.796	8.0	8.0	110
AISM-1812-121	120	K / M	40	0.796	6.0	8.0	110
AISM-1812-151	150	K / M	40	0.796	5.0	9.0	105
AISM-1812-181	180	K / M	40	0.796	5.0	9.5	102
AISM-1812-221	220	K / M	40	0.796	4.0	10	100
AISM-1812-271	270	K / M	40	0.796	4.0	12	92
AISM-1812-331	330	K / M	40	0.796	3.5	14	85
AISM-1812-391	390	K / M	40	0.796	3.0	18	80
AISM-1812-471	470	K / M	40	0.796	3.0	26	62
AISM-1812-561	560	K / M	30	0.796	3.0	30	50
AISM-1812-681	680	K / M	30	0.796	3.0	30	50
AISM-1812-821	820	K / M	30	0.796	2.5	35	30
AISM-1812-102	1000	K / M	20	0.252	2.5	40	30

ABRACON IS
ISO 9001 / QS 9000
CERTIFIED



Visit www.abracon.com for Terms & Conditions of Sale. Revised: **02.08.08**
30332 Esperanza, Rancho Santa Margarita, California 92688
tel 949-546-8000 | fax 949-546-8001 | www.abracon.com

SMD MOLDED WOUND CHIP INDUCTOR

AIMS-1812

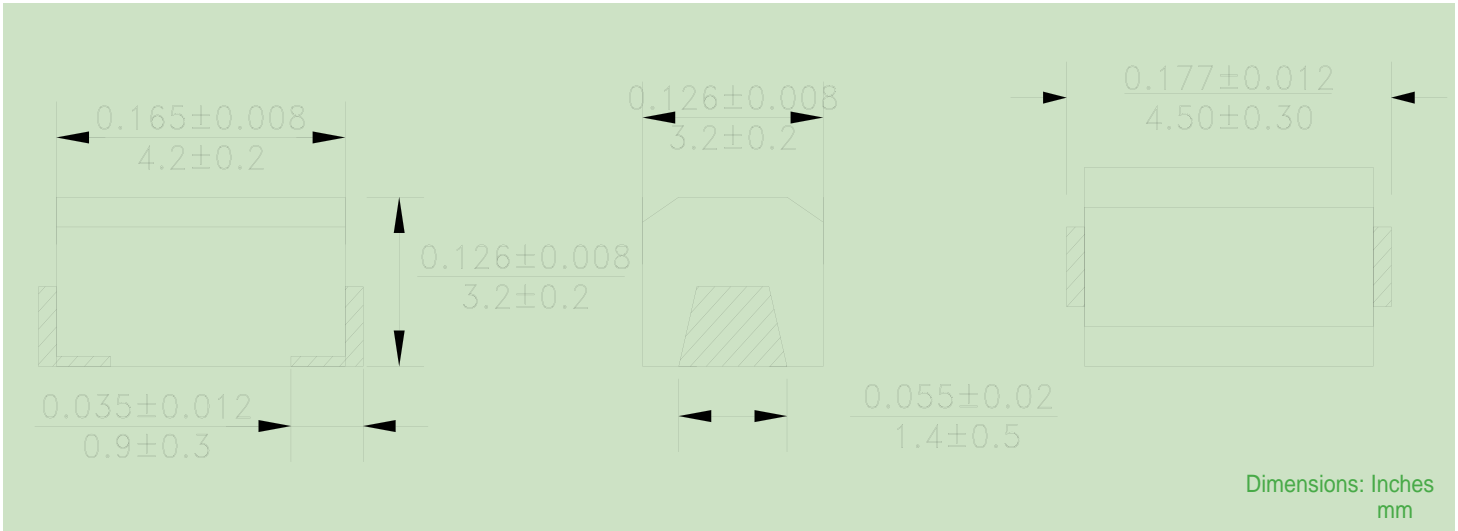


RoHS
Compliant



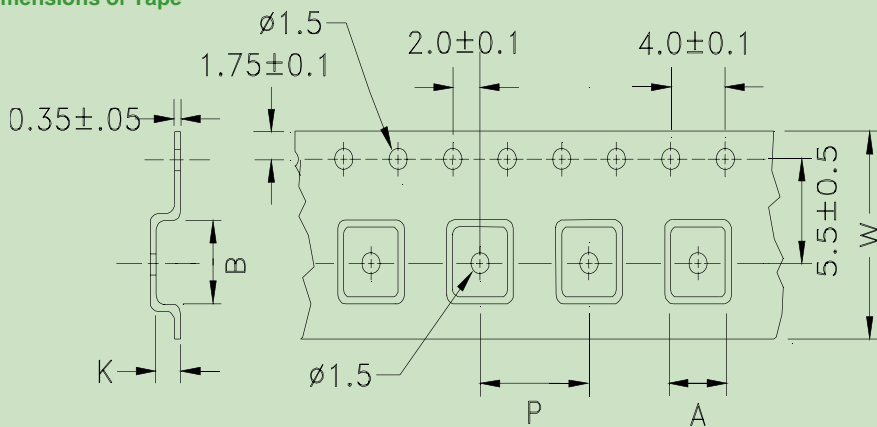
4.2 x 3.2 x 3.2mm

OUTLINE DRAWING:



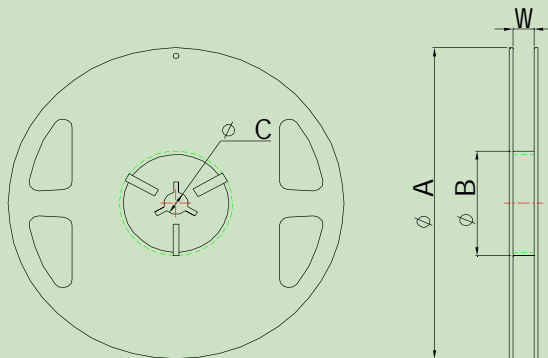
TAPE & REEL: Tape and reel 500pcs/reel

Dimensions of Tape



ABRACON P/N	A (mm)	B (mm)	K (mm)	P (mm)	W (mm)	PCS/REEL
AIMS-1812	3.5 ± 0.1	4.9 ± 0.1	3.4 ± 0.1	8.0 ± 0.1	12.0 ± 0.3	500

Dimensions of Reel



series	ΦA	ΦB	ΦC	W
AIMS-1812	178±2	60±2	13.5±0.5	13.5±0.5

Dimensions: mm

ABRACON IS
ISO 9001 / QS 9000
CERTIFIED



ABRACON
CORPORATION

Visit www.abracon.com for Terms & Conditions of Sale **Revised: 02.08.08**
30332 Esperanza, Rancho Santa Margarita, California 92688
tel 949-546-8000 | fax 949-546-8001 | www.abracon.com