

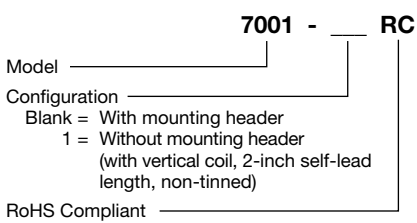
Dual-Line Toroid Inductors

Special Features

- Dual winding
- Low radiation
- High current capacity
- High inductance
- Dielectric strength 1000 Vrms
- Mounted on UL 94V-0 rated header (optional)
- Fixed pins for easy PCB insertion
- Operating temperature -55 to +105 °C

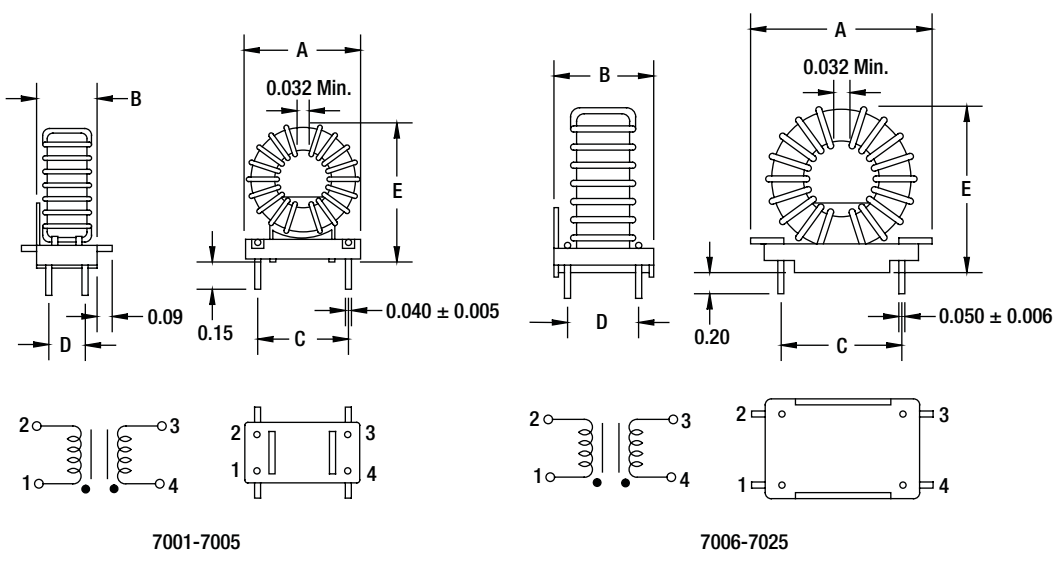
† RoHS Directive 2002/95/EC Jan 27, 2003 including Annex.

How to Order



7000 Series									
Part Number	L (μH) ±15 % @ 1 KHz	Idc (A)	L (μH) ±15 % @ I rated	DCR Ω	Dim. A Max.	Dim. B Max.	Dim. C ±0.015	Dim. D ±0.015	Dim. E Max.
7001-RC	2.5	11.0	1.25	0.004	0.875	0.425	0.600	0.250	1.00
7002-RC	6.0	5.50	3.0	0.007	0.875	0.425	0.600	0.250	1.00
7003-RC	31.25	2.75	17.5	0.060	0.875	0.425	0.600	0.250	1.00
7004-RC	68.75	2.00	37.5	0.120	0.875	0.425	0.600	0.250	1.00
7005-RC	112.5	1.50	62.5	0.245	0.875	0.425	0.600	0.250	1.00
7006-RC	6.25	9.00	3.75	0.006	1.125	0.600	0.800	0.400	1.25
7007-RC	18.75	5.00	10	0.020	1.125	0.600	0.800	0.400	1.25
7008-RC	100	2.25	56.25	0.165	1.125	0.600	0.800	0.400	1.25
7009-RC	200	1.75	118.75	0.320	1.125	0.600	0.800	0.400	1.25
7010-RC	250	1.50	143.75	0.470	1.125	0.600	0.800	0.400	1.25
7011-RC	12.5	9.50	6.25	0.006	1.25	0.800	0.900	0.600	1.375
7012-RC	37.5	4.75	21.25	0.023	1.25	0.800	0.900	0.600	1.375
7013-RC	175	2.25	100	0.210	1.25	0.800	0.900	0.600	1.375
7014-RC	312.5	1.75	187.5	0.430	1.25	0.800	0.900	0.600	1.375
7015-RC	400	1.50	237.5	0.640	1.25	0.800	0.900	0.600	1.375
7016-RC	31.25	7.75	16.25	0.016	1.812	0.900	1.20	0.700	1.95
7017-RC	125	4.00	68.75	0.075	1.812	0.900	1.20	0.700	1.95
7018-RC	275	2.50	162.5	0.165	1.812	0.900	1.20	0.700	1.95
7019-RC	562.5	1.75	281.25	0.460	1.812	0.900	1.20	0.700	1.95
7020-RC	1125	1.25	562.5	1.320	1.812	0.900	1.20	0.700	1.95
7021-RC	62.5	8.00	31.75	0.021	2.125	1.10	1.50	0.900	2.25
7022-RC	225	3.75	125	0.088	2.125	1.10	1.50	0.900	2.25
7023-RC	450	2.50	250	0.240	2.125	1.10	1.50	0.900	2.25
7024-RC	1000	1.75	525	0.580	2.125	1.10	1.50	0.900	2.25
7025-RC	2000	1.00	1125	1.670	2.125	1.10	1.50	0.900	2.25

“-RC” suffix indicates RoHS compliance.



Dimensions: Inches