



► Series-connected high-frequency noise filter with transient protection. Offers the flexibility of either receptacle/line cord connection or hard-wired connection to critical loads (up to 30 amperes). Applications include industrial or office equipment, computers placed in harsh environments.

FEATURES

- Typically reduces normal mode transients to ± 2 volts
- Surge current capacity—45,000 Amps
- Transient protection in all modes: line to neutral, line to ground, and neutral to ground
- LED power indication
- UL 1283, CSA recognized
- 10-year warranty

GENERAL TECHNICAL SPECIFICATIONS

MCOV	
120 Volt	150 VRMS
240 Volt	275 VRMS
Line Frequency	47–63 Hz
Response Time	
Normal Mode	< 0.5 ns
Common Mode	< 5 ns
Operating Temperature	
–40°C to +45°C at Full Load	
Derate Linearly to 60% at +70°C	
Operating Humidity	0% to 95%
Peak Surge Current Capability (8 x 20 μs)	
Line to Neutral	15,000 Amps
Line to Ground	15,000 Amps
Neutral to Ground	15,000 Amps
Load Surge Current Rating	
10 mSec	5 x Nominal
1 sec	3 x Nominal
10 Sec	2 x Nominal
Packaging	
• High-Impact Plastic Case	

Typical Category A Ringwave (6 kV, 200A, 100 kHz)

MODEL	NORMAL	COMMON
IC+102 / LRIC+102	1.0 / 0.9	302 / 287
IC+105 / LRIC+105	0.7 / 0.8	292 / 307
IC+107 / LRIC+107	0.7 / 0.7	302 / 293
IC+115 / LRIC+115	0.7 / 0.7	304 / 306
IC+130 / IC+202	0.5 / 1.1	306 / 536
IC+205 / IC+207	1.5 / 0.8	628 / 616
IC+215 / IC+230	0.6 / 0.9	572 / 566

Typical Category B Ringwave (6 kV, 500A, 100 kHz)

MODEL	NORMAL	COMMON
IC+102 / LRIC+102	178 / 188	302 / 285
IC+105 / LRIC+105	162 / 191	291 / 300
IC+107 / LRIC+107	173 / 190	300 / 298
IC+115 / LRIC+115	153 / 149	307 / 309
IC+130 / IC+202	241 / 302	299 / 532
IC+205 / IC+207	378 / 336	594 / 596
IC+215 / IC+230	272 / 342	548 / 578

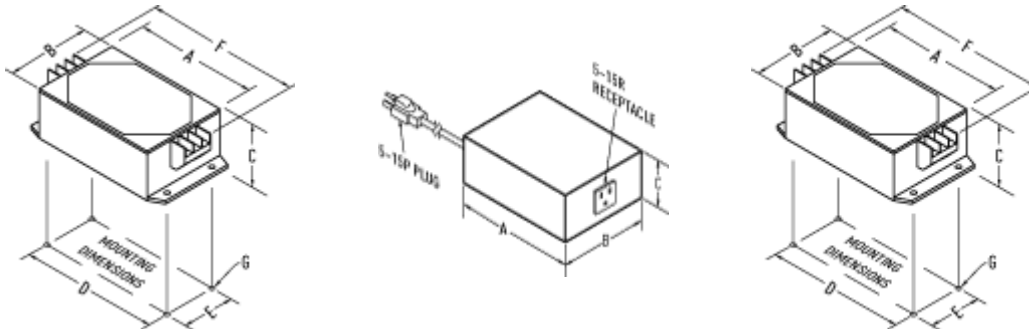
- Vacuum Impregnated Magnetics
- Epoxy Encapsulated

Note: All measurements in volts. IEEE test results with no AC applied. Normal mode—L1-N or L1-L2; Common mode—L-G, N-G or L1-G, L2-G.

Frequency Response (Forward-Reverse)

Normal Mode	100 kHz to 50 MHz— 90 dB Min
Common Mode	5 MHz to 50 MHz— 60 dB Min

DIMENSIONAL DIAGRAM



ORDERING INFORMATION

120 VAC Models with Barrier Strip at Input & Output / with Wire Leads at Input & Output (WL)

MODEL	RATED OUTPUT (AMPS)	CASE DIM. (in.) A x B x C	MOUNTING FLANGE DIM. (in.) D x E x F x G	SCREW SIZE	WGHT. (lbs.)
IC+102/IC+102WL	2.5	4x2.88x1.81	4.38x2.12x5.31x0.19	#6	1.0
IC+105/IC+105WL	5.0	4x2.88x1.81	4.38x2.12x5.31x0.19	#6	1.3
IC+107/IC+107WL	7.5	4.75x4.75x2.35	5.25x3.50x6.25x0.19	#6	2.0
IC+115/IC+115WL	15	6.25x4.75x2.35	6.75x3.50x7.75x0.19	#8	3.5
IC+130/IC+130WL	30	7.75x4.75x2.35	8.25x3.50x9.00x0.19	#8	6.0

120 VAC Models with 5-Foot Line Cord & Single NEMA 5-15 Receptacle

MODEL	RATED OUTPUT (AMPS)	CASE DIM. (in.) A x B x C	MOUNTING FLANGE DIM. (in.) D x E x F x G	SCREW SIZE	WGHT. (lbs.)
LRIC+102	2.5	4.5x3.0x1.88	N/A	N/A	1.3
LRIC+105	5.0	4.5x4.5x2.38	N/A	N/A	2.0
LRIC+107	7.5	6.0x4.5x2.38	N/A	N/A	2.3
LRIC+115	15	7.5x4.5x2.38	N/A	N/A	4.0

240 VAC Models with Barrier Strip at Input & Output / with Wire Leads at Input & Output (WL)

MODEL	RATED OUTPUT (AMPS)	CASE DIM. (in.) A x B x C	MOUNTING FLANGE DIM. (in.) D x E x F x G	SCREW SIZE	WGHT. (lbs.)
IC+202/IC+202WL	2.5	4x2.88x1.81	4.38x2.12x5.31x0.19	#6	1.3
IC+205/IC+205WL	5.0	4.75x4.75x2.35	5.25x3.50x6.25x0.19	#6	2.0
IC+207/IC+207WL	7.5	6.25x4.75x2.35	6.75x3.50x7.75x0.19	#8	3.3
IC+215/IC+215WL	15	7.75x4.75x2.35	8.25x3.50x9.00x0.19	#8	5.8
IC+230/IC+230WL	30	7.75x4.75x2.35	8.25x3.50x9.00x0.19	#8	6.0