

Single-phase chassis-mounting filter FN 2330

- Current ratings from 3 to 20A
- High differential and common mode attenuation
- UL-rated materials
- Nennströme von 3 bis 20A
- Hohe Gleich- und Gegentaktdämpfung
- UL konformes Material
- Courants de service de 3 à 20A
- Bonne atténuation en modes différentiel et commun
- Matériaux UL



Filter selection table

Filter	Conn. / Housing		Current ratings @40°C (25°C) [A]	Inductance		Capacitance		Resistance R [MΩ]	Weight [g]
				L [mH]	L1 [μH]	Cx [μF]	Cy [nF]		
FN2330Y-3-07	AWG20	K1	3 (3.35)	7.3	-	0.33	5.5	1	170
FN2330Y-10-06	Fast-on	P	10 (11.2)	7.3	-	0.33	5.5	1	420
FN2330X-20-10	Screw	P	20 (22.4)	6.0	-	0.33	4	1	500
FN2330H-20-10	Screw	P	20 (22.4)	6.0	-	0.33	10	1	500

Approvals

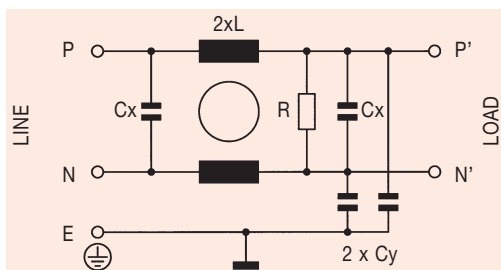


Additional specifications

Filter type	Maximum operating voltage [VAC] [Hz]		Operating frequency [Hz]	Hipot test voltage PN→E P→N [VAC] [VDC]		Maximum leakage @ 230VAC/50Hz [mA]	Temperature range
All types	250	50/60	DC to 60	2000	1100	0.95*	-25°C - +100°C

* 0.69mA for FN2330X-20-10
* 1.72mA for FN2330H-20-10

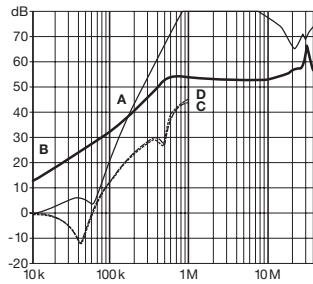
Electrical schematic



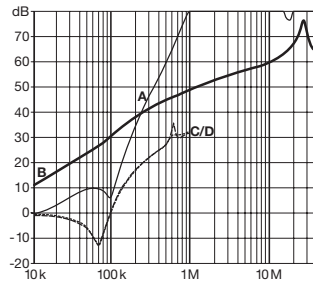
FN 2330 insertion loss

Per CISPR 17; A = 50Ω/50Ω sym, B = 50Ω/50Ω asym, C = 0.1Ω/100Ω sym, D = 100Ω/0.1Ω sym

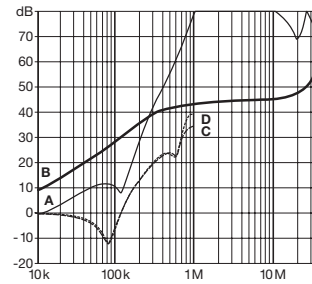
3 amp types



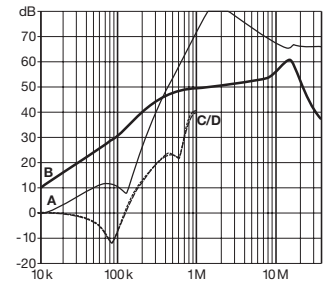
10 amp types



20 amp (X-types)

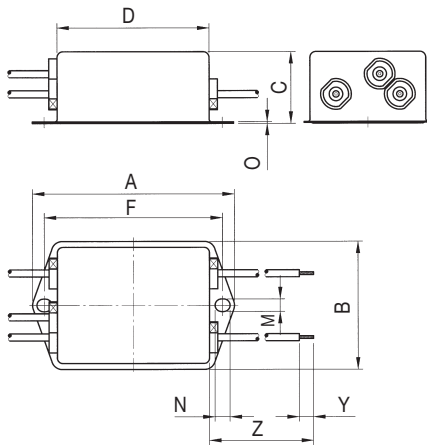


20 amp (H-types)



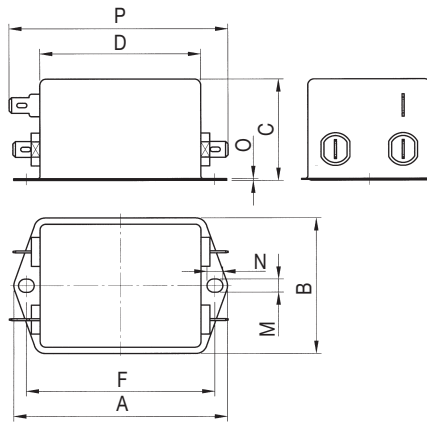
Mechanical data

-3A



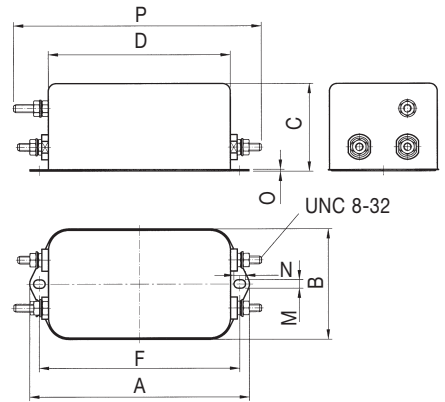
Housing K1

-10A



Housing P

-20A



Housing P

	FN2330Y		FN2330X		FN2330H		Tol.* [mm]
	3A	10A	20A	20A			
A	85 ± 0.5		113.5				± 1
B	54 ± 0.5		57.5				± 1
C	30.3 ± 0.5		45.5				± 1
D	64 ± 0.5		94				± 1
F	75		103.5				± 0.3
M	5.3		4.4				± 0.1
N	6.3		6				± 0.1
O	0.7		1				± 0.1
P		117		128			± 1
Y	6						± 0.5
Z	100						+ 5

* Measurements share this common tolerance unless otherwise stated.

All dimensions in mm; 1 inch = 25.4mm.