

RIR – Series



Technical Data

Rated Voltage	~250VAC 50/60Hz
Rated Current	2~6A
Operating Temperature Range	-25 to +85 including temperature rise. VDE0565-3:-2.3.3and-4.5
Climatic category	25/85/21acc,to IEC/EN60068-1
Leakage current measuring method	UL 1283 (3rd Edition): -26 and Fig26. 1 LC200 with 250V AC 60Hz
Withstand Voltage	1500V AC for 1 minute between line and ground. 1800V DC for 1 minute between line and line. 1800V DC for 1 minute between line and line.
Insulation Resistance	300MΩ minimum at 500V DC between line and ground.
Voltage Drop	1 volt maximum at rated current

Marking

1. Trademark.
2. Model No.
3. Rated Voltage and Current
4. Climate category.
5. Circuit Diagram and Component Value
6. Lot No.
7. Approval

FEATURES

- Inlet filter with fuse holder.
- Suitable for the product that must conform to FCC.FTZ.
- Meet over voltage of IEC 664 and comply with IEC 950.
- Uses IEC connector that meets the safety standards of virtually all certifying organisations
- Good shield effect by using metal cases.

APPLICATIONS

- Digital equipment
- Personal computers and peripherals.
- Measuring and testing instruments
- Communication equipments.

Approval

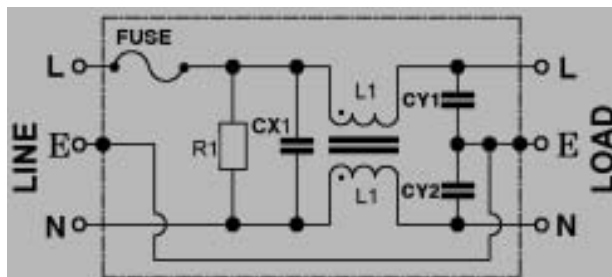
RIR-**** - * UL, CSA, TUV, SEMKO,

RIR – Series

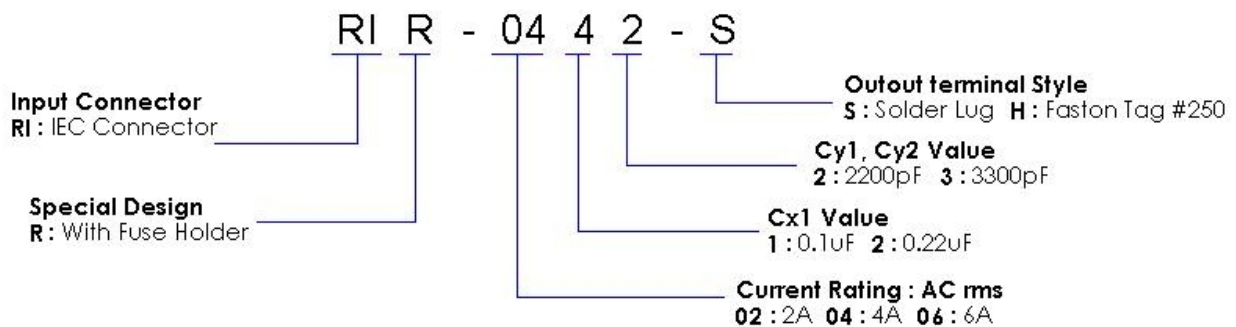
Guaranteed Minimum Attenuation in (dB)

Model No.	Rated Voltage AC,DC[V]	Rated Current [A]	Fuse-Rated Current [A]	Inductance L1[mH] +50%-30%	Capacitance Cx1[μF] ±20%	Capacitance Cy1,2[pF] ±20%	Leakage Current Max. [mA]	Temperature Rise Max. [°C]	Resistor R1[Ω] ±10%
IR-02**-*	250	2	2	6.5	*	*	*	40	1M, 1/2W
IR-04**-*	250	4	4	2.4	*	*	*	45	
IR-06**-*	250	6	6.3	1.1	*	*	*	45	
IR-***1**-*	*	*	*	*	0.1	*	*	*	
IR-***2**-*	*	*	*	*	0.22	*	*	*	
IR-***2-*	*	*	*	*	0.1	2200	0.35	*	
IR-***3-*	*	*	*	*	0.22	3300	0.5	*	
IR-****-N	*	*	*	*	*	*	*	*	None

Circuit Diagram



Model Number Construction

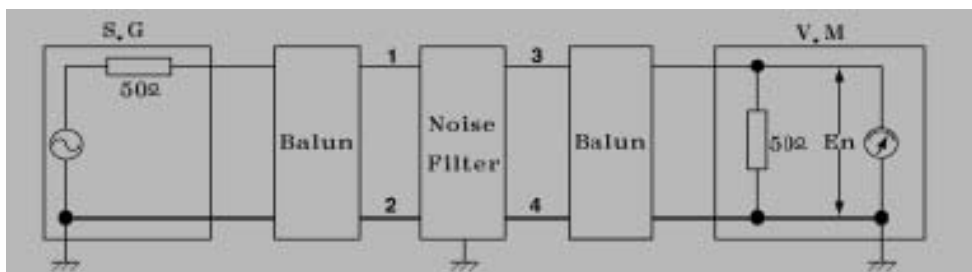


RIR – Series

Guaranteed Minimum Attenuation in (dB)

Model	Common mode [MHz]							Differential mode [MHz]						
	0.15	0.45	1	2	5	10	30	0.15	0.45	1	2	5	10	30
0212-*	31	45	48	44	43	44	44	15	27	38	45	50	60	50
0213-*	31	48	49	46	45	46	45	15	25	38	50	55	60	50
0222-*	31	46	43	42	41	42	45	22	35	40	40	46	57	50
0223-*	31	47	48	45	44	45	45	22	33	44	45	52	62	50
0412-*	22	34	41	44	44	45	48	15	25	33	41	43	50	50
0413-*	22	35	45	48	48	50	48	15	24	30	45	50	58	60
0422-*	21	34	41	43	43	44	45	21	32	40	35	42	51	55
0423-*	21	35	45	48	48	49	45	21	32	40	38	45	55	60
0612-*	16	27	34	40	42	44	50	15	25	31	37	40	48	60
0613-*	16	28	36	42	47	49	50	15	26	31	39	44	51	60
0622-*	15	27	33	40	42	43	50	21	33	40	33	39	48	51
0623-*	15	28	35	44	48	49	45	21	33	40	34	45	54	54

Attenuation Measuring Method



OSC Level : 0dB

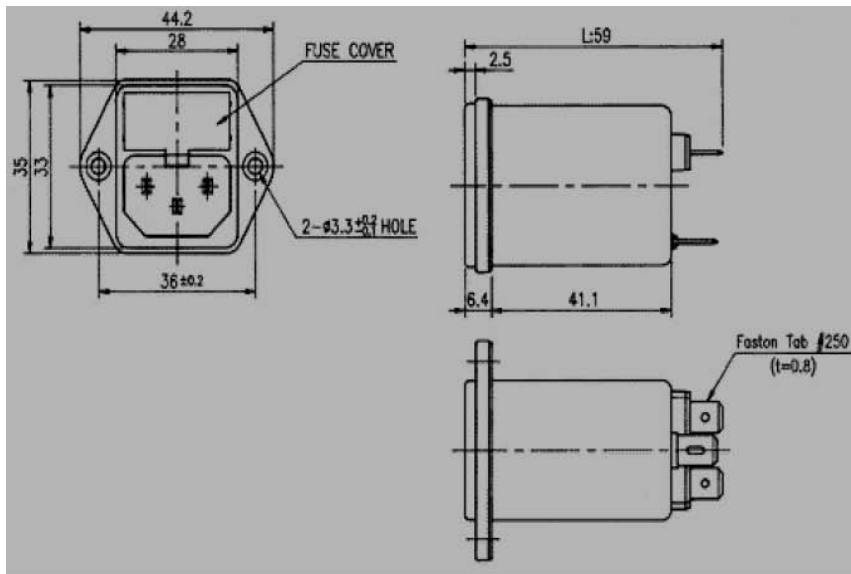
Insertion loss = $-20\log(E1/E2)$ [dB]

E1 : Level with the Noise Filter in the circuit

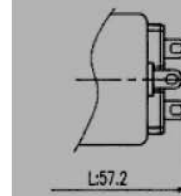
E2 : Level without the Noise Filter in the circuit

RIR – Series

Shape and Dimension Unit : (mm)



*Alternate Terminal for
IR-****S : Soldering Lug(t=0.8)



*General Tolerance
*Unit : mm
*Metal Case