

POWERLINE SERIES

IEC INLET FILTERS SWITCHED AND FUSED



Features

- ◆ Meet over voltage category II of IEC664 and comply with IEC950
- ◆ Uses IEC connector that meets the safety standards of virtually all certifying organisations
- ◆ A fuse holder and double pole power ON/OFF switch

APPLICATIONS

- ◆ Gaming machines
- ◆ Digital equipment
- ◆ Personal computers and peripherals
- ◆ Measuring instruments
- ◆ Monitors and display units

Rated Voltage: 250V AC

Frequency: 50 / 60 Hz

Temperature Range: -25°C to + 85°C

Approvals: UL CSA TUV VDE

Demko Semko Fimko Nemko approved products also available

Part Number	Current (Amps)	Leakage Current 250V (AC)	Temperature Rise
RIQ 02 1/2/4 2 H 0/2	2	0.35mA Max	40° C
RIQ 04 1/2/4 2 H 0/2	4	0.35mA Max	45° C
RIQ 06 1/2/4 2 H 0/2	6	0.35mA Max	45° C

PART NUMBER CONFIGURATION

RIQ	02	4	2	H	0
SERIES	CURRENT (Amps)	LINE-LINE CAP VALUE (INPUT SIDE) (mF)	LINE-GROUND CAP VALUE (INPUT SIDE) (pF)	OUTPUT TERMINAL STYLE	LINE-LINE CAP VALUE (OUTPUT SIDE) mF
EC Connector Snap In Switched and Fused	02 : 2	1 : 0.1	2 : 2200	H : Faston Tab #250	0 : None
	04 : 4	2 : 0.22	3 : 3300		2 : 0.22
	06 : 6	4 : 0.47			

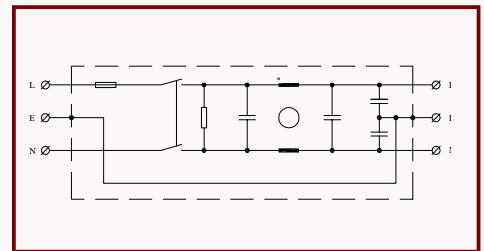
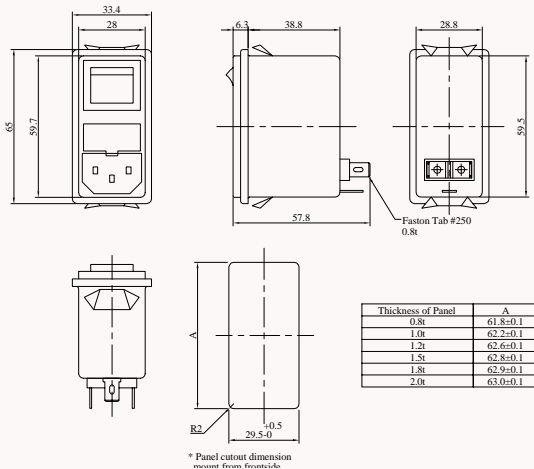
www.deltron-emcon.com www.deltron-emcon.com www.deltron-emcon.com www.deltron-emcon.com www.deltron-emcon.com www.deltron-emcon.com

Deltron Emcon Limited, Deltron Emcon House, Hargreaves Way, Sawcliffe Industrial Park, Scunthorpe, North Lincolnshire DN15 8RF
Phone: 44-1724-273200 Fax: 44-1724-270230 E-Mail: emc@deltron-emcon.com Web: www.deltron-emcon.com



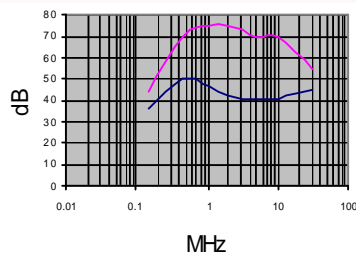
POWERLINE SERIES

IEC INLET FILTERS SWITCHED AND FUSED

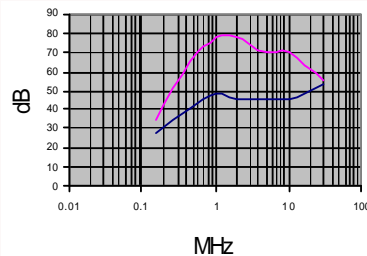


Common Mode ————
Normal Mode ————

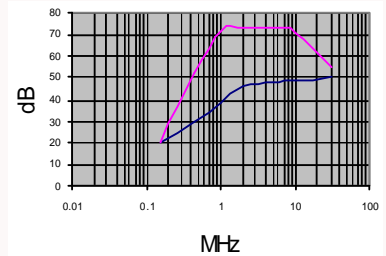
RIQ0242H2



RIQ0442H2



RIQ0642H2



www.deltron-emcon.com www.deltron-emcon.com www.deltron-emcon.com www.deltron-emcon.com www.deltron-emcon.com www.deltron-emcon.com

Deltron Emcon Limited, Deltron Emcon House, Hargreaves Way, Sawcliffe Industrial Park, Scunthorpe, North Lincolnshire DN15 8RF
Phone: 44-1724-273200 Fax: 44-1724-270230 E-Mail: emc@deltron-emcon.com Web: www.deltron-emcon.com

