

POWERLINE SERIES

IEC INLET FILTERS



Features

- ◆ Meet over voltage category II of IEC664 and comply with IEC950
- ◆ Uses IEC connector that meets the safety standards of virtually all certifying organisations
- ◆ Both soldering lug type and fast-on tab types are available

APPLICATIONS

- ◆ Gaming machines
- ◆ Digital equipment
- ◆ Personal computers and peripherals
- ◆ Measuring instruments
- ◆ Monitors and display units

Rated Voltage: 250V AC

Frequency: 50 / 60 Hz

Temperature Range: -25°C to + 85°C

Approvals: UL CSA TUV VDE

Demko Fimko Semko Nemko approved products also available

Part Number	Current (Amps)	Leakage Current	Temperature Rise
		(250V AC)	
RID 01 2/4/A 2 S/H	1	0.35mA max	30°C
RID 01 2/4/A 3 S/H		0.50mA max	
RID 02 2/4/A 2 S/H	2	0.35mA max	30°C
RID 02 2/4/A 3 S/H		0.50mA max	
RID 03 2/4/A 2 S/H	3	0.35mA max	30°C
RID 03 2/4/A 3 S/H		0.50mA max	
RID 06 2/4/A 2 S/H	6	0.35mA max	45°C
RID 06 2/4/A 3 S/H		0.50mA max	
RID 10 2 2 S/H	10	0.35mA max	45°C
RID 10 2 3 S/H		0.50mA max	
RID L03 2/4/A 2 S/H	3	0.35mA max	45°C
RID L03 2/4/A 3 S/H		0.50mA max	

PART NUMBER CONFIGURATION

RID	03	4	2	S
SERIES	CURRENT (Amps)	LINE-LINE CAP VALUE (INPUT SIDE) (mF)	LINE-GROUND CAP VALUE (INPUT SIDE) (pF)	OUTPUT TERMINAL STYLE
IEC Connector Screw Mounting Metal Case	01:1	2:0.022	2:2200	S:Solder Lug
	02:2	4:0.047	3:3300	F:Faston Tab #250
	03:3	(except 10-Amp)		
	L03:3 (higher performance than 03)	A:0.01 (except 10-Amp)		
	06:6			
	10:10			

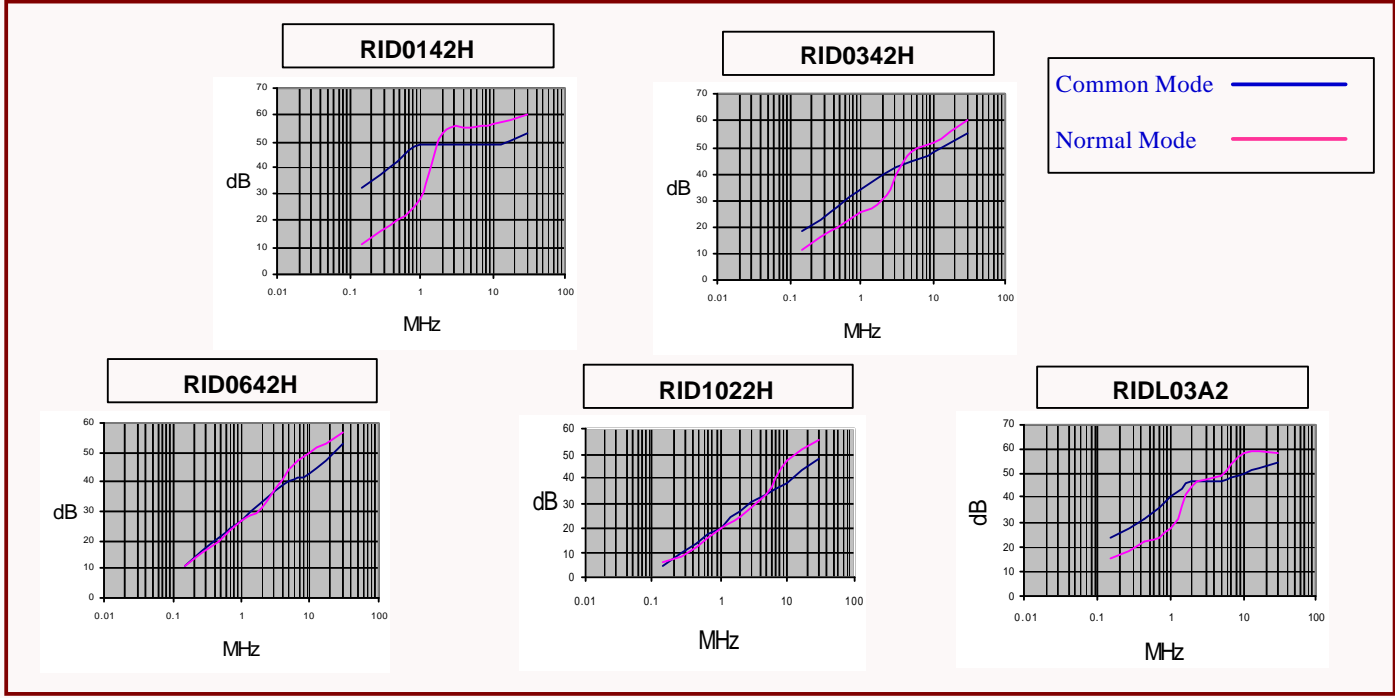
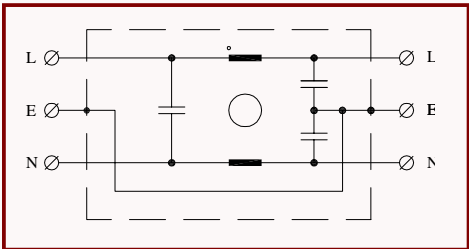
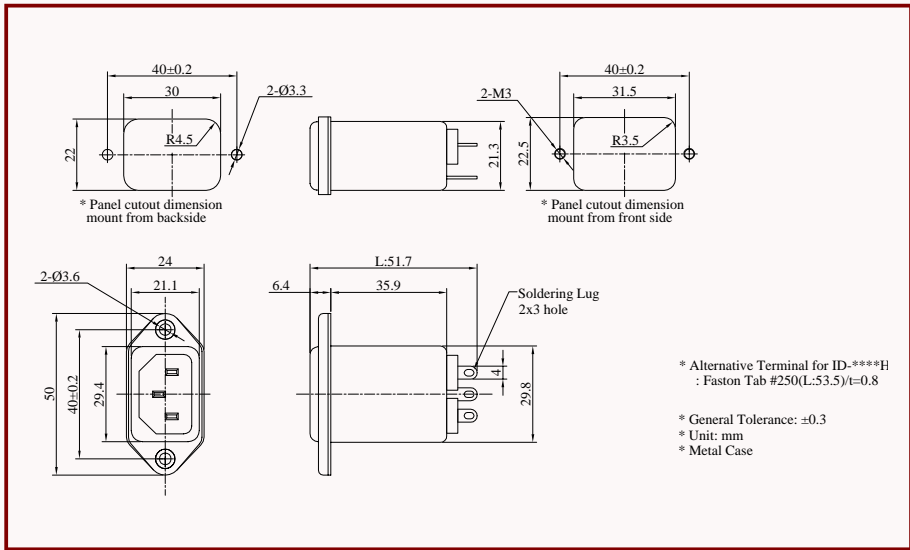
www.deltron-emcon.com www.deltron-emcon.com www.deltron-emcon.com www.deltron-emcon.com www.deltron-emcon.com www.deltron-emcon.com

Deltron Emcon Limited, Deltron Emcon House, Hargreaves Way, Sawcliffe Industrial Park, Scunthorpe, North Lincolnshire DN15 8RF
Phone: 44-1724-273200 Fax: 44-1724-270230 E-Mail: emc@deltron-emcon.com Web: www.deltron-emcon.com



POWERLINE SERIES

IEC INLET FILTERS



www.deltron-emcon.com www.deltron-emcon.com www.deltron-emcon.com www.deltron-emcon.com www.deltron-emcon.com www.deltron-emcon.com

Deltron Emcon Limited, Deltron Emcon House, Hargreaves Way, Sawcliffe Industrial Park, Scunthorpe, North Lincolnshire DN15 8RF
 Phone: 44-1724-273200 Fax: 44-1724-270230 E-Mail: emc@deltron-emcon.com Web: www.deltron-emcon.com

