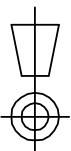
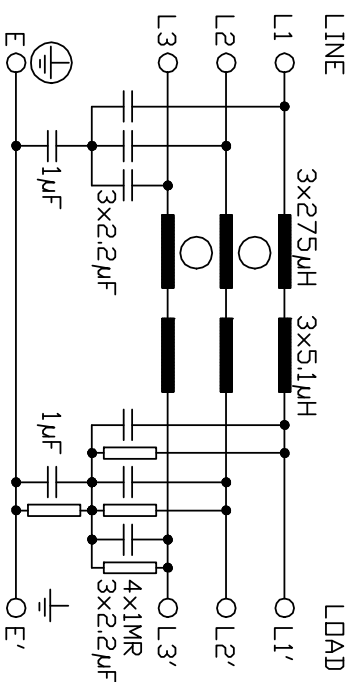


ALL DIMENSIONS IN MM / ANGLES IN DECIMAL DEGREES



SPECIFICATIONS

- VOLTAGE 500V_{ac}
- FREQUENCY 50/60Hz
- CURRENT 50A @ 40°C
- TEMPERATURE -25 TO 100°C
- LEAKAGE CURRENT 90mA @ 500V 50Hz
- HUMIDITY 90% RH (NON-CONDENSING)
- VIBRATION 10-200Hz 1.8G
- SURGE 4000Vpk 1.2/50µs
- ELECTRIC STRENGTH 2250V_{ac}/1min.
- POWER DISSIPATION 16W
- MASS 2.9kg
- TERMINALS 10sqmm TERMINAL BLOCK
- EARTH TERMINALS M6 STUD
- FLANGE MOUNTING 4x M6



ROXBURGH ELECTRONICS LTD

TITLE 3 PHASE 50A 500V INDUSTRIAL FILTER

Dr: **KMF350-GS**

Rev: **1** GENERAL SPECIFICATION FOR KMF350

CUSTOMER REFERENCE

Sheet 1 of 1 Aprvd Date 17/09/97 Aprvd By NL Drwn by AT SCALE CNN Location N:\DWG\GS\GS000050

© ROXBURGH ELECTRONICS LTD, FOXHILLS INDUSTRIAL PARK, SCUNTHORPE, NORTH LINCOLNSHIRE, DN15 8QJ TEL +44 1724 281770 F +44 1724 270230