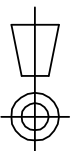
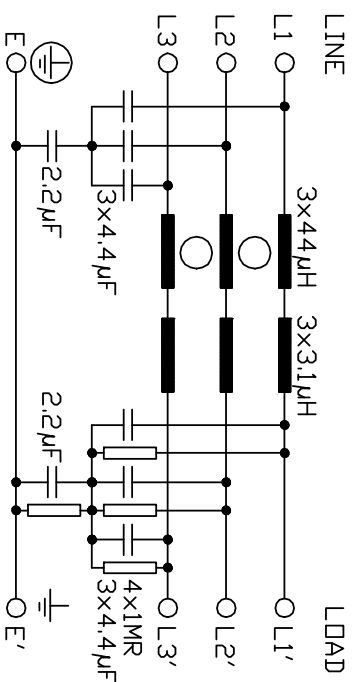


ALL DIMENSIONS IN MM / ANGLES IN DECIMAL DEGREES



SPECIFICATIONS

- VOLTAGE 500V_{ac}
- FREQUENCY 50/60Hz
- CURRENT 100A @ 40°C
- TEMPERATURE -25 TO 100°C
- LEAKAGE CURRENT 198mA @ 500V 50Hz
- HUMIDITY 90% RH (NON-CONDENSING)
- VIBRATION 10-200Hz 1.8G
- SURGE 4000Vpk 1.2/50µs
- ELECTRIC STRENGTH 2250V_{ac}/1min.
- POWER DISSIPATION 18W
- MASS 4.5kg
- TERMINALS 50sqmm TERMINAL BLOCK
- EARTH TERMINALS M8 STUD
- FLANGE MOUNTING 4x M6



ROXBURGH ELECTRONICS LTD

TITLE 3 PHASE 100A 500V INDUSTRIAL FILTER

Dr. **KMF3100-GS**

Rev. **1** GENERAL SPECIFICATION FOR KMF3100

CUSTOMER REFERENCE

Sheet 1 of 1 Aprvd Date 03/08/98 Aprvd By NL Drwn by AT SCALE CNN --- Location N: \Dwg\GS\GS000051

© ROXBURGH ELECTRONICS LTD, FOXHILLS INDUSTRIAL PARK, SCUNTHORPE, NORTH LINCOLNSHIRE, DN15 8QJ TEL +44 1724 281770 F +44 1724 270230