

MATERIALS:

BODY & NUT : BRASS to BS2874 CZ121 - SILVER PLATED
 CERAMIC : CERAMOX® K3000, CERAMOX® K6000

MOUNTING DETAILS:

HOLE IN CHASSIS : Ø3.7
 MAXIMUM CHASSIS THICKNESS : 3.4
 MINIMUM PITCHING : 6

LEAD-THROUGH TERMINATIONS :
 SILVER OR TIN-LEAD. SOLDERABILITY EXCEEDS BS2011 (IEC60) TEST 1
 DEVICES SUPPLIED TO BS9121 F 0006 ARE MARKED AS STATED BELOW.

CONFIGURATION:



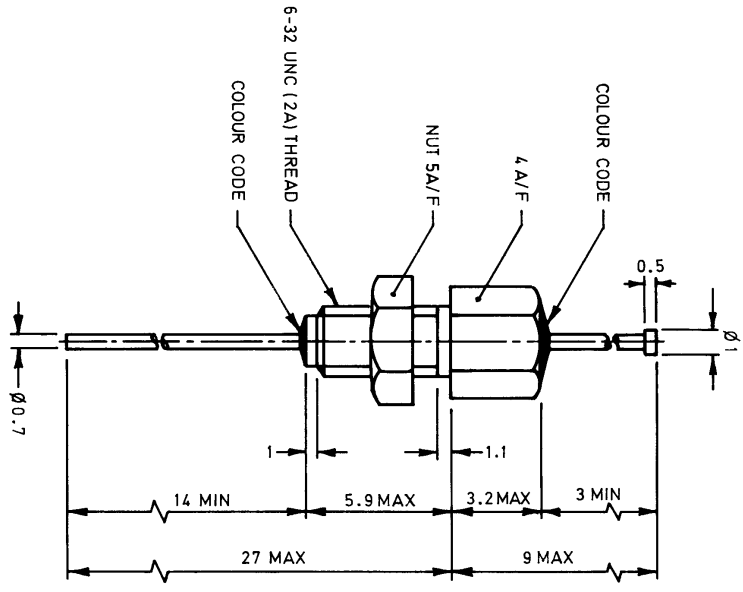
CHARACTERISTICS:

TYPE No.	CAPACITANCE (-20%, +80%, µpF)	COLOUR CODE (Hexagonal End)	COLOUR CODE (Threaded End)	MARKING DETAILS
DLT4/C/330	330	GREEN	WHITE	OX C n 33
DLT4/C/680	680	GREY	WHITE	OX C n 68
DLT4/C/1000	1000	BROWN	WHITE	OX C 1 n 0
DLT4/C/4700	4700	RED	WHITE	OX C 4 n 7
DLT4/C/10000	10000	BLACK	WHITE	OX C 1 0 n
DLT4/C/22000	22000	BLUE	WHITE	OX C 2 2 n

WORKING VOLTAGE : -55°C +85°C, 200Vd.c.
 125°C, 100Vd.c.
 DIRECT OR LOW FREQUENCY (400 Hz) CURRENT RATING : 10A

FREQUENCY (MHz)	TYPICAL INSERTION LOSS (dB)				
	330 pF	680 pF	1000 pF	4700 pF	10000 pF
0.1	-	-	-	-	2
1	-	-	1	3	8
10	2	4	9	20	27
100	18	22	26	36	44
1000	35	35	40	50	63

INSERTION LOSS MEASURED IN 50ohm SYSTEM USING MARGONI INSTRUMENTS SPECTRUM ANALYSER TYPE TF2370/TK2373



ACTUAL SIZE



OXLEY Tel: 0229 568231 Fax: 65141

OXLEY DEVELOPMENTS COMPANY LTD

Uiverson Cumbria LA12 9QG ENGLAND

SCALE 5 : 1

TYPE No. DLT4/C/-

DRG No. CP14139

ISSUE 3

ISS	MODIFICATION	DATE
2	Change No 87/87	8-11-87
3	CHANGE No 90/112	1-2-90

MATERIAL AS STATED	DRAWN W. SHARP
FINISH CLEAN	CHECKED T. DAVIS
PLATING AS STATED	APPROVED <i>[Signature]</i>
TOLERANCE	DATE 13.12.84
REMARKS	PROVISIONAL
TITLE	MINIATURE L-C FILTER