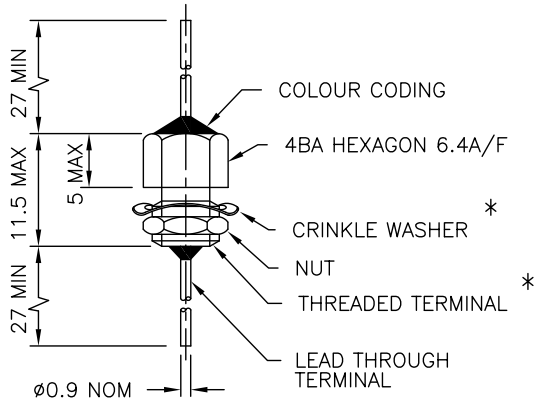


DRG No. CP12924	ISSUE 8	TYPE No. DLT/- & DLTM/-	DIM. IN: MILLIMETRES	ODC:QA:40077 ISSUE 2 DO NOT SCALE	THIS DRAWING AND THE COPYRIGHT AND DESIGN RIGHT THEREIN ARE THE PROPERTY OF OXLEY DEVELOPMENTS CO. Ltd. AND MUST NOT BE REPRODUCED OR DISCLOSED TO A THIRD PARTY WITHOUT PRIOR WRITTEN CONSENT OF THE COMPANY.	ISS	MODIFICATION	DATE
						4	REDRAWN	24.6.80
						5	CHANGE No. 78/80	27.10.80
						6	CHANGE No. 87/87	23.11.87
						7	CHANGE No. 91/47	19.3.91
						8	CHANGE No. 96/50	26.2.96

MATERIALS :
 BODY : BRASS TO BS 2874 CZ 121
 CAPACITOR : MONOLITHIC MULTILAYER
 CONSTRUCTION INCORPORATING
 CERAMOX[®] DIELECTRIC

MOUNTING DETAILS :
 HOLE IN CHASSIS : $\phi 5.1$
 MAXIMUM CHASSIS THICKNESS : 1.6 (16 S.W.G.)
 MINIMUM PITCHING : 8mm

CHARACTERISTICS :
 CAPACITANCE TOLERANCE : -20% +80%
 PROOF VOLTAGE : 250V d.c.
 DISSIPATION FACTOR AT 1 kHz : LESS THAN 0.03
 OPERATING TEMPERATURE RANGE : -40°C TO +100°C
 VARIATION OF CAPACITANCE WITH TEMPERATURE (MAX) : $\pm 12\%$ (22, 47, 100)
 -55% +20% (330, 470, 680, 1000, 2200, 4700, 10000, 47000)
 -80% +30% (100000)



PERFORMANCE AS BS 9075 F006

*	DLT	DLTM
THREAD	2BA BeCu CRINKLE WASHER AS STANDARD - 0.3 THICK - PLATING TIN	M5 x 0.8 WITH BeCu CRINKLE WASHER AS STANDARD - 0.3 THICK - PLATING TIN
PLATING	GOLD TO BS4292 Au OR TIN 5 μ THICK	TIN 5 μ THICK

LEADTHROUGH TERMINATIONS :
 SILVER OR TIN-LEAD. SOLDERABILITY
 EXCEEDS BS2011 (IEC 68) TEST T

TYPE	CAPACITANCE	COLOUR CODE	RATED VOLTAGE (Vds)	
			-40/85°C	100°C
DLT 22 & DLTM 22	22 pF	BLACK	100	50
DLT 47 & DLTM 47	47 pF	YELLOW	100	50
DLT 100 & DLTM 100	100 pF	WHITE	100	50
DLT 330 & DLTM 330	330 pF	GREEN	100	50
DLT 470 & DLTM 470	470 pF	ORANGE	100	50
DLT 680 & DLTM 680	680 pF	GREY	100	50
DLT 1000 & DLTM 1000	1000 pF	BROWN	100	50
DLT 2200 & DLTM 2200	2200 pF	LIGHT GREEN	100	50
DLT 4700 & DLTM 4700	4700 pF	RED	100	50
DLT 10000 & DLTM 10000	10000 pF	BLUE	100	50
DLT 47000 & DLTM 47000	47000 pF	LIGHT BLUE	100	50
DLT 100000 & DLTM 100000	100000 pF	LIGHT BROWN	50	25

© COPYRIGHT OXLEY DEVELOPMENTS Co. Ltd. 1991

MATERIAL AS STATED	DRAWN T. DAVIS
FINISH	CHECKED Simon Russam
PLATING AS STATED	APPROVED 91/47
TOLERANCE	DATE 24.6.80
REMARKS	
TITLE	ULTRA - LOW INDUCTANCE CAPACITOR

OXLEY	Tel.0229 52621 Fax.0229 55090 Telex.65141	OXLEY DEVELOPMENTS COMPANY LTD.	Ulverston Cumbria LA12 9QG ENGLAND	SCALE 2 : 1	TYPE No. DLT/- & DLTM/-	DRG No. CP12924	ISSUE 8
--------------	---	--	--	----------------	----------------------------	---------------------------	-------------------