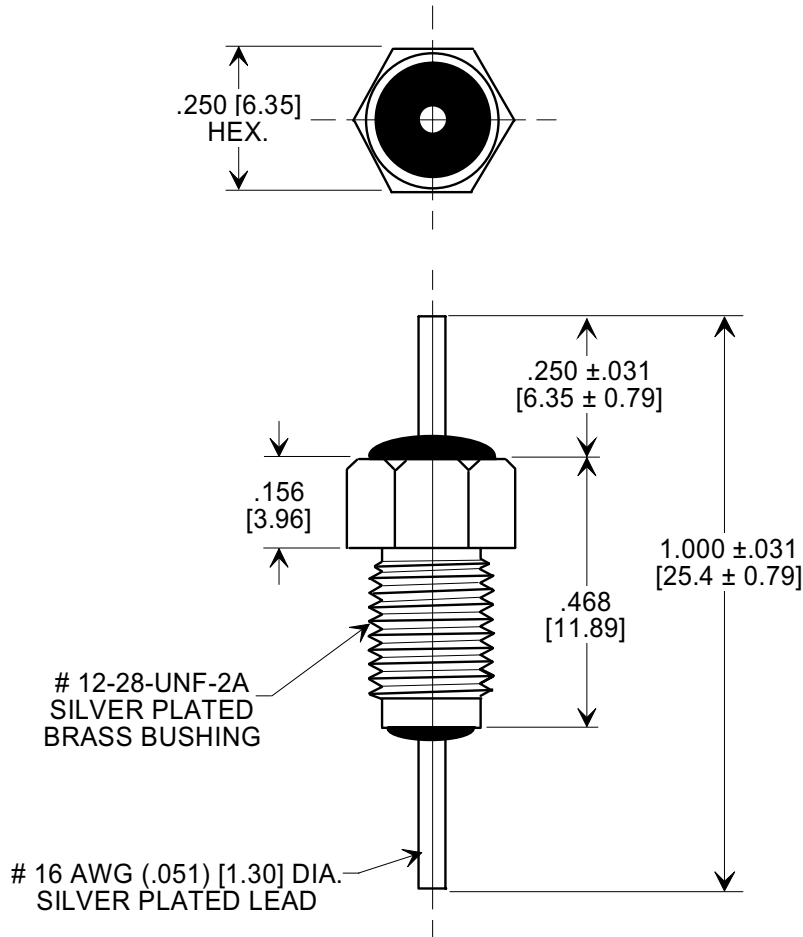
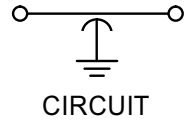


MARKETING SALES DRAWING
DIMENSIONS IN INCHES - DO NOT SCALE THIS DRAWING

Electrical Testing
per Tusonix standard
test plans and Mil-Std-202
Test Methods.



SPECIFICATIONS

CAP. VALUE	5000 pF
CAP. TOL.	+80%, -20%
TEMP. COEF.	X5W
CURRENT RATING	20 A
VOLT. RATING	250 VAC, 60 Hz
OPERATING TEMP.	-55 TO +85°C
D.W.V.	1200 VAC, 60 Hz, 2 SEC.

NOTES:

- SUPPLIED WITH SILVER PLATED HEX NUT AND INTERNAL TOOTH LOCK WASHER.

X-2015 Rev-0 REVISION RECORD Original Release C.O. 19990811-1-01 0	--TOLERANCES-- Unless Otherwise Specified		Title		BUSHING STYLE FEED-THRU CAPACITOR
			DECIMAL ± .015		
	ANGLES ±		Approved H.R. 08-11-99		A 2499-508-X5W0-502Z
	TUSONIX TUCSON, ARIZONA				