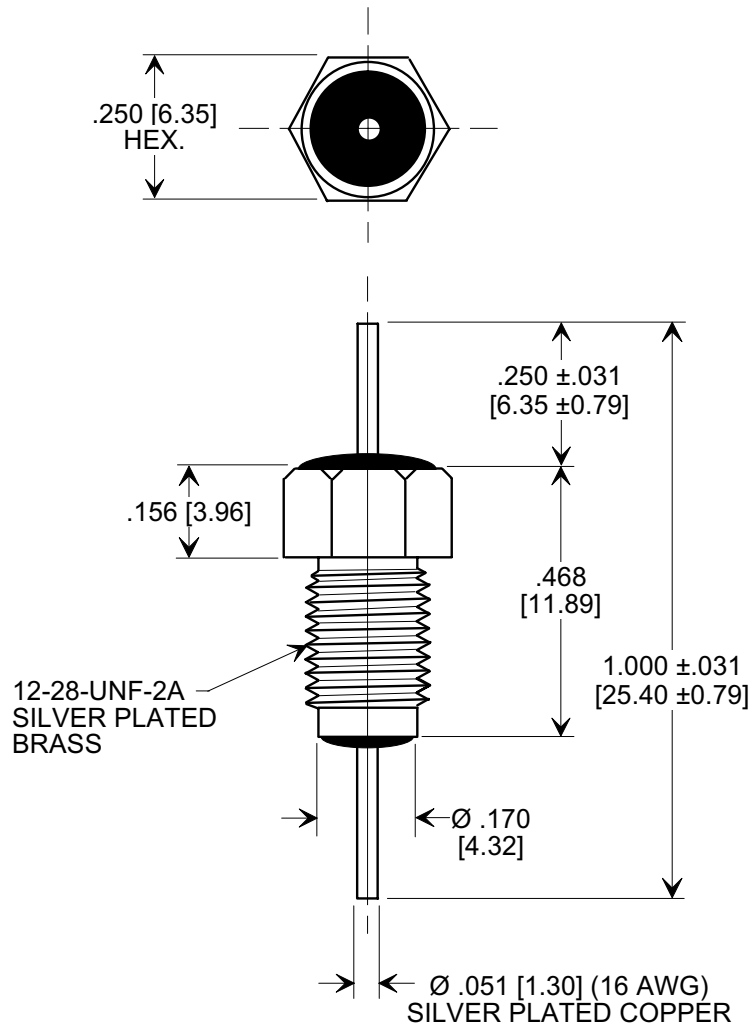
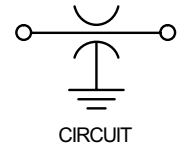
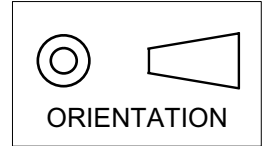


MARKETING SALES DRAWING
DIMENSIONS IN INCHES - DO NOT SCALE THIS DRAWING
DIMENSIONS IN METRIC - []

This drawing is the property of Tusonix, Inc., and may not be used, reproduced, published or disclosed to others without expressed authorization by Tusonix Inc.

Electrical Testing
per Tusonix standard
test plans and Mil-Std-202
Test Methods.



ORDERING INFORMATION

STYLE NO.:	2499-003
VALUE:	100 pF
VALUE TOL.:	± 10%
TEMP. COEF.:	U2M
RATING:	500 WVDC @ 85°C
OPERATING RANGE:	-55° TO +125°C
CURRENT (A):	20
I.R. MIN. @ 100 (VDC):	10 G Ω
DWV (VDC):	1500

NOTES:

- SUPPLIED WITH SILVER PLATED HEX NUT AND INTERNAL TOOTH LOCK WASHER.
- TUSONIX STANDARD PART NUMBER: 2499-003-U2M0-101K. TUSONIX RoHS COMPLIANT PART NUMBER: 2499-003-U2M0-101K LF. CUSTOMER MUST SPECIFY STANDARD OR RoHS PART NUMBER WHEN ORDERING.
- PART MARKING: TRADEMARK, CAPACITANCE CODE & TOLERANCE CODE STAMPED ON HEX FLATS. STANDARD PART: BLACK INK. RoHS PART: GREEN INK.

X-2015 Rev-0

REVISION RECORD Original Release C.O. 20000508-5-01 ADDED & REVISED NOTES: ADDED METRIC, CURRENT, IR & DWV.S.M. 03-23-06 20060323-1-01	0	--TOLERANCES-- Unless Otherwise Specified	Title BUSHING TYPE FEED-THRU CAPACITOR		
			DECIMAL ± .015 [0.38] ANGLES ±	Drawn L.E. 05-09-00 Scale 3X	
	Approved T.C. 05-09-00		TUSONIX TUCSON, ARIZONA	A 2499-003-U2M0-101 K	