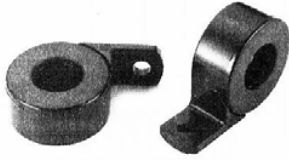
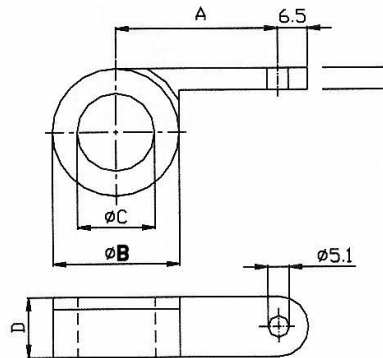


EMI Suppression Cores with panel mount plastic case



A range of high performance Ferrite cores in plastic casing. Particularly suitable for use in industrial areas or where there is a need to mount externally or on a panel.. The plastic case ensures protection of the ferrite core and provides good aesthetic appeal.



Part No	A	Dia B	DiaC	D	Cable Dia	Typ. Impedance 1turn	
						25MHz	100MHz
TRCS-08	23.0	23.0±1.0	8.2±1.0	12.5±1.0	Max. 8.0	51	94
TRCS-13	20.0	29.3±1.0	13.8±1.0	13.5±1.0	Max13.5	49	96

Part no.	Farnell Buy Price Euro ea
TRCA-08	0.59
TRCS-13	0.65