

Soft Ferrites

Cable shields

CABLE SHIELDS FOR EMI SUPPRESSION

Tubular cable shields

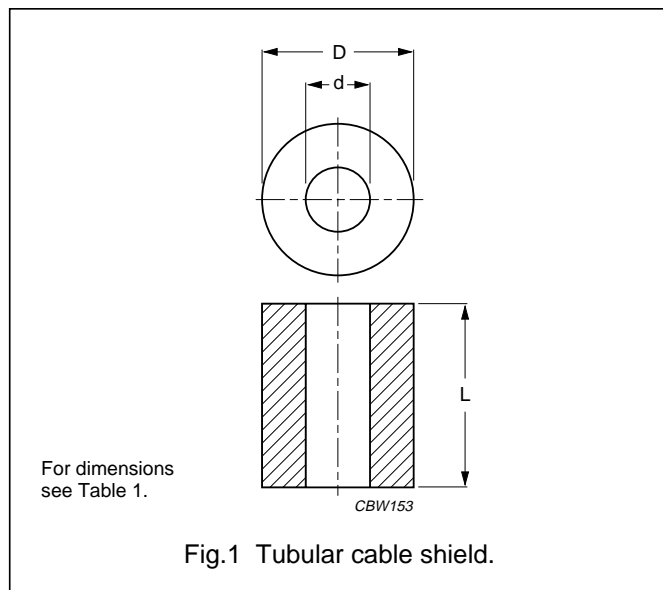


Table 1 Type numbers, dimensions and parameters; see Fig.1

TYPE NUMBER		DIMENSIONS			$ Z _{typ}^{(1)}$ (Ω) at	
		D	d	L	25 MHz	100 MHz
CST7.8/5.3/9.8-3S4	des	7.8 \pm 0.2	5.3 +0.3	9.8 \pm 0.2	33	50
CST8.3/3.5/10-3S4	des	8.3 -0.4	3.5 +0.3	10 -0.6	70	96
CST9.5/4.8/6.4-4S2	des	9.5 \pm 0.25	4.75 \pm 0.25	6.35 \pm 0.35	23	50
CST9.5/4.8/10-4S2	des	9.5 \pm 0.25	4.75 \pm 0.25	10.4 \pm 0.25	53	80
CST9.5/4.8/19-4S2	des	9.5 \pm 0.25	4.75 \pm 0.25	19.05 \pm 0.7	100	145
CST9.5/5.1/15-3S4	des	9.5 \pm 0.3	5.1 \pm 0.15	14.5 \pm 0.45	66	110
CST9.7/5/5.1-4S2	des	9.65 \pm 0.25	5 \pm 0.2	5.05 -0.45	26	43
CST14/6.4/29-4S2	des	14.3 \pm 0.45	6.35 \pm 0.25	28.6 \pm 0.75	170	250
CST14/7.3/29-4S2	des	14.3 \pm 0.45	7.25 \pm 0.15	28.6 \pm 0.75	143	215
CST16/7.9/14-4S2	des	16.25 -0.75	7.9 \pm 0.25	14.3 \pm 0.35	70	113
CST16/7.9/29-4S2	des	16.25 -0.75	7.9 \pm 0.25	28.6 \pm 0.75	130	213
CST17/9.5/13-3S4	des	17.45 \pm 0.35	9.53 \pm 0.25	12.7 \pm 0.5	55	90
CST17/9.5/13-4S2	des	17.45 \pm 0.4	9.5 \pm 0.25	12.7 \pm 0.5	55	88
CST17/9.5/29-3S4	des	17.45 \pm 0.35	9.53 \pm 0.25	28.55 \pm 0.75	125	200
CST17/9.5/29-4S2	des	17.45 \pm 0.35	9.53 \pm 0.25	28.55 \pm 0.75	125	250
CST17/11/60-3S4	des	17.2 -1.2	11 \pm 0.5	60 -2.5	200	320
CST19/10/29-4S2	des	19 -0.65	10.15 \pm 0.25	28.6 \pm 0.75	128	196
CST19/11/12-3S4	des	19 \pm 0.4	10.6 \pm 0.3	11.5 \pm 0.4	50	75
CST26/13/29-4S2	des	25.9 \pm 0.75	12.8 \pm 0.25	28.6 \pm 0.8	145	225
CST29/19/7.5-4S2	des	29 \pm 0.75	19 \pm 0.5	7.5 \pm 0.25	28	47

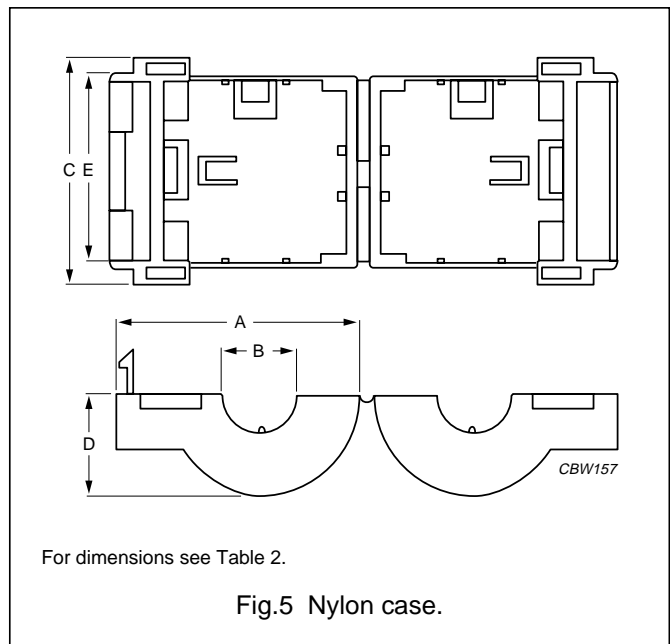
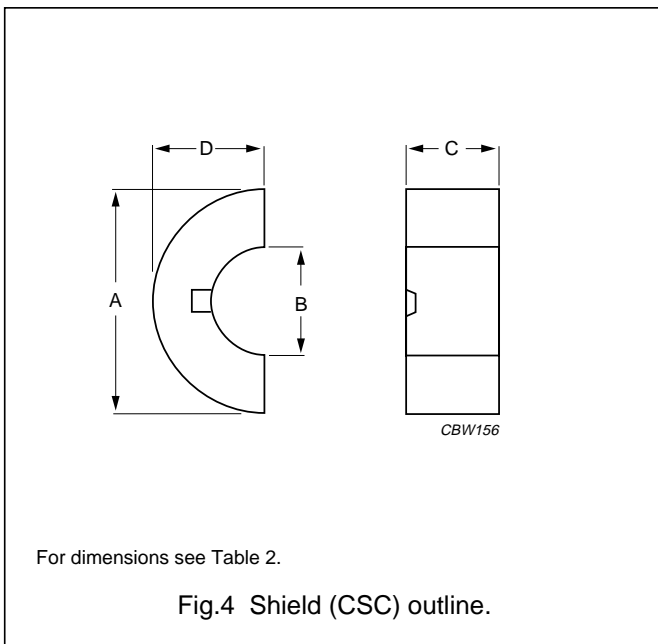
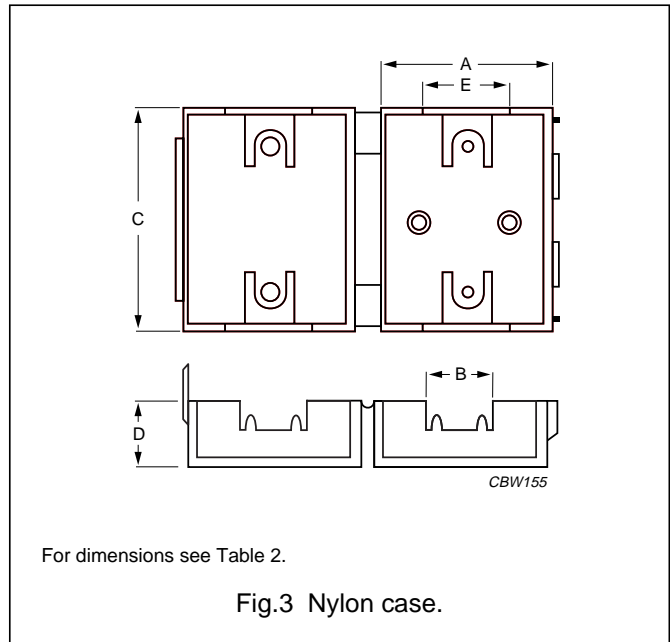
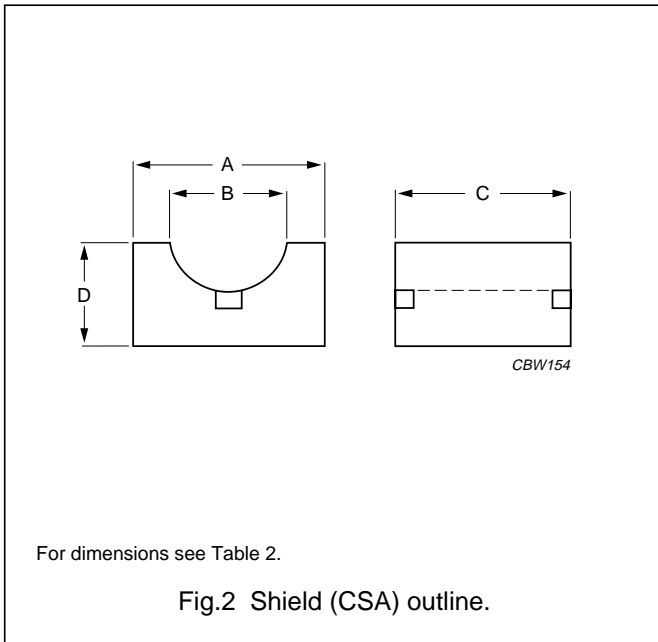
Note

1. Minimum guaranteed impedance is $|Z|_{typ} - 20\%$.

Soft Ferrites

Cable shields

Round cable shields (split)











General data

ITEM	SPECIFICATION
Case material	polyamide (PA66), glass reinforced, flame retardant in accordance with "UL94V-0", grade A82, colour black

Soft Ferrites

Cable shields

Table 2 Type numbers, dimensions and parameters; see Figs 2 to 3

TYPE NUMBER	FIG.	DIMENSIONS					$ Z _{\text{typ}}^{(1)}$ (Ω) at		
		A	B	C	D	E	25 MHz	100 MHz	
Round cable shields									
CSA15/7.5/29-4S2		2	15 ±0.25	6.6 ±0.3	28.6 ±0.8	7.5 ±0.15	–	165	275
CSA19/9.4/29-4S2		2	18.65 ±0.4	10.15 ±0.3	28.6 ±0.8	9.4 ±0.15	–	140	225
CSA26/13/29-4S2		2	25.9 ±0.5	13.05 ±0.3	28.6 ±0.8	12.8 ±0.25	–	155	250
CSC16/7.9/14-4S2		4	15.9 ±0.4	7.9 ±0.3	14.3 ±0.4	7.95 ±0.2	–	50	113
Round cable shields in matching nylon cases									
CSA15/7.5/29-4S2-EN		2+3	17.9	7.0	32.3	9.2	9.0	165	275
Nylon case		3	17.9	7.0	32.3	9.2	9.0	–	–
CSA19/9.4/29-4S2-EN		2+3	22.1	10.2	32.3	11.7	9.0	140	225
Nylon case		3	22.1	10.2	32.3	11.7	9.0	–	–
CSA26/13/29-4S2-EN		2+3	29	13.4	32.5	14.8	18.0	155	250
Nylon case		3	29	13.4	32.5	14.8	18.0	–	–
CSC16/7.9/14-4S2-EN		4+5	24.7	7.6	22.8	10.2	17.8	50	113
Nylon case		5	24.7	7.6	22.8	10.2	17.8	–	–

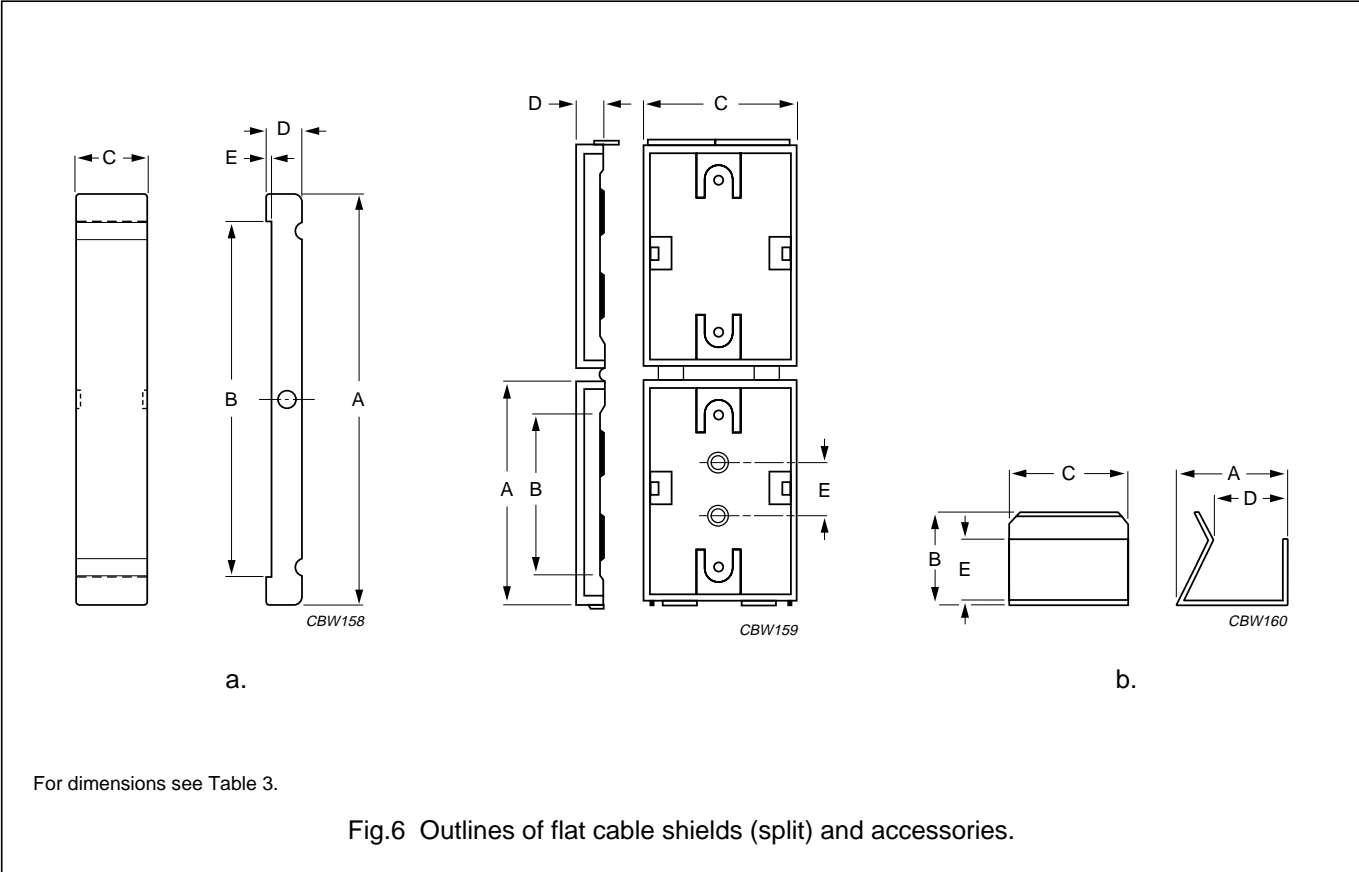
Note

1. Minimum guaranteed impedance is $|Z|_{\text{typ}} - 20\%$.

Soft Ferrites

Cable shields

Flat cable shields (split)



Soft Ferrites

Cable shields

General data

ITEM	SPECIFICATION
Case material	polyamide (PA66), glass reinforced, flame retardant in accordance with "UL94V-0", grade A82, colour black
Clip material	spring steel (0.5 mm), zinc plated

Table 3 Type numbers, dimensions and parameters; see Fig.6

TYPE NUMBER	FIG.	DIMENSIONS					$ Z _{\text{typ}}^{(1)}$ (Ω) at		
		A	B	C	D	E	25 MHz	100 MHz	
Flat cable shields (split)									
CSU45/6.4/29-4S2 des	6a	45.1 ±0.75	34.4 ±0.7	28.6 ±0.7	6.35 ±0.25	0.85 ±0.2	96	225	
CSU76/6.4/13-3S4 des	6a	76.2 ±1.5	65.3 ±1.3	12.7 ±0.4	6.35 ±0.25	0.85 ±0.2	36	110	
CSU76/6.4/15-3S4 des	6a	76.2 ±1.5	65.3 ±1.3	15.0 ±0.6	6.35 ±0.25	0.85 ±0.2	50	159	
CSU76/6.4/29-4S2 des	6a	76.2 ±1.5	65.3 ±1.3	28.6 ±0.8	6.35 ±0.25	0.85 ±0.2	75	215	
CSU76/6.4/29-3S4 des	6a	76.2 ±1.5	65.3 ±1.3	28.6 ±0.8	6.35 ±0.25	0.85 ±0.2	70	235	
CLI-CSU6.4 des	6c	16.1	11.0	12.7	11.4	8.0	–	–	
Flat cable shields in matching nylon cases									
CSU45/6.4/29-4S2-EN des	6a+b	49.5	34.3	32.3	8.1	20	96	225	
Nylon case	6b	49.5	34.3	32.3	8.1	20	–	–	
CSU76/6.4/29-4S2-EN des	6a+b	80.8	65.5	32.3	8.1	50.8	75	215	
Nylon case	6b	80.8	65.5	32.3	8.1	50.8	–	–	

Note

1. Minimum guaranteed impedance is $|Z|_{\text{typ}} - 20\%$.

Soft Ferrites

Cable shields

Flat cable shields

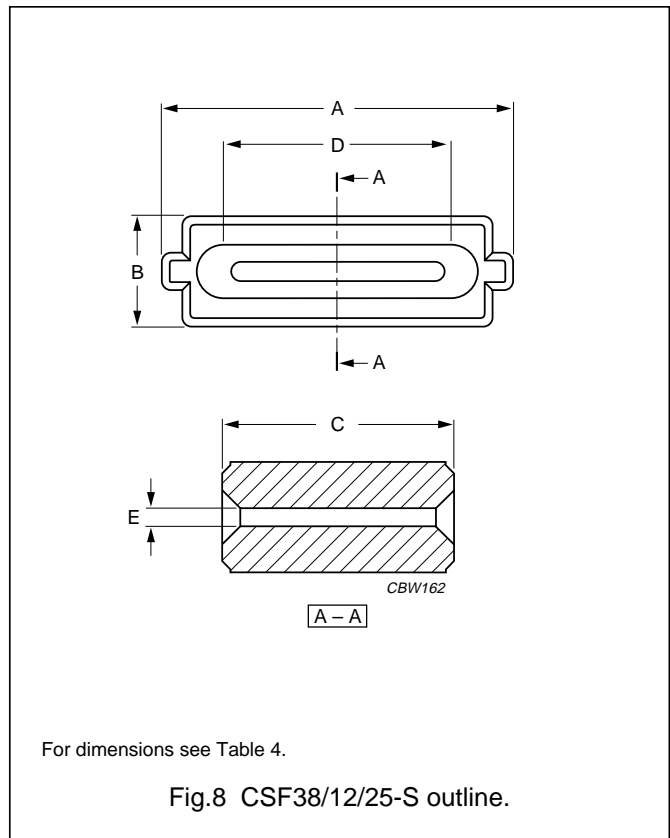
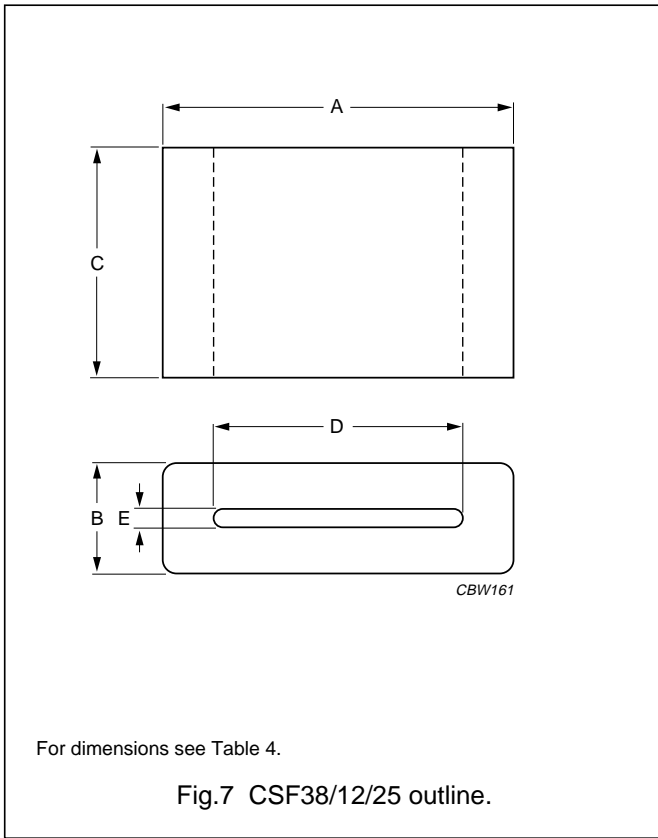


Table 4 Type numbers, dimensions and parameters; see Figs 7 and 8

TYPE NUMBER	FIG.	DIMENSIONS					$ Z _{typ}^{(1)}$ (Ω) at	
		A	B	C	D	E	25 MHz	100 MHz
Flat cable shields								
CSF38/12/25-3S4	7	38.1 \pm 1.0	12.1 \pm 0.35	25.4 \pm 0.75	26.7 \pm 0.75	1.9 \pm 0.35	110	215
CSF38/12/25-3S4-S	8	38.5 \pm 0.6	12.1 \pm 0.4	25.4 \pm 0.8	26.8 \pm 0.8	1.9 \pm 0.4	98	196

Note

1. Minimum guaranteed impedance is $|Z|_{typ} - 20\%$.