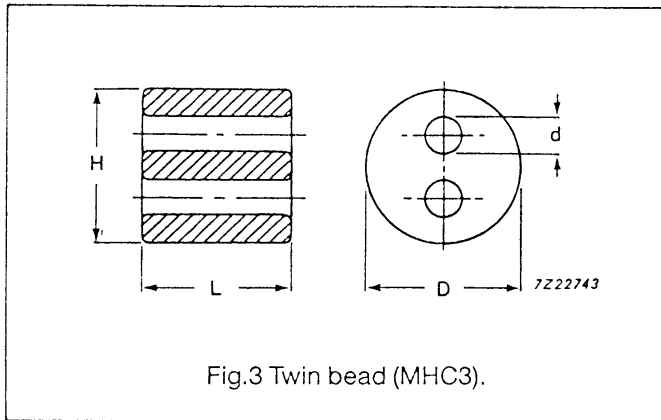
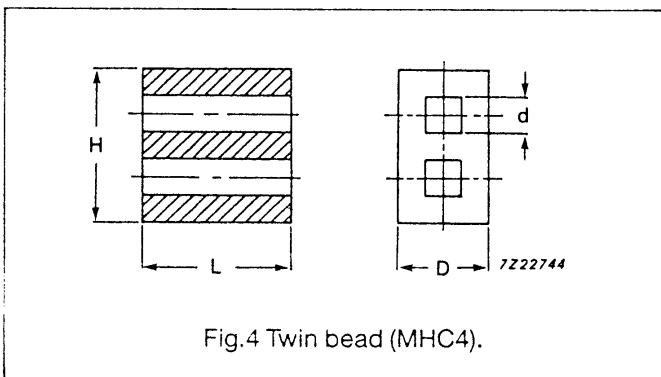


Soft Ferrites

Multi-hole cores



GRADE	DIMENSIONS			ORDERING CODE
	D (mm)	d (mm)	L (mm)	
4B1	5.6 ± 0.15	1.5 ± 0.15	12 ± 0.2	4330 030 3274



GRADE	DIMENSIONS				ORDERING CODE
	D (mm)	d (mm)	L (mm)	H (mm)	
4A11	5.4 ± 0.3	2.0 ± 0.3	10.9 ± 0.3	10.8 ± 0.3	4313 020 2057
3C85	5.4 ± 0.3	2.0 ± 0.3	10.9 ± 0.3	10.8 ± 0.3	4313 020 2080

Material grade specification

4A11

SYMBOL	CONDITIONS	VALUE	UNIT
μ_i	≤ 10 kHz, 0.1 mT, 25 °C	$700 \pm 20\%$	
B	10 kHz, 250 A/m, 25 °C	≈ 270	mT
	10 kHz, 250 A/m, 100 °C	≈ 180	mT
$\tan\delta/\mu_i$	1 MHz, 0.1 mT, 25 °C	$\leq 100 \cdot 10^{-6}$	
	3 MHz, 0.1 mT, 25 °C	$\leq 1000 \cdot 10^{-6}$	
ρ	DC, 25 °C	$\approx 10^5$	Ωm
T_c		≥ 125	°C
density		≈ 5100	kg/m ³

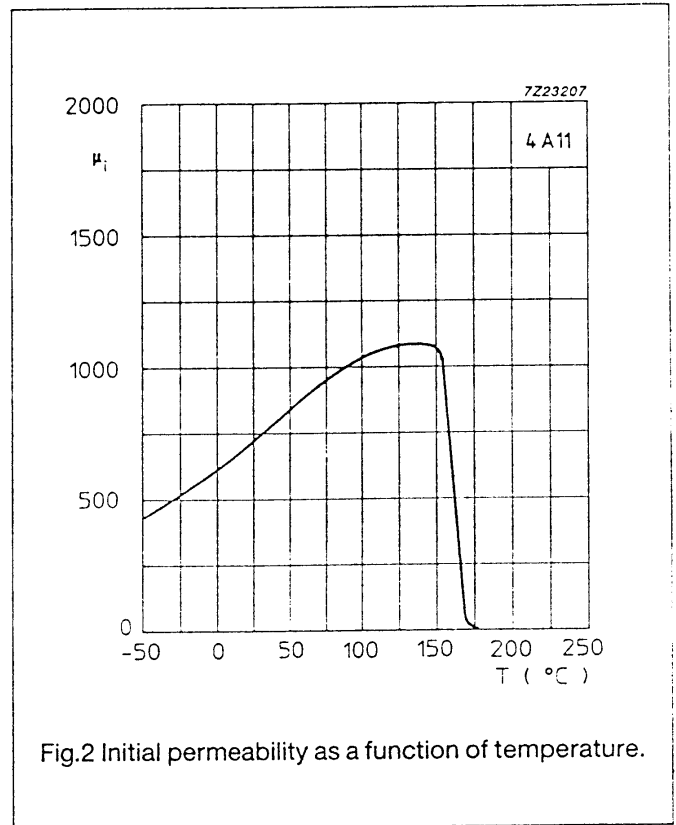


Fig.2 Initial permeability as a function of temperature.

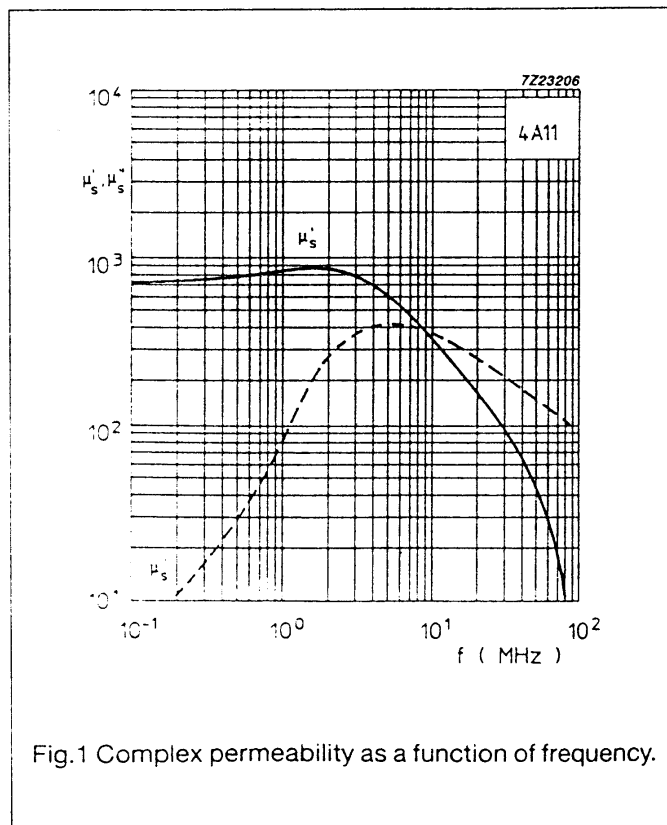


Fig.1 Complex permeability as a function of frequency.

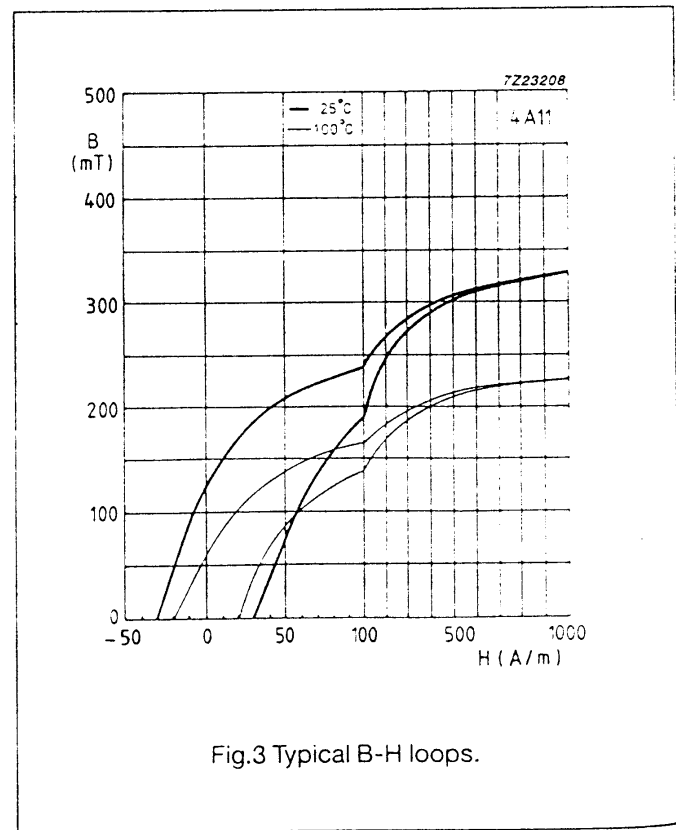


Fig.3 Typical B-H loops.