

Soft Ferrites

Tubes

TUBES

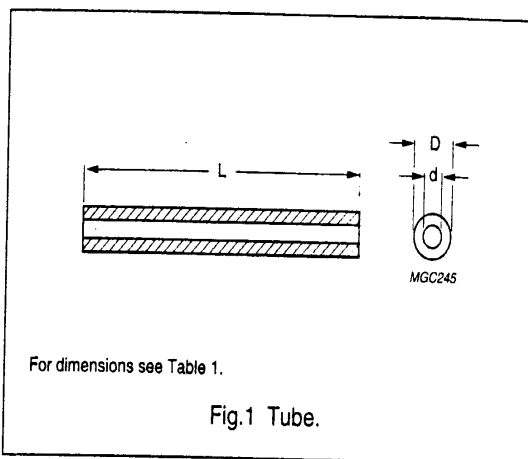


Table 1 Grades, parameters and type numbers; see Fig.1

DIMENSIONS (mm)			TYPE NUMBER		
D	d	L	4B1	3B1	3C90
3.1-0.02	1.3+0.2	18.8-0.5	-	TUB3.1/1.3/19-3B1-DL ^{sup}	-
3.5 +0.1/-0.2	1.3+0.2	3.0+0.5	-	TUB3.5/1.3/3-3B1 ^{sup}	-
3.5±0.2	1.3+0.2	7.5+0.5	-	TUB3.5/1.3/7.5-3B1 ^{sup}	-
3.7-0.4	1.2+0.2	3.5-0.5	TUB3.7/1.2/3.5-4B1 ^{sup}	TUB3.7/1.2/3.5-3B1 ^{sup}	-
3.8±0.1	2.8±0.1	8±0.25	TUB3.8/2.8/8-4B1 ^{sup}	-	-
4.0-0.25	1.6+0.15	40-1.6	TUB4/1.6/40-4B1 ^{sup}	-	-
4±0.2	2±0.2	5±0.5	-	TUB4/2/5-3B1 ^{sup}	-
4±0.1	3+0.2	9.45+0.75	TUB4/3/9.5-4B1 ^{sup}	-	-
4.1+0.1	2+0.2	7±0.2	-	TUB4.1/2/7-3B1-D ^{sup}	-
4.1+0.1	2+0.2	11±0.2	-	TUB4.1/2/11-3B1-D ^{sup}	-
4.1-0.2	2+0.2	25.5-1	TUB4.1/2/26-4B1 ^{sup}	-	-
4.15-0.05	2+0.2	12.2-0.4	TUB4.2/2/12-4B1-DL ^{sup}	-	-
4.3-0.2	2+0.2	15.4-0.8	TUB4.3/2/15-4B1 ^{sup}	TUB4.3/2/15-3B1 ^{sup}	-
4.3-0.2	2+0.2	25.5-1	-	TUB4.3/2/26-3B1 ^{sup}	-
5.0-0.30	2.0+0.2	50±1	-	-	TUB5/2/50-3C90 ^{sup}
5.3-0.2	3.0+0.2	22.4-0.8	-	TUB5.3/3/22-3B1 ^{sup}	-
6.0-0.3	3.0+0.2	20-0.9	-	TUB6/3/20-3B1 ^{sup}	TUB6/3/20-3C90 ^{sup}
6.0-0.3	3.0+0.2	30-1.2	-	-	TUB6/3/30-3C90 ^{sup}
8.0-0.4	4.0+0.3	20-0.9	TUB8/4/20-4B1 ^{sup}	TUB8/4/20-3B1 ^{sup}	-
8.0-0.4	4.0+0.3	40-1.6	-	TUB8/4/40-3B1 ^{sup}	-
9.5±0.3	6.5±0.2	17+0.5/-0.4	-	TUB9.5/6.5/17-3B1 ^{sup}	-
10.0-0.5	4.2+0.3	20-0.9	-	TUB10/4.2/20-3B1 ^{sup}	-

Material grade specification

3B1

3B1 SPECIFICATIONS

SYMBOL	CONDITIONS	VALUE	UNIT
μ_i	25 °C; ≤ 10 kHz; 0.1 mT	900 $\pm 20\%$	
B	25 °C; 10 kHz; 250 A/m 100 °C; 10 kHz; 250 A/m	≈ 330 ≈ 200	mT
$\tan\delta/\mu_i$	25 °C; 450 kHz; 0.1 mT	$\leq 50 \times 10^{-6}$	
ρ	DC; 25 °C	≈ 0.2	Ωm
T_C		≥ 150	°C
density		≈ 4800	kg/m^3

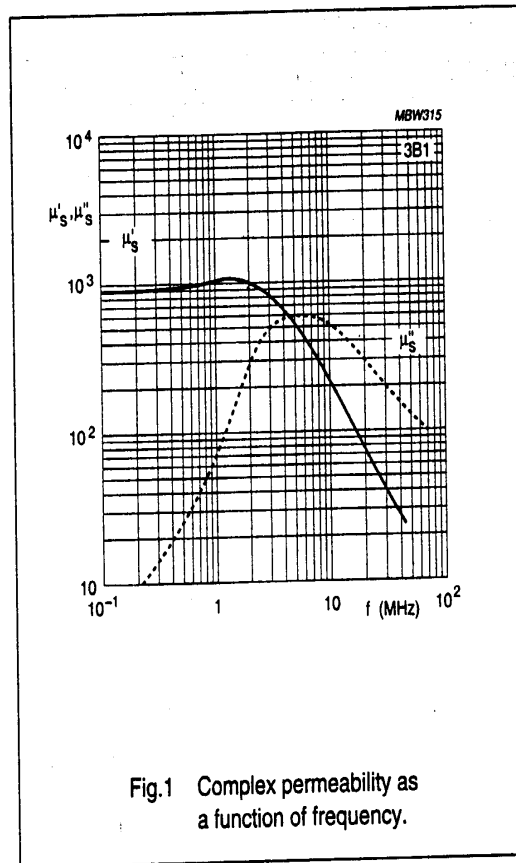


Fig.1 Complex permeability as a function of frequency.

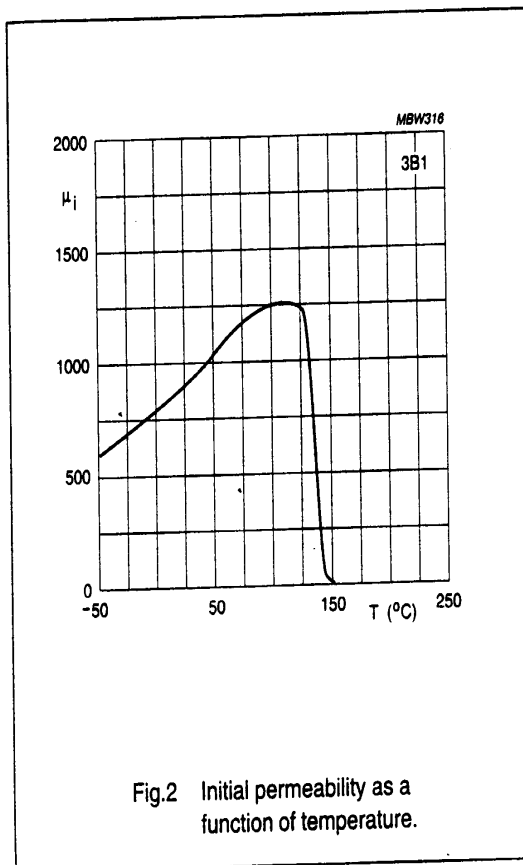


Fig.2 Initial permeability as a function of temperature.

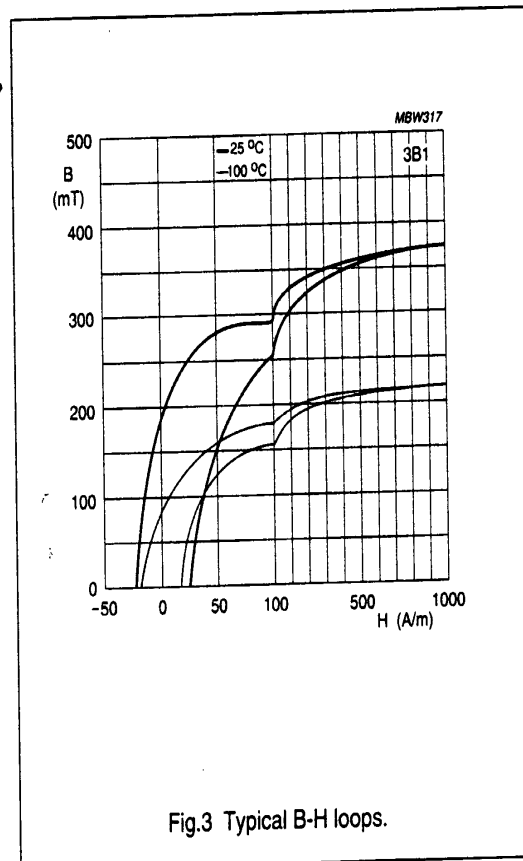


Fig.3 Typical B-H loops.