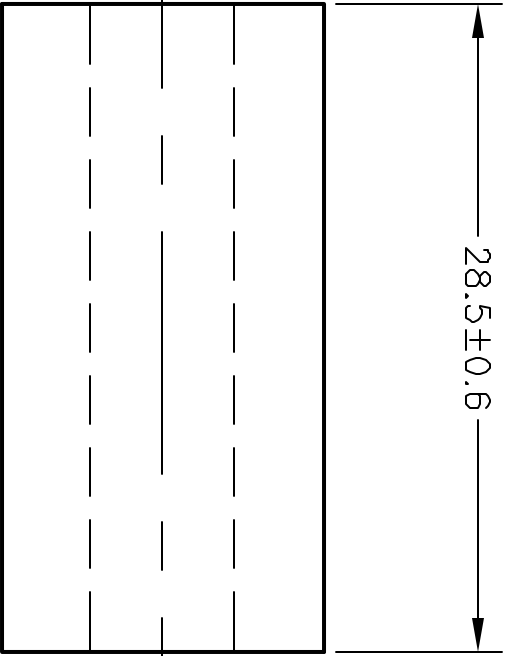
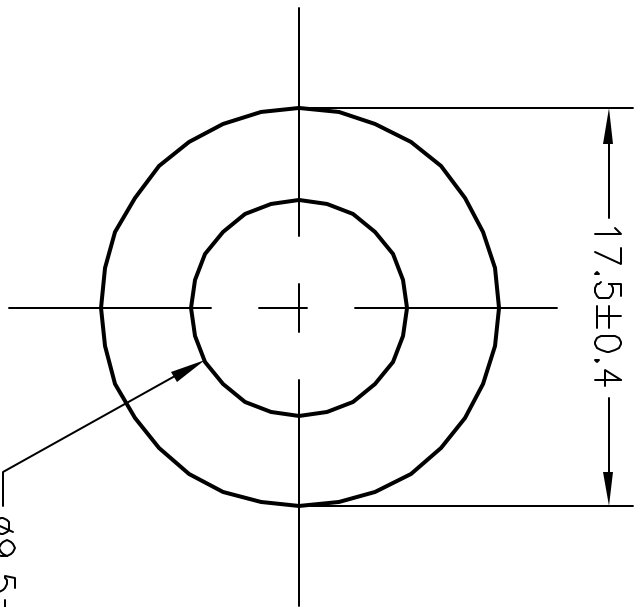
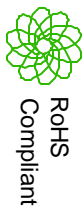


ALL RIGHTS RESERVED. NO PORTION OF THIS PUBLICATION, WHETHER IN WHOLE OR IN PART CAN BE REPRODUCED WITHOUT THE EXPRESS WRITTEN CONSENT OF SPC TECHNOLOGY.

| REVISIONS |     | DOC. NO. SPC-F005 | Effective 12/21/08 | DCP No 890 |         |          |         |          |
|-----------|-----|-------------------|--------------------|------------|---------|----------|---------|----------|
| DCP #     | REV | DESCRIPTION       | DRAWN              | DATE       | CHECK'D | DATE     | APPR'VD | DATE     |
| 1865      | A   | Released          | JWM                | 7/2/03     | JN      | 08/15/08 | JN      | 08/15/08 |



**NOTES:**

- Material: K5B 178 Ohms
- Color: Gray
- Electrical Requirements
  - $Z_1 = 86^{-0}$  Ohm at 25 MHz
  - $Z_2 = 125^{-0}$  Ohm at 100 MHz

**DISCLAIMER:**  
 ALL STATEMENTS AND TECHNICAL INFORMATION CONTAINED HEREIN ARE BASED UPON INFORMATION AND/OR TESTS WE BELIEVE TO BE ACCURATE AND RELIABLE. SINCE CONDITIONS OF USE ARE BEYOND OUR CONTROL, THE USER SHALL DETERMINE THE SUITABILITY OF THE PRODUCT FOR THE INTENDED USE AND ASSUME ALL RISK AND LIABILITY WHATSOEVER IN CONNECTION THEREWITH.

UNLESS OTHERWISE SPECIFIED, DIMENSIONS ARE FOR REFERENCE PURPOSES ONLY.

|               |          |
|---------------|----------|
| DRAWN BY:     | DATE:    |
| Jeff McVicker | 7/2/03   |
| CHECKED BY:   | DATE:    |
| Jason Nash    | 08/15/08 |
| APPROVED BY:  | DATE:    |
| Jason Nash    | 08/15/08 |

**SPC TECHNOLOGY**

|                |          |                     |               |
|----------------|----------|---------------------|---------------|
| DRAWING TITLE: |          | Ferrite Bead Core   |               |
| SIZE           | DWG. NO. | ELECTRONIC FILE     | REV           |
| A              | SPC5306  | 50N672.dwg          | A             |
| SCALE:         | NTS      | U.O.M.: INCHES [mm] | SHEET: 1 OF 1 |