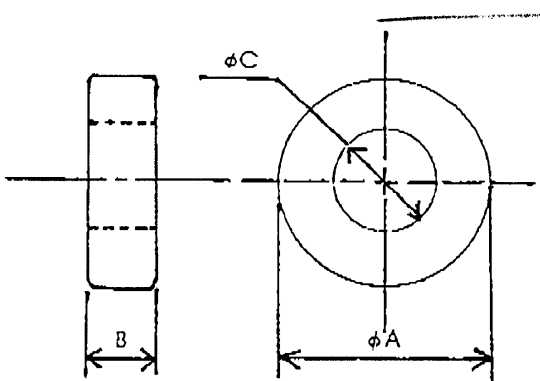


2 Pages

SPECIFICATION FOR APPROVAL

CUSTOMER : FARNELL		DATE : NOV. 02, 1999	
PART NO. : 33RI 20X10X10		DWG.NO. : RI-012	
(1) MECHANICAL ASSEMBLY P/n: 3234939 		A	20.0 ± 0.5 mm
		B	10.0 ± 0.3 mm
		C	10.0 ± 0.3 mm
		D	mm
		E	mm
		F	mm
		G	mm
		H	mm
		I	mm

(2) ELECTRICAL REQUIREMENTS				(3) SCHEMATIC	
		L			
		C		PF	
		Q			
		SRF		MHZ	
		RDC		OHM	
		IDC		mA	
TEST FREQ	25 MHZ	Z		45 ⁻⁰ OHM	
TEST FREQ	100 MHZ	Z		120 ⁻⁰ OHM	

(4) TEST INSTRUMENTS
 HP 4191A RF IMPEDENCE ANALYZER

MAT'L	SPEC.	APPROVED BY
CORE		于全保
WIRE	0.8 φ 2UEW X 220 mm	CHECKED BY
WINDING	0.5 TS	林思訓
		DRAWN BY
		曹智銘

恆 祈 企 業 股 份 有 限 公 司 EASY MAGNET CORP.

TEST DATA FOR PREPRODUCTION SAMPLES

CUSTOMER : FARNELL					DATE : NOV. 02, 1999	
PART NO. : 33RI 20X10X10					DWG.NO. : RI-012	
MEAS. ITEM	Z (OHM)	Z (OHM)	Z (OHM)	A M/M	B M/M	C M/M
YOUR						
SUGGEST	45 ⁻⁰	120 ⁻⁰		20 ± 0.5	10 ± 0.3	10 ± 0.3
TEST FREQ.	25MHZ	100MHZ	MHZ			
1	72	164		19.99	10.05	10.00
2	73	165		20.00	10.11	10.02
3	71	164		20.00	10.04	10.04
4	71	163		20.06	10.10	10.04
5	71	164		20.09	10.09	10.05
6	71	164		20.04	10.11	10.04
7	72	164		20.05	10.08	10.04
8	72	164		20.01	10.05	10.03
9	72	164		20.04	10.04	10.02
10	72	164		20.05	10.09	10.05
11						
12						
13						
14						
15						
\bar{X}	71.7	164		20.033	10.076	10.033
R	2	2		0.10	0.07	0.05
TEST CONDITION: TEMP. 22 °C R.H. 75 %					APPROVED BY 子金保	
					CHECKED BY 林思副	
					DRAWN BY 曹智銘	

恆 祈 企 業 股 份 有 限 公 司 EASY MAGNET CORP.

