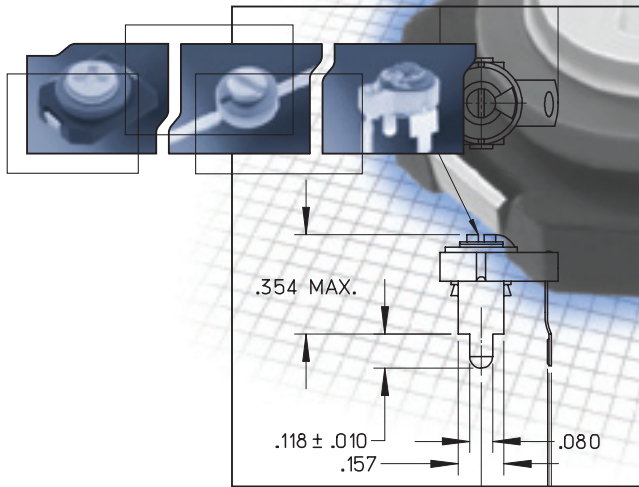


VALUE PRICED

CERAMIC TRIMMERS

In addition to Johanson's high performance line of low profile trimmers, Johanson Manufacturing offers a full range of surface mount capacitors that are designed and priced for high volume commercial applications.

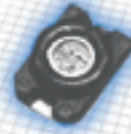


9350 SERIES

The 9350 Series trimmers are single turn, ceramic dielectric capacitors designed for high volume commercial applications.

CHARACTERISTICS

- Working Voltage: See Table
- Insulation Resistance: > 10⁴ MΩ
- Temperature Range: -25°C to +85°C
- Tuning Tool: 2194
- Packaging: 1000 Pieces in a 7" Reel
- RoHS Compliant



JMC P/N	RANGE PF	MIN Q @ 1 MHz	WORKING VOLTAGE	COLOR CODE
9350-1R1	1.5 TO 3.0	>500	100 VDC	BLACK
9350-2R1	2.0 TO 6.0	>500	100 VDC	BLUE
9350-3R1	3.0 TO 10.0	>500	50 VDC	IVORY
9350-4R1	5.0 TO 20.0	>500	50 VDC	PINK
9350-5R1	8.0 TO 30.0	>500	50 VDC	GREEN

RECOMMENDED SOLDER PATTERN	ROTOR TERMINAL	COLOR CODED HOUSING
1.4 (0.055) 5 (0.197) (0.118) 3 4.5 (0.177)	2.2 (0.087) 3.2 (0.126) 1.5 ± 0.1 (0.059)	1 (0.039) 0.8 (0.031) 0.4 (0.016) 0.9 (0.035) 0.75 (0.030)

mm (inches)

Specifications provided are typical and for reference only. Specifications are subject to change, and may be discontinued without advance notice.



9344 SERIES

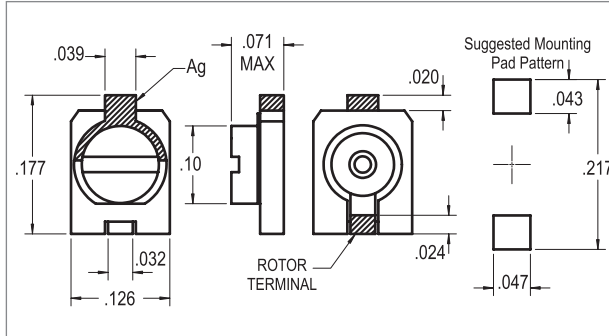
The 9344 Series trimmers are single turn, ceramic dielectric capacitors designed for high volume commercial applications.

CHARACTERISTICS

- Working Voltage: 100 VDC (220 VDC Test)
- Insulation Resistance: $> 10^4 M\Omega$
- Temperature Range: $-25^{\circ}C$ to $+85^{\circ}C$
- Tuning Tool: 8764
- Packaging: 1000 Pieces in a 7" Reel
- RoHS Compliant



JMC P/N	RANGE PF	MIN Q @1 MHz	COLOR CODE
9344-1R1	1.4 TO 3.0	>500	BLACK
9344-2R1	2.0 TO 6.0	>500	BLUE
9344-3R1	3.0 TO 10.0	>500	NONE
9344-4R1	4.5 TO 20.0	>300	RED
9344-5R1	6.0 TO 30.0	>300	GREEN

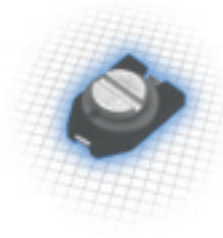


9343 SERIES

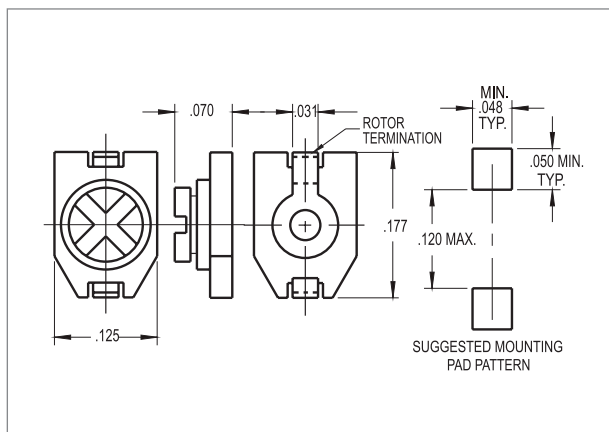
These trimmer capacitors are single turn, ceramic dielectric and ideal for high volume commercial applications. These capacitors are sealed and suitable for reflow soldering.

CHARACTERISTICS

- Working Voltage: 50 VDC (110 VDC Test)
- Insulation Resistance: $> 10^4 M\Omega$
- Temperature Range: $-25^{\circ}C$ to $+85^{\circ}C$
- Tuning Tool: 2191
- Packaging: 1000 Pieces in a 7" Reel
- RoHS Compliant



JMC P/N	RANGE PF	MIN Q @1 MHz
9343-11R1	1.0 TO 3.0	>300
9343-12R1	1.5 TO 5.0	>300
9343-13R1	2.0 TO 5.0	>300
9343-14R1	1.5 TO 10.0	>300
9343-15R1	2.5 TO 10.0	>300
9343-16R1	3.0 TO 10.0	>300
9343-17R1	5.0 TO 20.0	>300
9343-18R1	5.0 TO 30.0	>300
9343-19R1	5.0 TO 40.0	>300

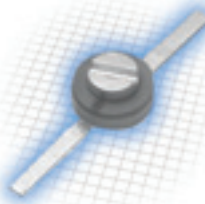


9341 SERIES

The 9341 Series offers a wide range of capacitance, ideal for applications where small size is a design criterion.

CHARACTERISTICS

- Working Voltage: 50 VDC (110 VDC Test)
- Insulation Resistance: $> 10^4 M\Omega$
- Temperature Range: $-25^{\circ}C$ to $+85^{\circ}C$
- Tuning Tool: 8766
- RoHS Compliant



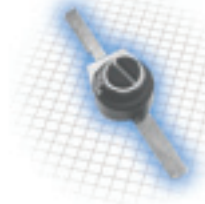
JMC P/N	RANGE PF	MIN Q @1 MHz
9341-15L	1.0 to 3.0	>200
9341-25L	1.5 to 5.0	>200
9341-35L	1.5 to 10.0	>200
9341-45L	2.5 to 10.0	>200
9341-55L	5.0 to 20.0	>200
9341-65L	5.0 to 25.0	>200
9341-75L	5.0 to 30.0	>200
9341-85L	5.0 to 35.0	>200
9341-95L	6.0 to 40.0	>200

9385 SERIES

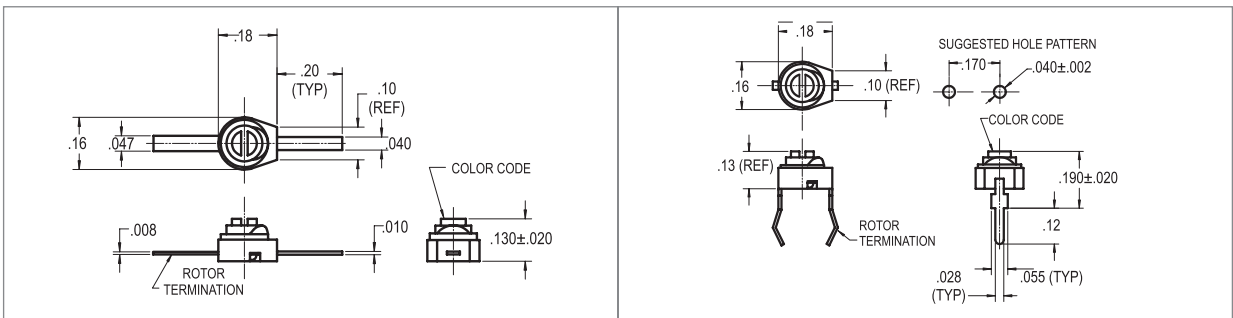
The 9385 ceramic trimmer capacitor offers the advantages of high frequency operation, miniature size, and remarkable cost effectiveness.

CHARACTERISTICS

- Working Voltage: 50 VDC (110 VDC Test)
- Insulation Resistance: $> 10^4 M\Omega$
- Temperature Range: $-30^{\circ}C$ to $+85^{\circ}C$
- Tuning Tool: 8777
- RoHS Compliant



JMC P/N	RANGE PF	MIN Q @10 MHz	COLOR CODE	JMC P/N	RANGE PF	MIN Q @10 MHz	COLOR CODE
9385-15L	1.2 to 3.0	>500	BLACK	9385-1PC	1.2 to 3.0	>500	BLACK
9385-25L	1.4 to 5.0	>500	RED	9385-2PC	1.4 to 5.0	>500	RED
9385-35L	1.8 to 9.0	>300	NONE	9385-3PC	1.8 to 9.0	>300	NONE
9385-45L	2.8 to 18.0	>300	BLUE	9385-4PC	2.8 to 18.0	>300	BLUE
9385-55L	4.0 to 28.0	>200	YELLOW	9385-5PC	4.0 to 28.0	>200	YELLOW

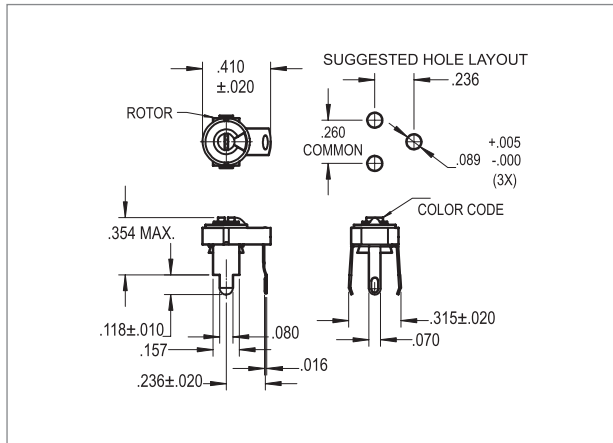
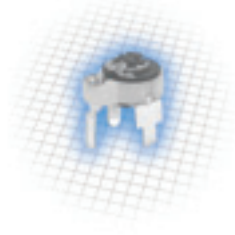


9300 SERIES

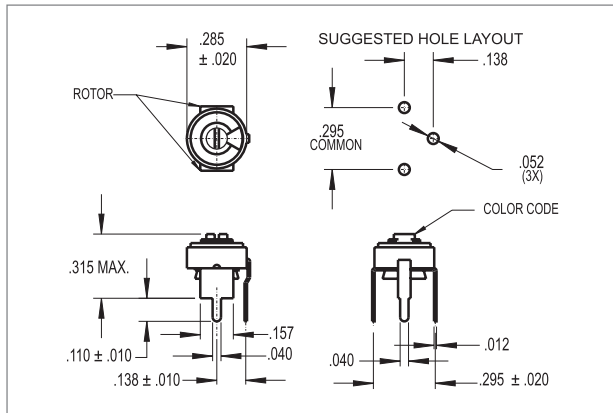
These ceramic trimmer capacitors are designed for broadband applications, from audio 500 MHz, and afford an ideal low cost means of trimming circuitry.

CHARACTERISTICS

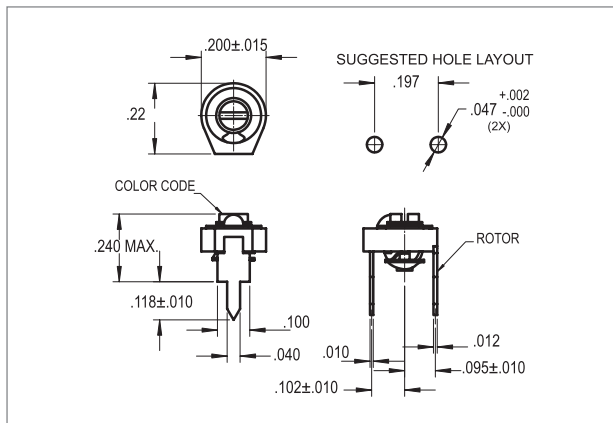
- Working Voltage: 250 VDC (500 VDC Test)
- Insulation Resistance: > 10⁴ MΩ
- Temperature Range: -55°C to +85°C
- Tuning Tool: 8764
- Packaging: Bulk
- RoHS Compliant



JMC P/N	RANGE PF	MIN Q @10 MHz	COLOR CODE
9300	2.8 TO 8.0	>300	RED
9301	2.0 TO 12.0	>300	NONE
9302	2.5 TO 23.0	>300	BLUE
9303	4.0 TO 34.0	>300	ORANGE
9304	5.5 TO 45.0	>200	BROWN
9305	6.0 TO 55.0	>200	GREEN
9314	6.0 TO 60.0	>200	PINK
9315	6.0 TO 70.0	>200	GRAY
9328	12.0 TO 100.0	>200 @ 1 MHz	WHITE



JMC P/N	RANGE PF	MIN Q @10 MHz	COLOR CODE
9306	2.0 TO 8.0	>300	RED
9307	2.0 TO 12.0	>300	NONE
9308	2.5 TO 23.0	>300	BLUE
9309	4.0 TO 34.0	>300	ORANGE
9310	5.5 TO 45.0	>200	BROWN
9311	6.0 TO 55.0	>200	GREEN



JMC P/N	RANGE PF	MIN Q @10 MHz	COLOR CODE
9371	1.8 TO 5.0	>300	BLACK
9372	3.0 TO 10.0	>300	NONE
9373	3.5 TO 18.0	>300	BLUE
9374	5.0 TO 25.0	>300	PURPLE
9376	9.0 TO 50.0	>200 @ 1 MHz	GREEN

