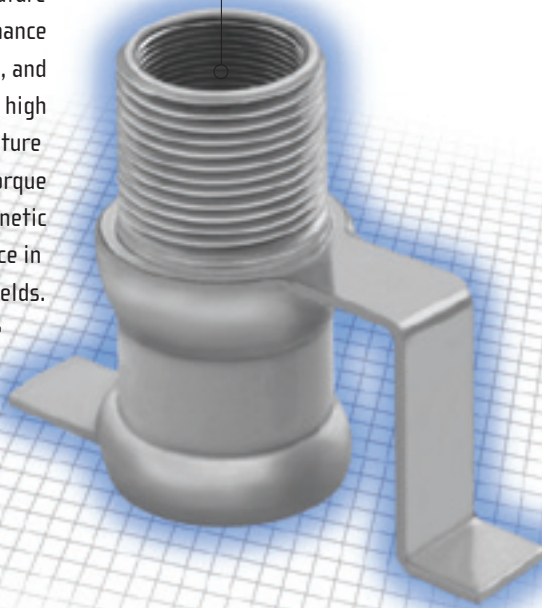


NON-MAGNETIC CAPACITORS

Non-magnetic Capacitors are specifically designed for low magnetic signature applications such as Magnetic Resonance Imaging, Nuclear Magnetic Resonance, and other medical applications. These high stability Non-magnetic Capacitors feature the one piece self locking constant torque mechanism along with special non-magnetic construction for superior performance in very high strength magnetic fields. Non-magnetic Capacitors are available in multi-turn and single turn styles and various configurations.



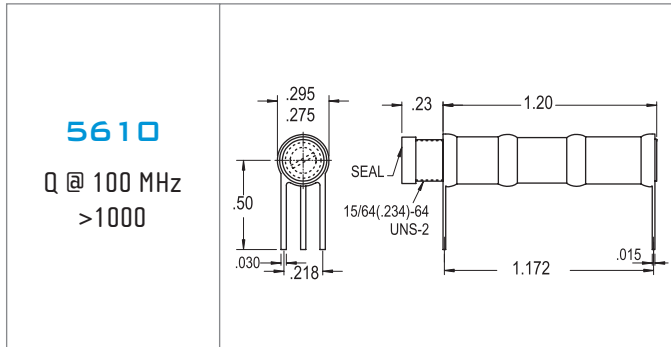
CHARACTERISTICS

- Working Voltage: From 250 VDC to 5000 VDC
- Long Rotational life
- Insulation Resistance: > 10⁶ MΩ
- Temperature range: -65°C to +125°C
- RoHS Compliant

WORKING VOLTAGE	CAPACITANCE RANGE	SERIES	Q	PAGE
5000 VDC	1 TO 7.5 pF	5610	> 1000 @100MHz	2
1250 VDC	1.5 TO 10 pF	52H	> 1400 @195MHz	2
1000 VDC	1.5 TO 19 pF	55H	> 1000 @175MHz	2
	1 TO 25 pF	59H	> 1000 @175MHz	2,3
	2 TO 30 pF	56H	> 1000 @175MHz	3
250 VDC	.4 TO 3.5 pF	5860	> 10000 @100MHz	3
	.6 TO 6.0 pF	5760	> 10000 @100MHz	3,4
	.8 TO 10 pF	5240	> 4000 @100MHz	4
	1 TO 30 pF	5640	> 800 @100MHz	4
250 VDC (90° TO 180° RESOLUTION)	UP TO 50 pF	THIN-TRIM	SEE DATASHEET	THIN-TRIM
	UP TO 22 pF	CERA-TRIM	SEE DATASHEET	CERA-TRIM
	UP TO 50 pF	SEAL-TRIM	SEE DATASHEET	SEAL-TRIM

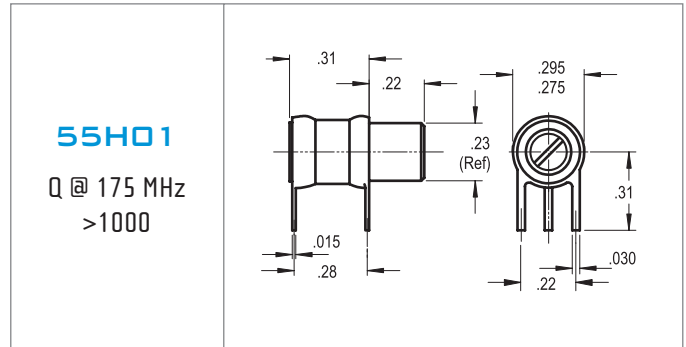
5000 VDC - 1 TO 7.5 pF

- Capacitance Range: 1 to 7.5 pF (>26 turns)
- Working Voltage: 5000 VDC (9000 VDC Test)
- Torque: 1 to 5.0 oz. In.
- Tuning Tool: 8764
- Gold, Silver, Chromate Finish
- RoHS Compliant



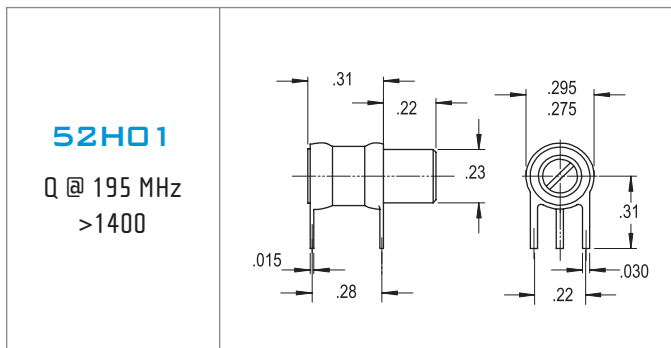
1000 VDC - 1 TO 19 pF

- Capacitance Range: 1.5 to 19 pF (>18 turns)
- Working Voltage: 1000 VDC (2000 VDC Test)
- Torque: 1 to 5.0 oz. In.
- Tuning Tool: 8764
- Gold, Silver, Chromate Finish
- RoHS Compliant



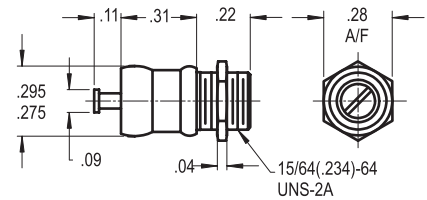
1250 VDC - 1 TO 10 pF

- Capacitance Range: 1.5 to 10 pF (>18 turns)
- Working Voltage: 1250 VDC (2500 VDC Test)
- Torque: 1 to 5.0 oz. In.
- Tuning Tool: 8764
- Gold, Silver, Chromate Finish
- RoHS Compliant



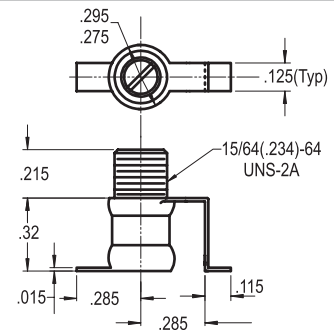
55H02

Q @ 175 MHz
>1000



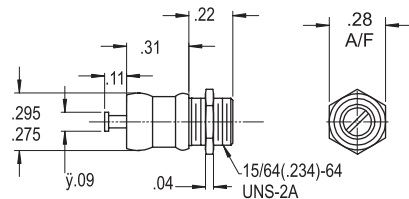
80H85

Q @ 175 MHz
>1000



52H02

Q @ 195 MHz
>1400



1000 VDC - 1 TO 25 pF

- Capacitance Range: 1 to 25 pF (>23 turns)
- Working Voltage: 1000 VDC (2000 VDC Test)
- Torque: 1 to 5.0 oz. In.
- Tuning Tool: 8764
- Gold, Silver, Chromate Finish
- RoHS Compliant

1000 VDC - 1 TO 25 pF

<p>59H01</p> <p>Q @ 175 MHz >1000</p>	
<p>59H18</p> <p>Q @ 175 MHz >1000</p>	

1000 VDC - 2 TO 30 pF

- Capacitance Range: 2 to 30 pF (>25 turns)
- Working Voltage: 1000 VDC (2000 VDC Test)
- Torque: 1 to 5.0 oz. In.
- Tuning Tool: 8764
- Gold, Silver, Chromate Finish
- RoHS Compliant

<p>56H01</p> <p>Q @ 175 MHz >1000</p>	
<p>56H02</p> <p>Q @ 175 MHz >1000</p>	

250 VDC - 0.4 TO 3.5 pF

- Capacitance Range: .4 to 3.5 pF (>9 turns)
- Working Voltage: 250 VDC (500 VDC Test)
- Torque: .3 to 3.0 oz. In.
- Tuning Tool: 8766
- Gold, Silver, Chromate Finish
- RoHS Compliant

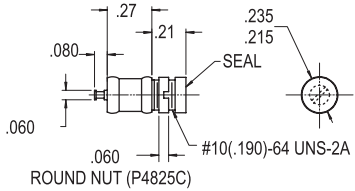
<p>5862</p> <p>Q @ 100 MHz >10000</p>	
---	--

250 VDC - 0.6 TO 6.0 pF

- Capacitance Range: .6 to 6 pF (>8 turns)
- Working Voltage: 250 VDC (500 VDC Test)
- Torque: .4 to 4.0 oz. In.
- Tuning Tool: 8764
- Gold, Silver, Chromate Finish
- RoHS Compliant

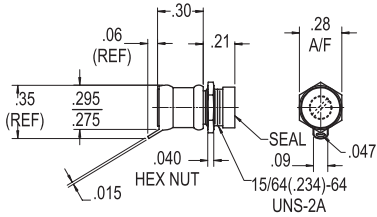
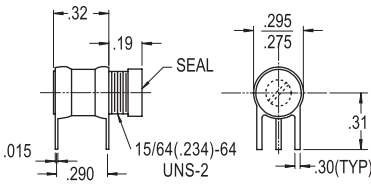
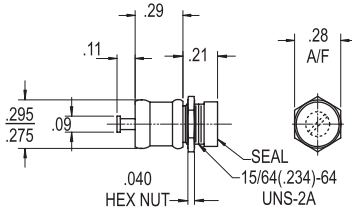
<p>5760</p> <p>Q @ 100 MHz >10000</p>	
<p>5761</p> <p>Q @ 100 MHz >10000</p>	

250 VDC - 0.6 TO 6 PF

<p>5762</p> <p>Q @ 100 MHz >10000</p>	
---	---

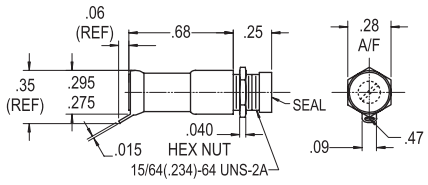
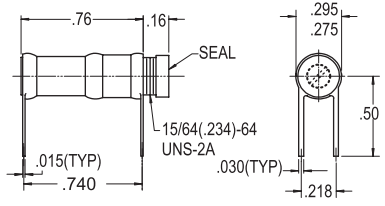
250 VDC - 0.8 TO 10 PF

- Capacitance Range: .8 to 10 pF (>6 turns)
- Working Voltage: 250 VDC (500 VDC Test)
- Torque: 1 to 5.0 oz. In.
- Tuning Tool: 8764
- Gold, Silver, Chromate Finish
- RoHS Compliant

<p>5240</p> <p>Q @ 100 MHz >4000</p>	
<p>5241</p> <p>Q @ 100 MHz >4000</p>	
<p>5242</p> <p>Q @ 100 MHz >4000</p>	

250 VDC - 1 TO 30 PF

- Capacitance Range: 1 to 30 pF (>23 turns)
- Working Voltage: 250 VDC (500 VDC Test)
- Torque: 1 to 5.0 oz. In.
- Tuning Tool: 8764
- Gold, Silver, Chromate Finish
- RoHS Compliant

<p>5640</p> <p>Q @ 100 MHz >800</p>	
<p>5641</p> <p>Q @ 100 MHz >800</p>	
<p>5642</p> <p>Q @ 100 MHz >800</p>	