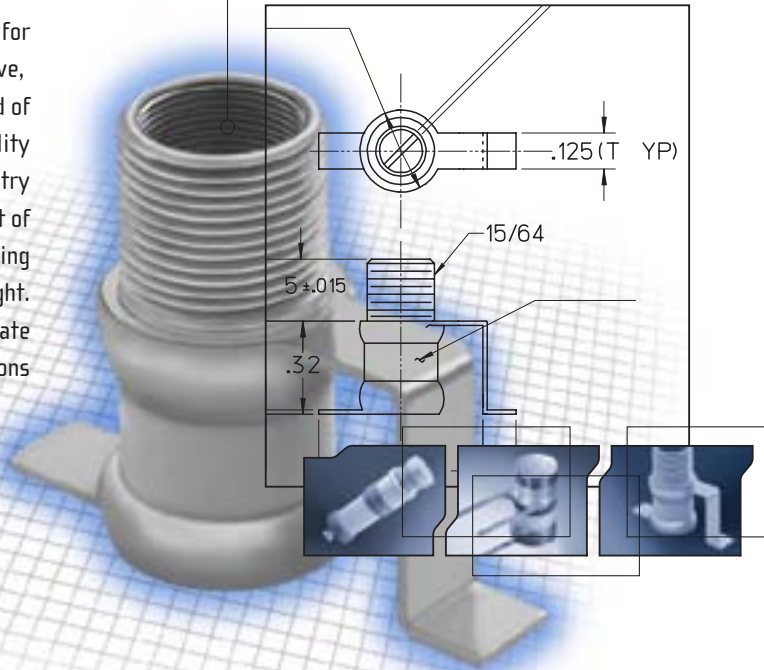


AIR CAPACITORS

Air Capacitors are designed specifically for RF applications, VHF through microwave, and have become the industry standard of excellence. High Q and temperature stability are a result of proper attention to geometry and choice of optimum materials. The heart of this trimmer is the one piece self-locking constant drive mechanism illustrated to the right. This mechanism utilizes transverse slots to create a spring effect between two threaded sections resulting in substantial contact areas which insure uniform torque, high Q and low dynamic tuning noise.



APPLICATIONS

- RF amplifier and oscillators
- Impedance matching
- Interstage coupling
- Filter tuning
- Crystal trimming

CHARACTERISTICS

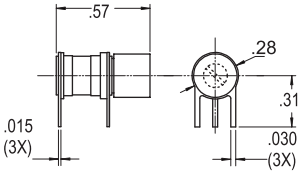
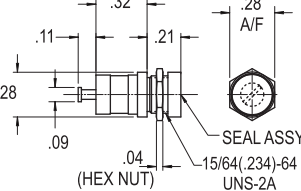
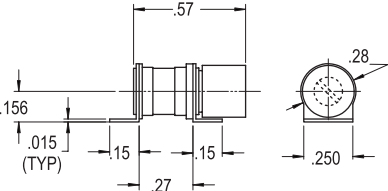
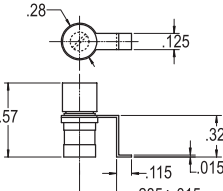
- Working Voltage: 250 VDC (500 VDC Test)
- Long Rotational life
- Insulation resistance: > 10⁶ MΩ
- Temperature range: -65°C to +125°C
- RoHS Compliant

CAPACITANCE RANGE	SERIES	Q @ 250 MHZ	PAGE
0.35 TO 3.5 pF	5800	> 10000	2
0.5 TO 5 pF	5850	> 7500	2
0.6 TO 6 pF	5700	> 10000	2,3
0.8 TO 10 pF OR 1 TO 10 pF	1500	> 4000 @195MHz	2
	5200	> 5000	3
	5750	> 7500	3
	5300	> 2000	4
1 TO 14 pF	5400	> 3000	3,4
1 TO 16 pF	5450	> 3000	4
1 TO 20 pF	5500	> 1500	4
1 TO 30 pF	5600	> 800	4



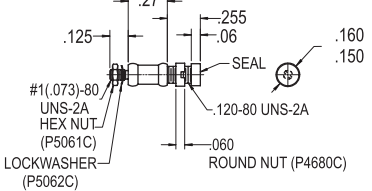
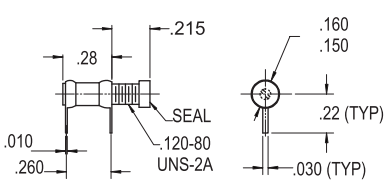
1 TO 10 pF

- Lead-Solderless design
- Capacitance Range: 1.0 to 10.0 pF (>8 turns)
- Working Voltage: 250 VDC (500 VDC Test)
- Torque: 1 to 5.0 oz. In.
- Tuning Tool: 8764
- RoHS Compliant

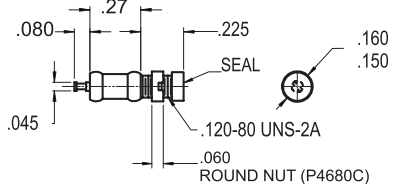
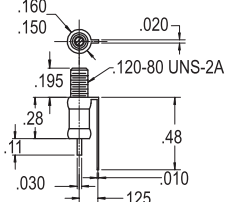
<p>1501 Q @ 195 MHz >4000</p>	
<p>1502 Q @ 195 MHz >4000</p>	
<p>1518 Q @ 195 MHz >4000</p>	
<p>1585 Q @ 195 MHz >4000</p>	

0.35 TO 3.5 pF

- Capacitance Range: .35 to 3.5 pF (>9 turns)
- Working Voltage: 250 VDC (500 VDC Test)
- Torque: .3 to 3 oz. In.
- Tuning Tool: 8766
- RoHS Compliant

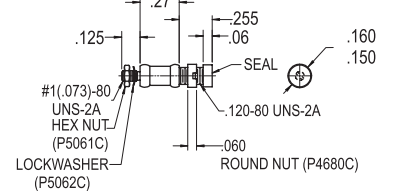
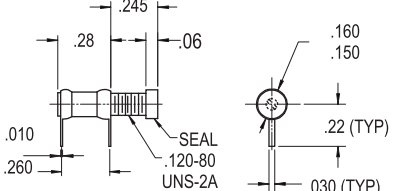
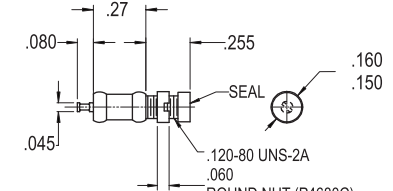
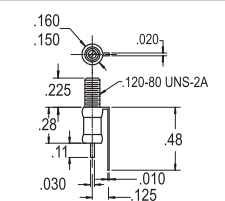
<p>5800 Q @ 100 MHz >10000</p>	
<p>5801 Q @ 100 MHz >10000</p>	

0.35 TO 3.5 pF

<p>5802 Q @ 100 MHz >10000</p>	
<p>8051 (0.6 to 3.5 pF) Q @ 100 MHz >10000</p>	

0.5 TO 5 pF

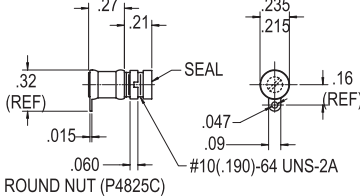
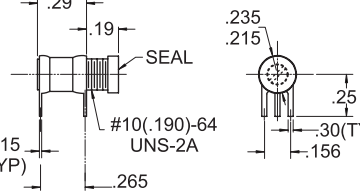
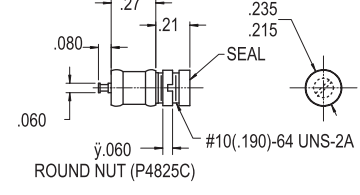
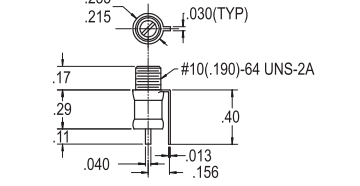
- Capacitance Range: .5 to 5 pF (>12 turns)
- Working Voltage: 250 VDC (500 VDC Test)
- Torque: .3 to 3 oz. In.
- Tuning Tool: 8764
- RoHS Compliant

<p>5850 Q @ 100 MHz >7500</p>	
<p>5851 Q @ 100 MHz >7500</p>	
<p>5852 Q @ 100 MHz >7500</p>	
<p>5853 (0.6 to 5 pF) Q @ 100 MHz >7500</p>	

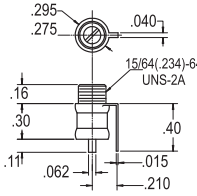
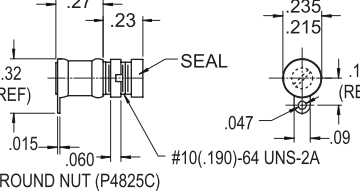
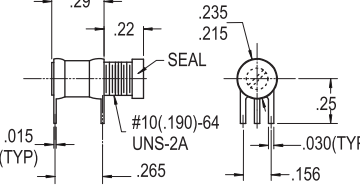
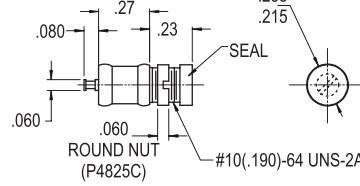
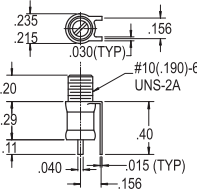
0.6 TO 6 pF

- Capacitance Range: .6 to 6 pF (>7 turns)
- Working Voltage: 250 VDC (500 VDC Test)
- Torque: .4 to 4 oz. In.
- Tuning Tool: 8764
- RoHS Compliant

0.6 TO 6 pF

<p>5700 Q @ 100 MHz >10000</p>	
<p>5701 Q @ 100 MHz >10000</p>	
<p>5702 Q @ 100 MHz >10000</p>	
<p>8050 Q @ 100 MHz >10000</p>	

0.8 TO 10 pF

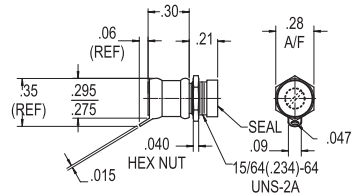
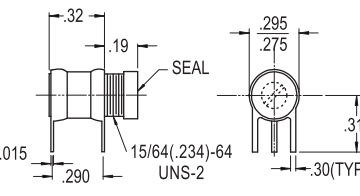
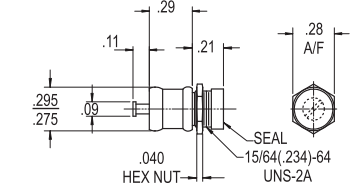
<p>8052 Q @ 100 MHz >5000</p>	
<p>5750 Q @ 100 MHz >7500</p>	
<p>5751 Q @ 100 MHz >7500</p>	
<p>5752 Q @ 100 MHz >7500</p>	
<p>5753 (0.6 to 5 pF) Q @ 100 MHz >7500</p>	

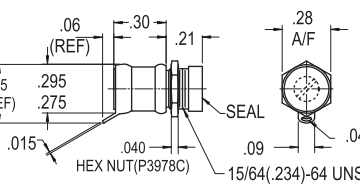
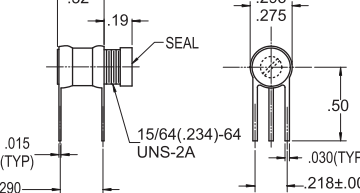
0.8 TO 10 pF

- Capacitance Range: .8 to 10 pF (>6 turns)
- Working Voltage: 250 VDC (500 VDC Test)
- Torque: 1 to 5 oz. In. (52XX) or .4 to 4 oz. In. (575X)
- Tuning Tool: 8764
- RoHS Compliant

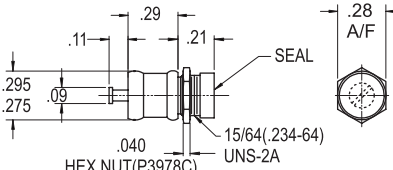
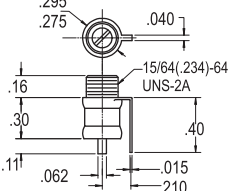
1 TO 14 pF

- Capacitance Range: 1 to 14 pF (>6 turns)
- Working Voltage: 250 VDC (500 VDC Test)
- Torque: 1 to 5.0 oz. In.
- Tuning Tool: 8764
- RoHS Compliant

<p>5200 Q @ 100 MHz >5000</p>	
<p>5201 Q @ 100 MHz >5000</p>	
<p>5202 Q @ 100 MHz >5000</p>	

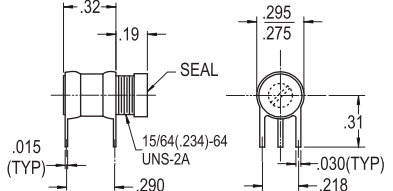
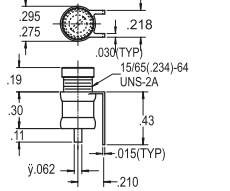
<p>5400 Q @ 100 MHz >3000</p>	
<p>5401 Q @ 100 MHz >3000</p>	

1 TO 14 pF

<p>5402</p> <p>Q @ 100 MHz >3000</p>	
<p>8053</p> <p>(1.5 to 14 pF)</p> <p>Q @ 100 MHz >1500</p>	

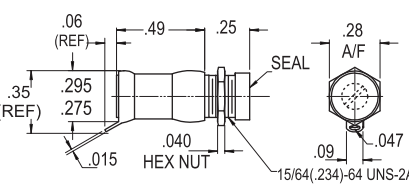
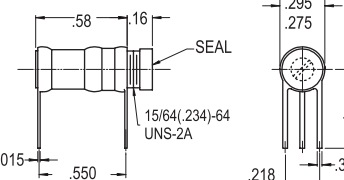
1 TO 16 pF

- Capacitance Range: 1 to 16 pF (>6 turns)
- Working Voltage: 250 VDC (500 VDC Test)
- Torque: 1 to 5 oz. In.
- Tuning Tool: 8764
- RoHS Compliant

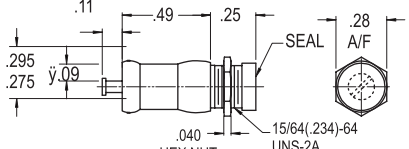
<p>5451</p> <p>Q @ 100 MHz >3000</p>	
<p>5453</p> <p>Q @ 100 MHz >3000</p>	

1 TO 20 pF

- Capacitance Range: 1 to 20 pF (>12 turns)
- Working Voltage: 250 VDC (500 VDC Test)
- Torque: 1 to 5 oz. In.
- Tuning Tool: 8764
- RoHS Compliant

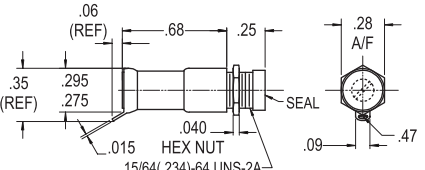
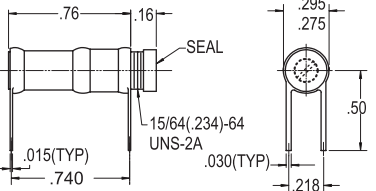
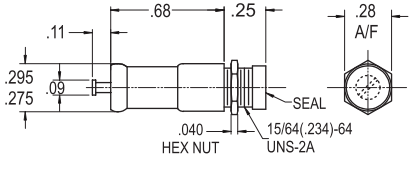
<p>5500</p> <p>Q @ 100 MHz >1500</p>	
<p>5501</p> <p>Q @ 100 MHz >1500</p>	

1 TO 20 pF

<p>5502</p> <p>Q @ 100 MHz >1500</p>	
--	---

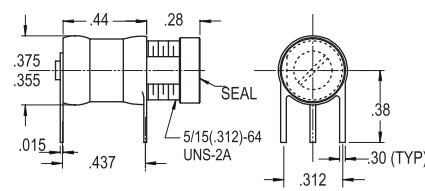
1 TO 30 pF

- Capacitance Range: 1.0 to 10.0 pF (>20 turns)
- Working Voltage: 250 VDC (500 VDC Test)
- Torque: 1 to 5.0 oz. In.
- Tuning Tool: 8764
- RoHS Compliant

<p>5600</p> <p>Q @ 100 MHz >800</p>	
<p>5601</p> <p>Q @ 100 MHz >800</p>	
<p>5602</p> <p>Q @ 100 MHz >800</p>	

1 TO 10 pF (500 VDC)

- Capacitance Range: 1.0 to 10.0 pF (>10 turns)
- Working Voltage: 500 VDC (1000 VDC Test)
- Torque: 1 to 5.0 oz. In.
- Tuning Tool: 8764
- RoHS Compliant

<p>5301</p> <p>Q @ 100 MHz >2000</p>	
<p>5302</p> <p>Q @ 100 MHz >2000</p>	